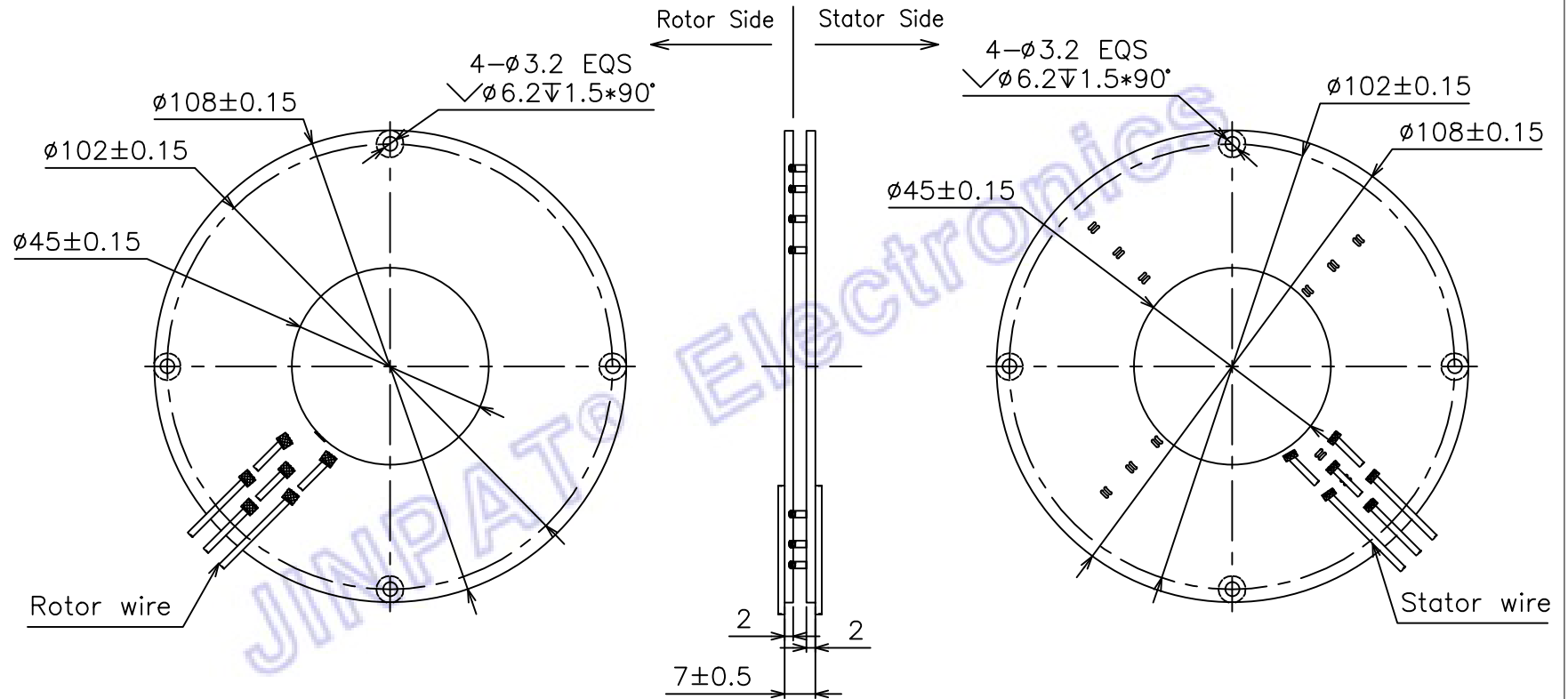

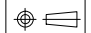


| MARK | CONTENT OF AMENDMENT | DATE | DRAW |
|------|----------------------|------|------|
| | | | |
| | | | |
| | | | |

This document is the property of JINPAT Electronics Co., Ltd (ShenZhen) (Hereafter "JINPAT"). It is lent and is to be returned upon request. The contents of this document are confidential and constitute trade secrets proprietary to JINPAT. Its contents document nor its contents shall be disclosed to any unauthorized person copied or published without JINPAT prior written consent.
 COPY RIGHT © 2018 JINPAT ELECTRONICS Co., Ltd (ShenZhen).



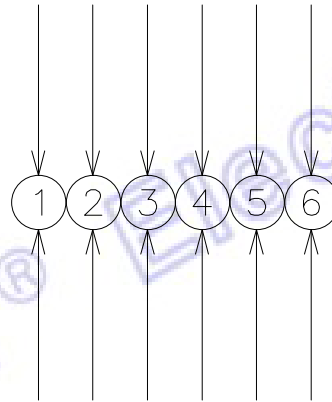
| | | | | | | | |
|--|---------------|---|--|---------|-----------------|------|------------|
|  JINPAT www.slipring.cn | MODEL | LPKS045-0605 | | | | | |
| | Customer code | / | | TITLE | Outline Drawing | | |
| | UNIT | mm | TOL UNLESS SPECIFIED | DESIGN | CSJ | DATE | 2018.05.11 |
| | SCALE | 1:1 | LINEAR 0--18 ±0.1 >18--80 ±0.15 >80--250 ±0.2 | CHECKED | PYX | DATE | 2018.05.11 |
| | PROJ. |  | ANGLE x' ±0.5° | REV. | AO | PAGE | 1/2 |

| MARK | CONTENT OF AMENDMENT | DATE | DRAW |
|------|----------------------|------|------|
| | | | |
| | | | |
| | | | |

This document is the property of JINPAT Electronics Co., Ltd (ShenZhen) (Hereafter "JINPAT"). It is lent and is to be returned upon request. The contents of this document are confidential and constitute trade secrets proprietary to JINPAT. Its contents document nor its contents shall be disclosed to any unauthorized person copied or published without JINPAT prior written consent.
COPY RIGHT © 2018 JINPAT ELECTRONICS Co., Ltd (ShenZhen).

AWG20#
Tenflon® UL

Stator Side ↑
Rotor Side ↓



6 Circuits * 5A

Note:

1. The inner ring is the first ring and the outer ring is the sixth ring;
2. There are idle pads and loops.

| Electronic & Electric | | Mechanical | | |
|-----------------------|--------|---------------|--|--------------------------|
| Circuits | Total | 6 CKT | Working Speed | 0~100rpm |
| | Detail | 6x5A | Inner Diameter | φ45mm |
| Rating Voltage | | 240V | Contact Material | Precious Metal |
| Dielectric Strength | | 300VAC@50Hz | Housing Material | FR-4 |
| Insulation Resistance | | ≥300MΩ@300VDC | Lead Wire Length | Stator:300mm Rotor:300mm |
| Environment | | Remarks | | |
| Working Temperature | | -20°C~+60°C | Application | / |
| Working Humidity | | ≤60%RH | Other | / |
| IP | | / | Note: "P" stands for power, "S" stands for signal. | |



| MODEL | LPKS045-0605 | | | | | |
|---------------|--------------|--|---------|----------------|------|------------|
| Customer code | / | | TITLE | Wiring Diagram | | |
| UNIT | mm | TOL UNLESS SPECIFIED LINEAR 0--18 ±0.1 >18--80 ±0.15 >80--250 ±0.2 x' ANGLE ±0.5' | DESIGN | CSJ | DATE | 2018.05.11 |
| SCALE | 1:1 | | CHECKED | PYX | DATE | 2018.05.11 |
| PROJ. | | | REV. | AO | PAGE | 2/2 |