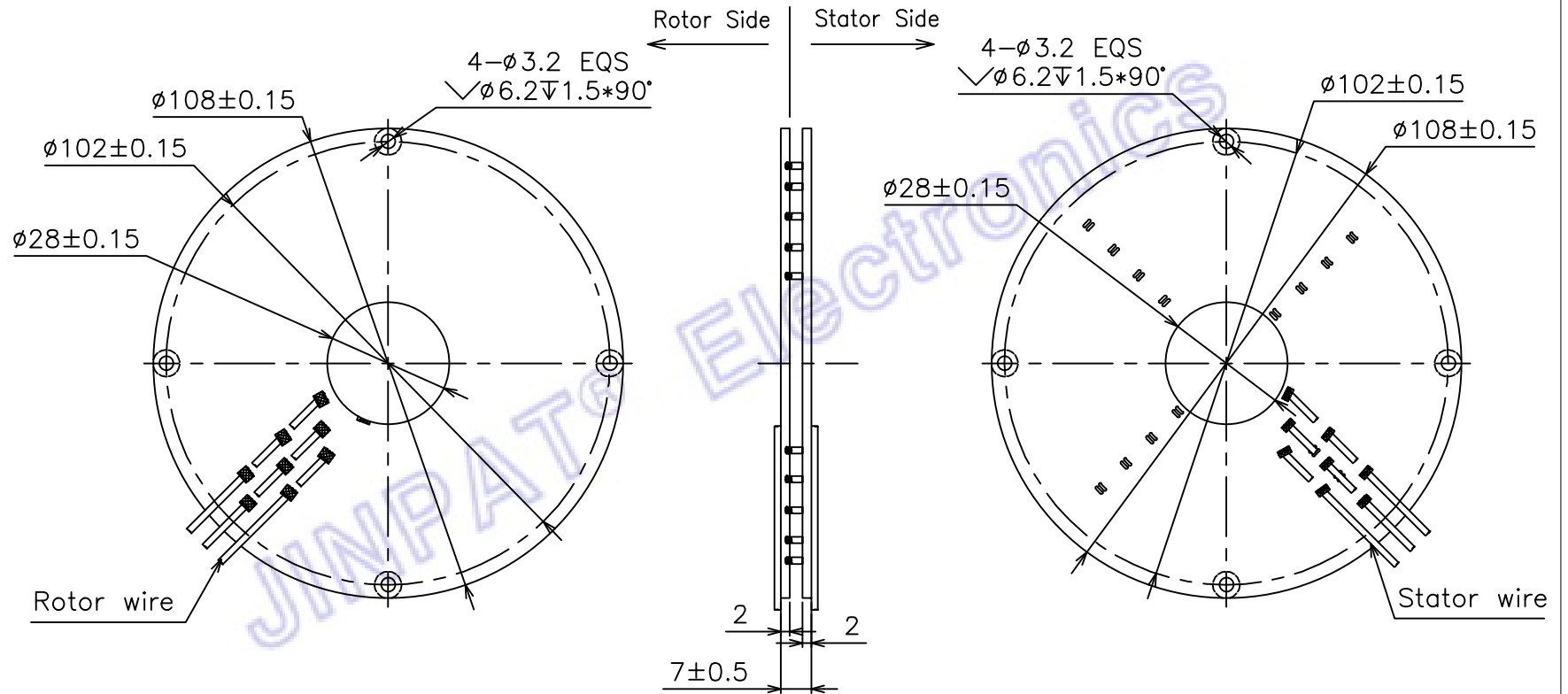

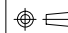


MARK	CONTENT OF AMENDMENT	DATE	DRAW

This document is the property of JINPAT Electronics Co., Ltd (ShenZhen) (Hereafter "JINPAT"). It is lent and is to be returned upon request. The contents of this document are confidential and constitute trade secrets proprietary to JINPAT. Its contents document nor its contents shall be disclosed to any unauthorized person copied or published without JINPAT prior written consent.  
COPY RIGHT © 2018 JINPAT ELECTRONICS Co., Ltd (ShenZhen).

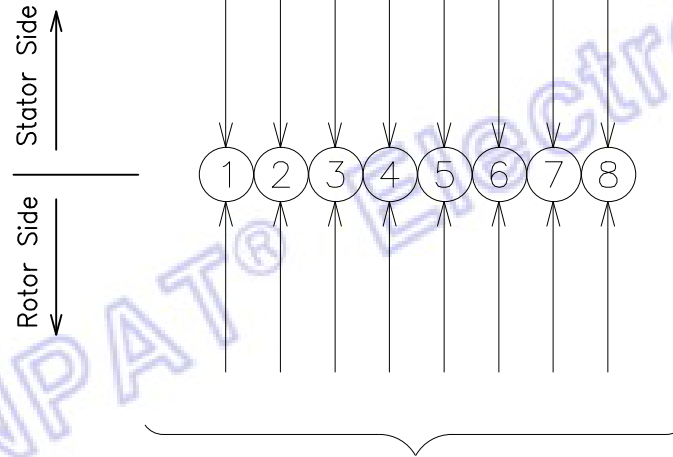


 <b>JINPAT</b> <a href="http://www.slipring.cn">www.slipring.cn</a>	MODEL	LPKS028-0805					
	Customer code	/		TITLE	Outline Drawing		
	UNIT	mm	TOL UNLESS SPECIFIED	DESIGN	CSJ	DATE	2018.05.11
	SCALE	1:1	LINEAR 0--18 ±0.1 >18--80 ±0.15 >80--250 ±0.2	CHECKED	PYX	DATE	2018.05.11
	PROJ.		ANGLE x' ±0.5°	REV.	AO	PAGE	1/2

MARK	CONTENT OF AMENDMENT	DATE	DRAW

This document is the property of JINPAT Electronics Co., Ltd (ShenZhen) (Hereafter "JINPAT"). It is lent and is to be returned upon request. The contents of this document are confidential and constitute trade secrets proprietary to JINPAT. Its contents document nor its contents shall be disclosed to any unauthorized person copied or published without JINPAT prior written consent.  
COPY RIGHT © 2018 JINPAT ELECTRONICS Co., Ltd (ShenZhen).

AWG20#  
Tenflon® UL



8 Circuits \* 5A

Note:

1. The inner ring is the first ring and the outer ring is the eighth ring;
2. There are idle pads and loops.

Electronic & Electric		Mechanical		
Circuits	Total	8 CKT	Working Speed	0~100rpm
	Detail	8x5A	Inner Diameter	∅28mm
Rating Voltage		240V	Contact Material	Precious Metal
Dielectric Strength		300VAC@50Hz	Housing Material	FR-4
Insulation Resistance		≥300MΩ@300VDC	Lead Wire Length	Stator:300mm Rotor:300mm
Environment		Remarks		
Working Temperature		-20°C~+60°C	Application	/
Working Humidity		≤60%RH	Other	/
IP		/	Note: "P" stands for power, "S" stands for signal.	



MODEL		LPKS028-0805					
Customer code	/	TITLE	Wiring Diagram				
UNIT	mm	TOL UNLESS SPECIFIED	DESIGN	CSJ	DATE	2018.05.11	
SCALE	1:1	LINEAR 0--18 ±0.1 >18--80 ±0.15 >80--250 ±0.2	CHECKED	PYX	DATE	2018.05.11	
PROJ.		ANGLE x' ±0.5'	REV.	AO	PAGE	2/2	