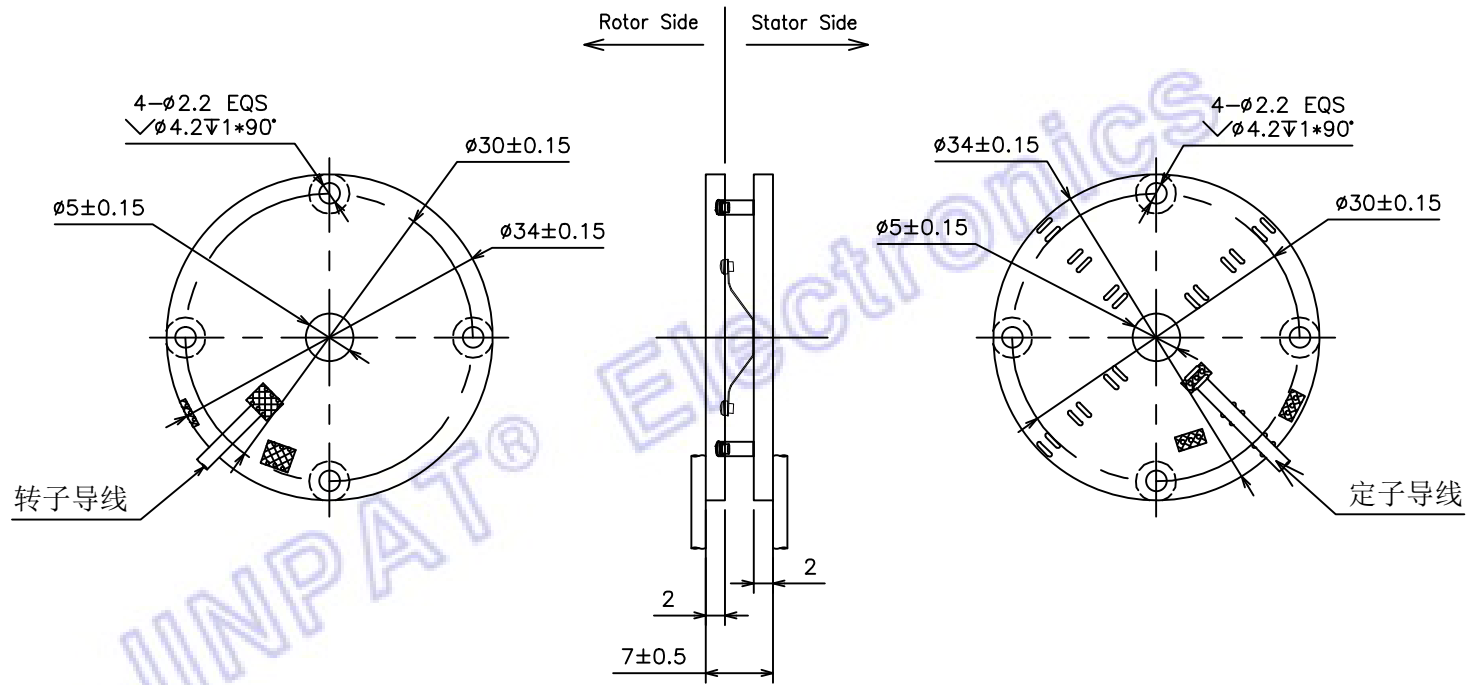

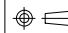


MARK	CONTENT OF AMENDMENT	DATE	DRAW

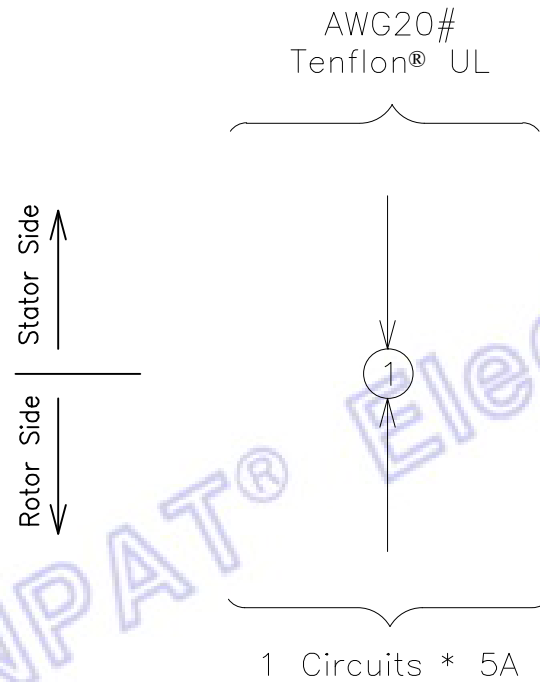
This document is the property of JINPAT Electronics Co., Ltd (ShenZhen) (Hereafter "JINPAT"). It is lent and is to be returned upon request. The contents of this document are confidential and constitute trade secrets proprietary to JINPAT. Its contents document nor its contents shall be disclosed to any unauthorized person copied or published without JINPAT prior written consent.
 COPY RIGHT © 2018 JINPAT ELECTRONICS Co., Ltd (ShenZhen).



 JINPAT www.slipring.cn	MODEL	LPKS005-0105					
	Customer code	/		TITLE	Outline Drawing		
	UNIT	mm	TOL UNLESS SPECIFIED LINEAR 0--18 ±0.1 >18--80 ±0.15 >80--250 ±0.2 ANGLE x' ±0.5°	DESIGN	CSJ	DATE	2018.05.11
	SCALE	1:1		CHECKED	PYX	DATE	2018.05.11
	PROJ.		REV.	AO	PAGE	1/2	

MARK	CONTENT OF AMENDMENT	DATE	DRAW

This document is the property of JINPAT Electronics Co., Ltd (ShenZhen) (Hereafter "JINPAT"). It is lent and is to be returned upon request. The contents of this document are confidential and constitute trade secrets propriety to JINPAT. Its contents document nor its contents shall be disclosed to any unauthorized person copied or published without JINPAT prior written consent.
COPY RIGHT © 2018 JINPAT ELECTRONICS Co., Ltd (ShenZhen).



Note: There are idle pads and loops.

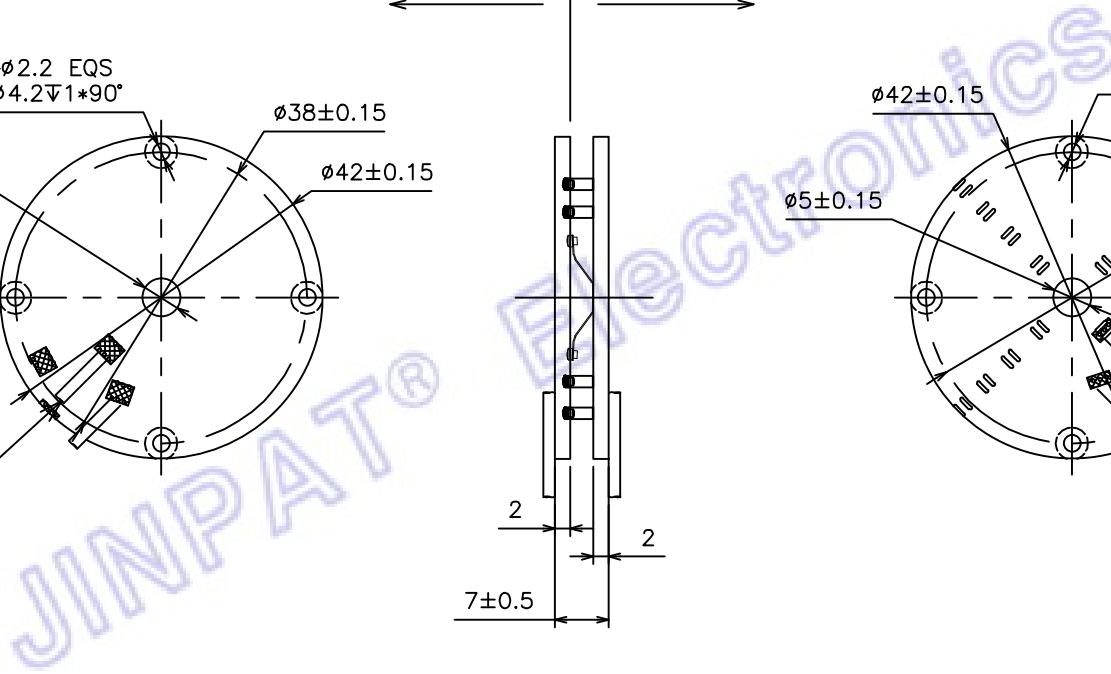
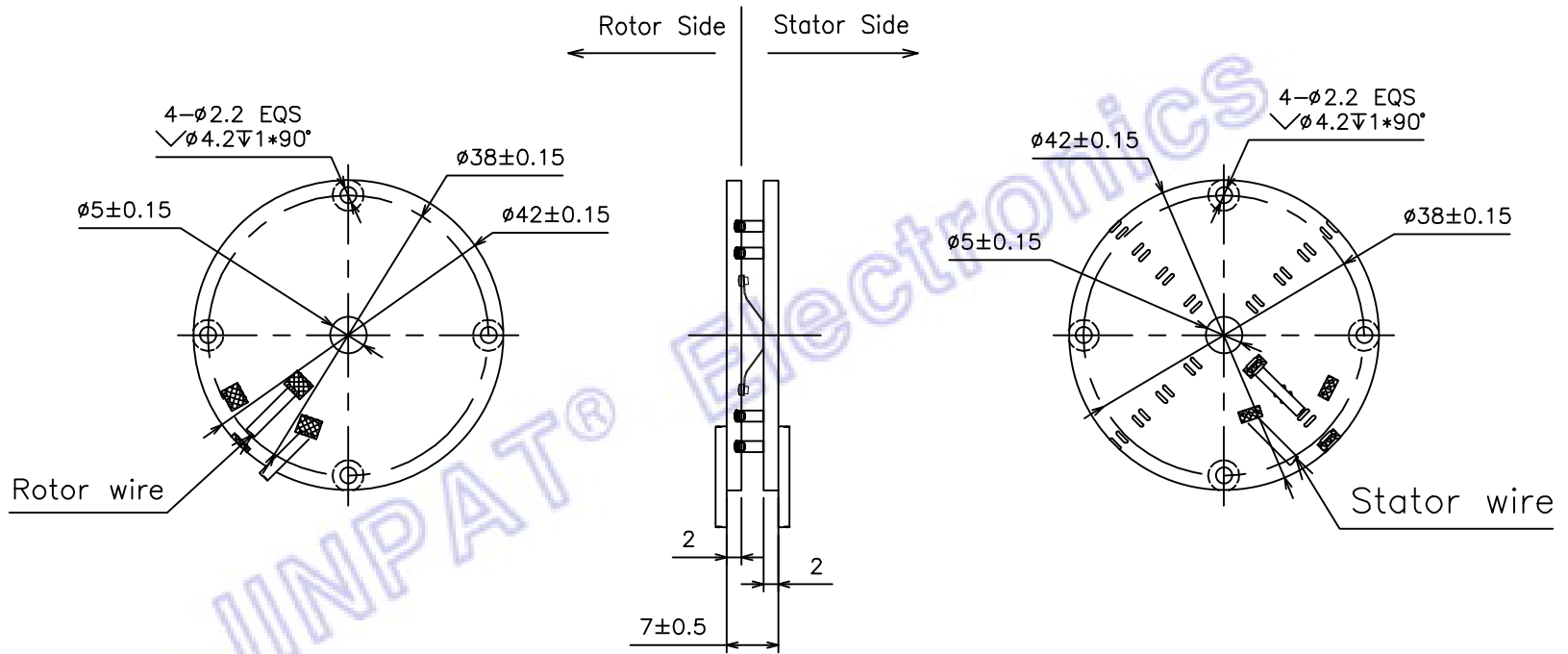
Electronic & Electric		Mechanical		
Circuits	Total	1 CKT	Working Speed	0~100rpm
	Detail	1x5A	Inner Diameter	ø5.0mm
Rating Voltage		240V	Contact Material	Precious Metal
Dielectric Strength		300VAC@50Hz	Housing Material	FR-4
Insulation Resistance		≥300MΩ@300VDC	Lead Wire Length	Stator:300mm Rotor:300mm
Environment		Remarks		
Working Temperature		-20°C~+60°C	Application	/
Working Humidity		≤60%RH	Other	/
IP		/	Note: "P" stands for power, "S" stands for signal.	


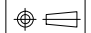


MODEL	LPKS005-0105					
Customer code	/		TITLE	Wiring Diagram		
UNIT	mm	TOL UNLESS SPECIFIED	DESIGN	CSJ	DATE	2018.05.11
SCALE	1:1	LINEAR 0--18 ±0.1 >18--80 ±0.15 >80--250 ±0.2 ANGLE x' ±0.5°	CHECKED	PYX	DATE	2018.05.11
PROJ.			REV.	AO	PAGE	2/2

MARK	CONTENT OF AMENDMENT	DATE	DRAW

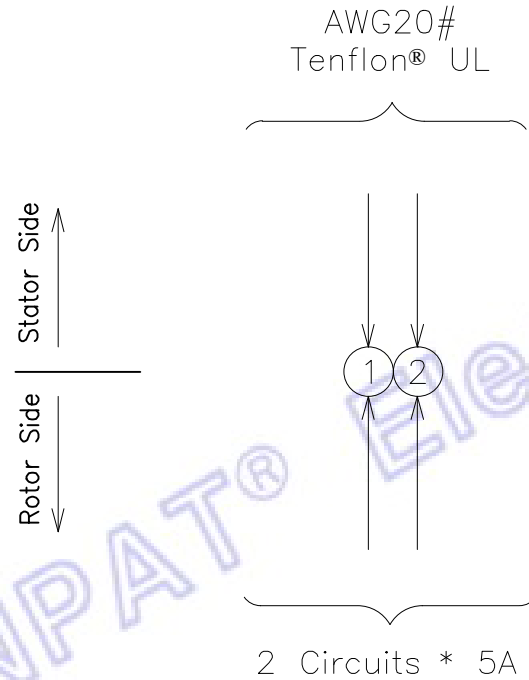
This document is the property of JINPAT Electronics Co., Ltd (ShenZhen) (Hereafter "JINPAT"). It is lent and is to be returned upon request. The contents of this document are confidential and constitute trade secrets proprietary to JINPAT. Its contents document nor its contents shall be disclosed to any unauthorized person copied or published without JINPAT prior written consent.
 COPY RIGHT © 2018 JINPAT ELECTRONICS Co., Ltd (ShenZhen).



 JINPAT www.slipring.cn	MODEL	LPKS005-0205					
	Customer code	/	TITLE	Outline Drawing			
UNIT	mm	TOL UNLESS SPECIFIED	DESIGN	CSJ	DATE	2018.05.11	
SCALE	1:1	LINEAR 0--18 ±0.1 >18--80 ±0.15 >80--250 ±0.2	CHECKED	PYX	DATE	2018.05.11	
PROJ.		ANGLE x' ±0.5°	REV.	AO	PAGE	1/2	

MARK	CONTENT OF AMENDMENT	DATE	DRAW

This document is the property of JINPAT Electronics Co., Ltd (ShenZhen) (Hereafter "JINPAT"). It is lent and is to be returned upon request. The contents of this document are confidential and constitute trade secrets proprietary to JINPAT. Its contents document nor its contents shall be disclosed to any unauthorized person copied or published without JINPAT prior written consent.
COPY RIGHT © 2018 JINPAT ELECTRONICS Co., Ltd (ShenZhen).



Note:
1.The inner ring is the first ring and the outer ring is the second ring;
2.There are idle pads and loops.

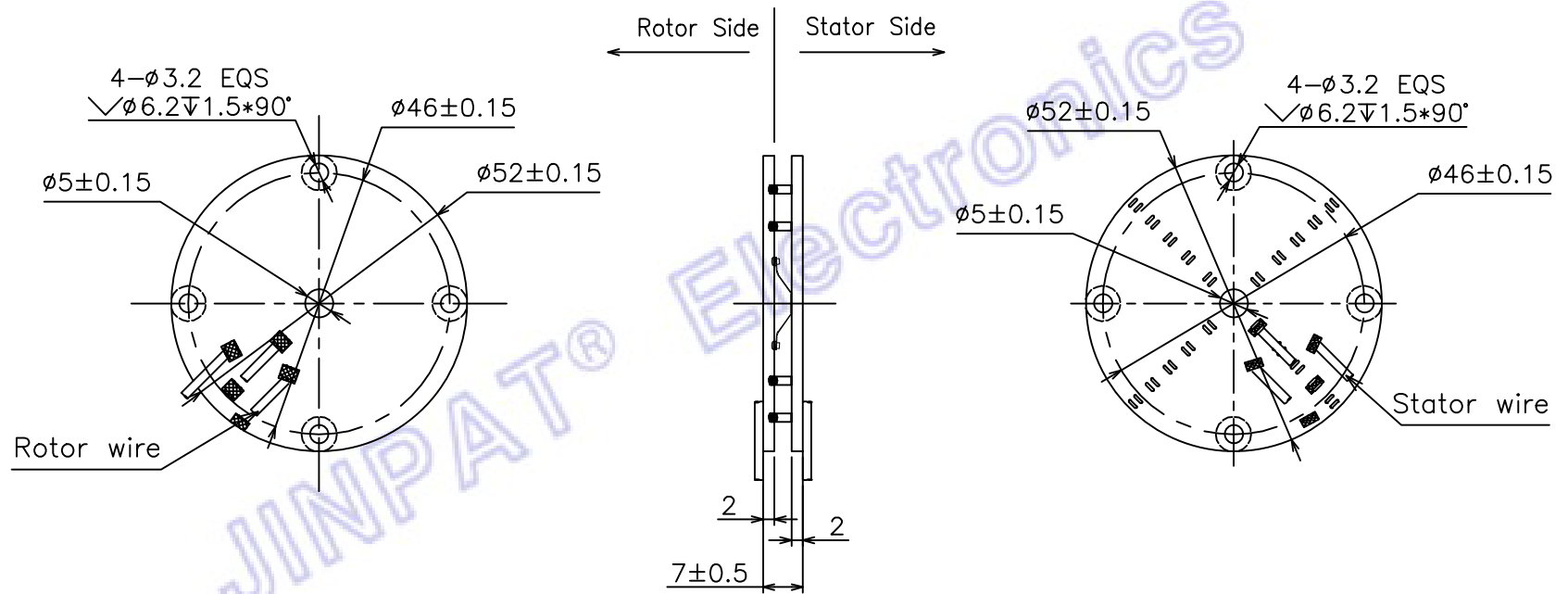
Electronic & Electric		Mechanical		
Circuits	Total	2 CKT	Working Speed	0~100rpm
	Detail	2x5A	Inner Diameter	ø5.0mm
Rating Voltage		240V	Contact Material	Precious Metal
Dielectric Strength		300VAC@50Hz	Housing Material	FR-4
Insulation Resistance		≥300MΩ@300VDC	Lead Wire Length	Stator:300mm Rotor:300mm
Environment		Remarks		
Working Temperature		-20°C~+60°C	Application	/
Working Humidity		≤60%RH	Other	/
IP		/	Note: "P" stands for power, "S" stands for signal.	


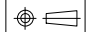


MODEL	LPKS005-0205					
Customer code	/		TITLE	Wiring Diagram		
UNIT	mm	TOL UNLESS SPECIFIED	DESIGN	CSJ	DATE	2018.05.11
SCALE	1:1	LINEAR 0--18 ±0.1 >18--80 ±0.15 >80--250 ±0.2	CHECKED	PYX	DATE	2018.05.11
PROJ.		ANGLE x' ±0.5'	REV.	AO	PAGE	2/2

MARK	CONTENT OF AMENDMENT	DATE	DRAW

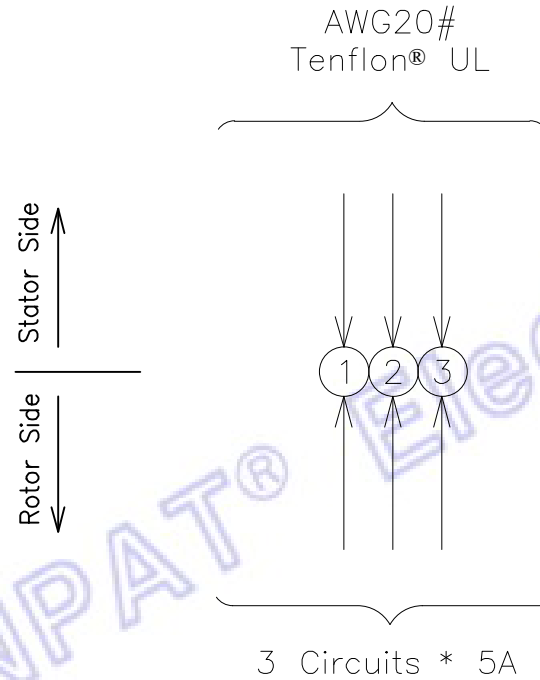
This document is the property of JINPAT Electronics Co., Ltd (ShenZhen) (Hereafter "JINPAT"). It is lent and is to be returned upon request. The contents of this document are confidential and constitute trade secrets proprietary to JINPAT. Its contents document nor its contents shall be disclosed to any unauthorized person copied or published without JINPAT prior written consent.
COPY RIGHT © 2018 JINPAT ELECTRONICS Co., Ltd (ShenZhen).



 JINPAT www.slipring.cn	MODEL	LPKS005-0305					
	Customer code	/	TITLE	Outline Drawing			
UNIT	mm	TOL UNLESS SPECIFIED LINEAR 0--18 ±0.1 >18--80 ±0.15 >80--250 ±0.2 ANGLE x' ±0.5°	DESIGN	CSJ	DATE	2018.05.11	
SCALE	1:1		CHECKED	PYX	DATE	2018.05.11	
PROJ.		REV.	AO	PAGE	1/2		

MARK	CONTENT OF AMENDMENT	DATE	DRAW

This document is the property of JINPAT Electronics Co., Ltd (ShenZhen) (Hereafter "JINPAT"). It is lent and is to be returned upon request. The contents of this document are confidential and constitute trade secrets proprietary to JINPAT. Its contents document nor its contents shall be disclosed to any unauthorized person copied or published without JINPAT prior written consent.
COPY RIGHT © 2018 JINPAT ELECTRONICS Co., Ltd (ShenZhen).

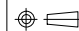


Note:

1. The inner ring is the first ring and the outer ring is the third ring;
2. There are idle pads and loops.

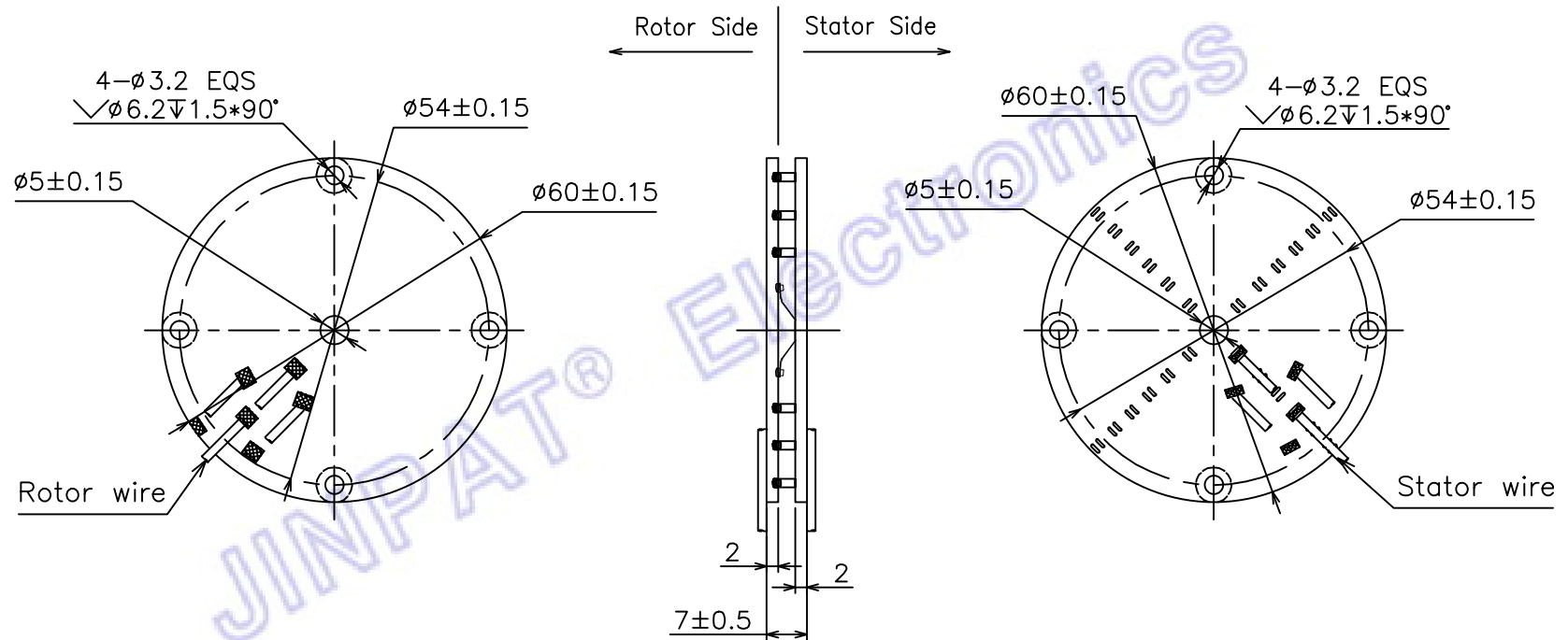
Electronic & Electric		Mechanical		
Circuits	Total	3 CKT	Working Speed	0~100rpm
	Detail	3x5A	Inner Diameter	∅5.0mm
Rating Voltage		240V	Contact Material	Precious Metal
Dielectric Strength		300VAC@50Hz	Housing Material	FR-4
Insulation Resistance		≥300MΩ@300VDC	Lead Wire Length	Stator:300mm Rotor:300mm
Environment		Remarks		
Working Temperature		-20°C~+60°C	Application	/
Working Humidity		≤60%RH	Other	/
IP		/	Note: "P" stands for power, "S" stands for signal.	


JINPAT
www.slipring.cn

MODEL	LPKS005-0305					
Customer code	/		TITLE	Wiring Diagram		
UNIT	mm	TOL UNLESS SPECIFIED	DESIGN	CSJ	DATE	2018.05.11
SCALE	1:1	LINEAR 0--18 ±0.1 >18--80 ±0.15 >80--250 ±0.2	CHECKED	PYX	DATE	2018.05.11
PROJ.		ANGLE x' ±0.5'	REV.	AO	PAGE	2/2

MARK	CONTENT OF AMENDMENT	DATE	DRAW

This document is the property of JINPAT Electronics Co., Ltd (ShenZhen) (Hereafter "JINPAT"). It is lent and is to be returned upon request. The contents of this document are confidential and constitute trade secrets proprietary to JINPAT. Its contents document nor its contents shall be disclosed to any unauthorized person copied or published without JINPAT prior written consent.
COPY RIGHT © 2018 JINPAT ELECTRONICS Co., Ltd (ShenZhen).

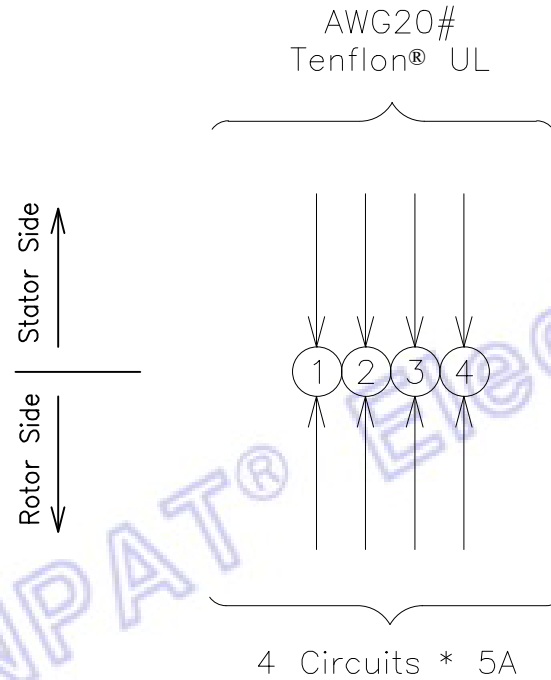


JINPAT
www.slipring.cn

MODEL	LPKS005-0405						
Customer code	/		TITLE	Outline Drawing			
UNIT	mm	TOL UNLESS SPECIFIED	DESIGN	CSJ	DATE	2018.05.11	
SCALE	1:1	LINEAR 0--18 ±0.1 >18--80 ±0.15 >80--250 ±0.2	CHECKED	PYX	DATE	2018.05.11	
PROJ.		ANGLE x' ±0.5'	REV.	AO	PAGE	1/2	

MARK	CONTENT OF AMENDMENT	DATE	DRAW

This document is the property of JINPAT Electronics Co., Ltd (ShenZhen) (Hereafter "JINPAT"). It is lent and is to be returned upon request. The contents of this document are confidential and constitute trade secrets proprietary to JINPAT. Its contents document nor its contents shall be disclosed to any unauthorized person copied or published without JINPAT prior written consent.
COPY RIGHT © 2018 JINPAT ELECTRONICS Co., Ltd (ShenZhen).

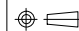


Note:

1. The inner ring is the first ring and the outer ring is the fourth ring;
2. There are idle pads and loops.

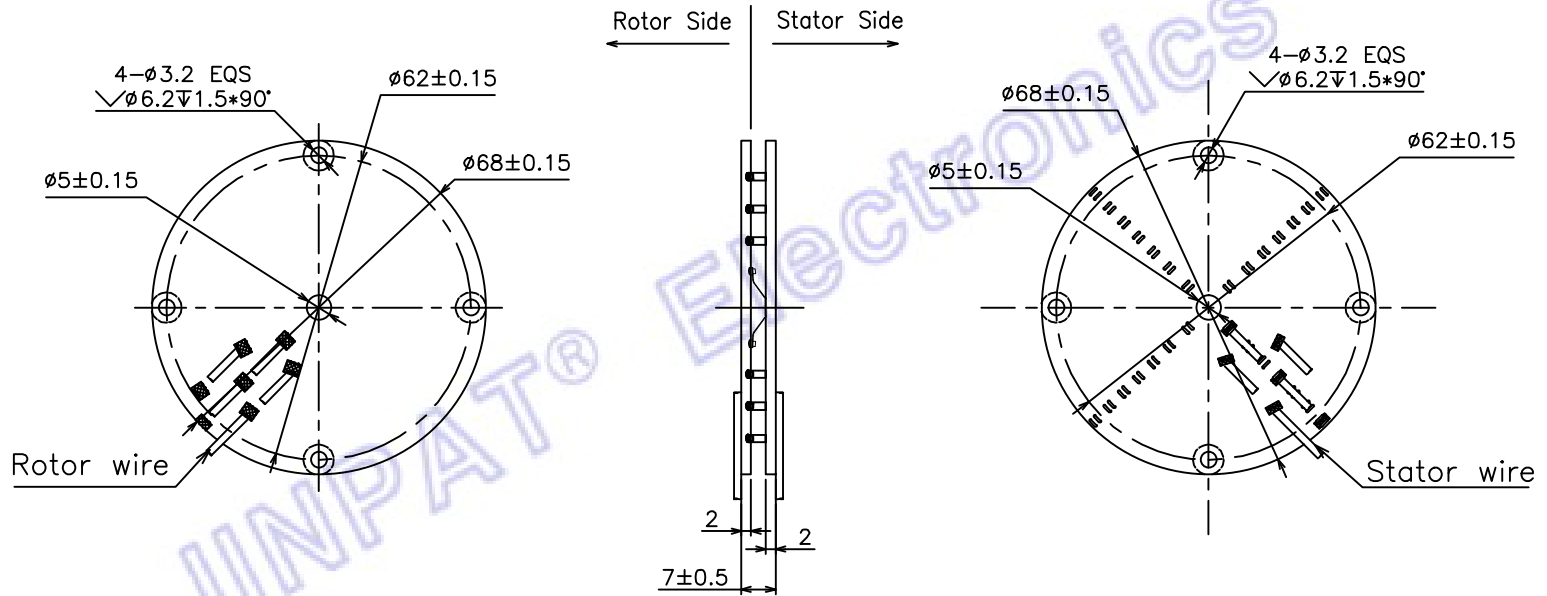
Electronic & Electric		Mechanical		
Circuits	Total	4 CKT	Working Speed	0~100rpm
	Detail	4x5A	Inner Diameter	∅5.0mm
Rating Voltage		240V	Contact Material	Precious Metal
Dielectric Strength		300VAC@50Hz	Housing Material	FR-4
Insulation Resistance		≥300MΩ@300VDC	Lead Wire Length	Stator:300mm Rotor:300mm
Environment		Remarks		
Working Temperature		-20°C~+60°C	Application	/
Working Humidity		≤60%RH	Other	/
IP		/	Note: "P" stands for power, "S" stands for signal.	


JINPAT
www.slpring.cn

MODEL	LPKS005-0405					
Customer code	/		TITLE	Wiring Diagram		
UNIT	mm	TOL UNLESS SPECIFIED LINEAR 0--18 ±0.1 >18--80 ±0.15 >80--250 ±0.2 ANGLE x' ±0.5'	DESIGN	CSJ	DATE	2018.05.11
SCALE	1:1		CHECKED	PYX	DATE	2018.05.11
PROJ.			REV.	AO	PAGE	2/2

MARK	CONTENT OF AMENDMENT	DATE	DRAW

This document is the property of JINPAT Electronics Co., Ltd (ShenZhen) (Hereafter "JINPAT"). It is lent and is to be returned upon request. The contents of this document are confidential and constitute trade secrets proprietary to JINPAT. Its contents document nor its contents shall be disclosed to any unauthorized person copied or published without JINPAT prior written consent.
 COPY RIGHT © 2018 JINPAT ELECTRONICS Co., Ltd (ShenZhen).

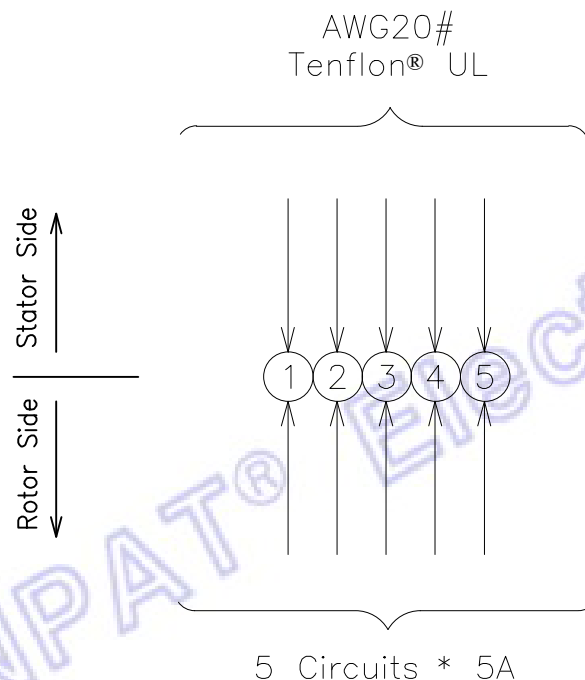


JINPAT
www.slipring.cn

MODEL	LPKS005-0505						
Customer code	/		TITLE	Outline Drawing			
UNIT	mm	TOL UNLESS SPECIFIED	DESIGN	CSJ	DATE	2018.05.11	
SCALE	1:1	LINEAR 0--18 ±0.1 >18--80 ±0.15 >80--250 ±0.2	CHECKED	PYX	DATE	2018.05.11	
PROJ.		ANGLE x' ±0.5'	REV.	AO	PAGE	1/2	

MARK	CONTENT OF AMENDMENT	DATE	DRAW

This document is the property of JINPAT Electronics Co., Ltd (ShenZhen) (Hereafter "JINPAT"). It is lent and is to be returned upon request. The contents of this document are confidential and constitute trade secrets proprietary to JINPAT. Its contents document nor its contents shall be disclosed to any unauthorized person copied or published without JINPAT prior written consent.
COPY RIGHT © 2018 JINPAT ELECTRONICS Co., Ltd (ShenZhen).

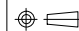


Note:

1. The inner ring is the first ring and the outer ring is the fifth ring;
2. There are idle pads and loops.

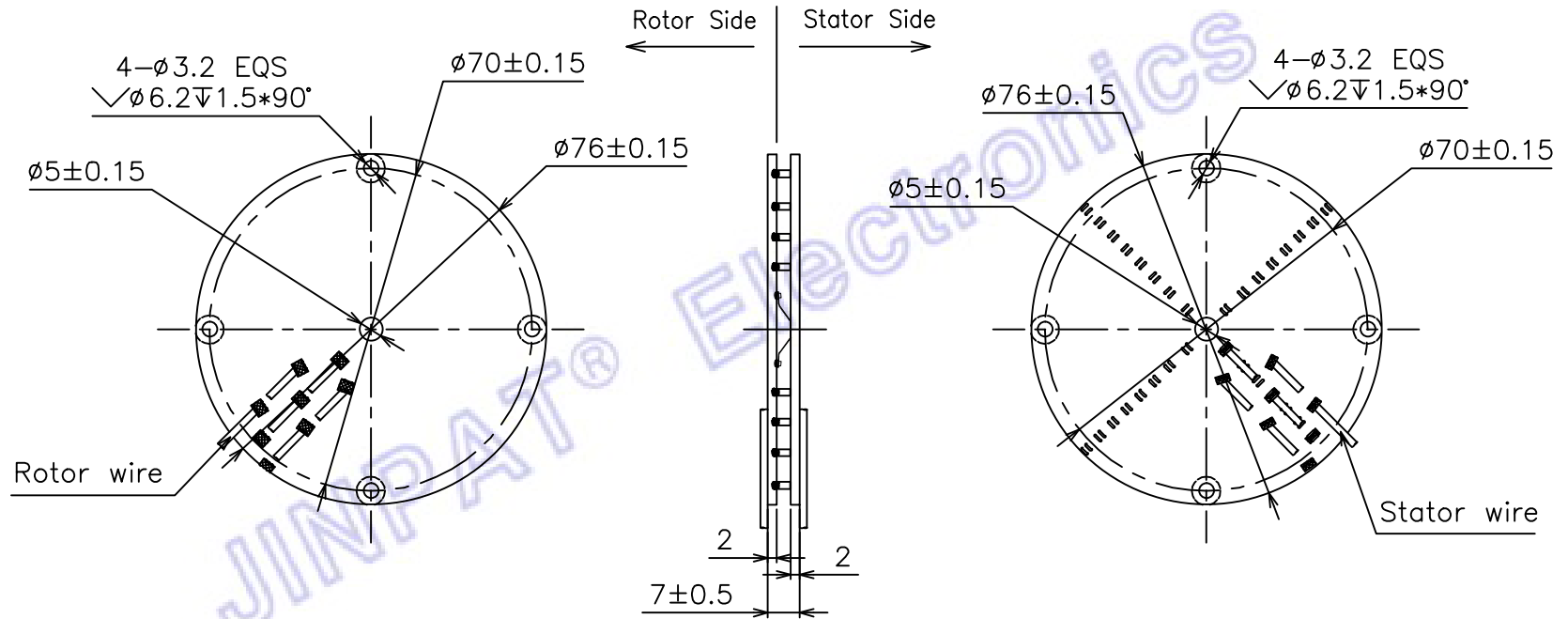
Electronic & Electric		Mechanical		
Circuits	Total	5 CKT	Working Speed	0~100rpm
	Detail	5x5A	Inner Diameter	ø5.0mm
Rating Voltage		240V	Contact Material	Precious Metal
Dielectric Strength		300VAC@50Hz	Housing Material	FR-4
Insulation Resistance		≥300MΩ@300VDC	Lead Wire Length	Stator:300mm Rotor:300mm
Environment		Remarks		
Working Temperature		-20°C~+60°C	Application	/
Working Humidity		≤60%RH	Other	/
IP		/	Note: "P" stands for power, "S" stands for signal.	


JINPAT
www.slipring.cn

MODEL	LPKS005-0505					
Customer code	/		TITLE	Wiring Diagram		
UNIT	mm	TOL UNLESS SPECIFIED LINEAR 0--18 ±0.1 >18--80 ±0.15 >80--250 ±0.2 ANGLE x' ±0.5'	DESIGN	CSJ	DATE	2018.05.11
SCALE	1:1		CHECKED	PYX	DATE	2018.05.11
PROJ.			REV.	AO	PAGE	2/2

MARK	CONTENT OF AMENDMENT	DATE	DRAW

This document is the property of JINPAT Electronics Co., Ltd (ShenZhen) (Hereafter "JINPAT"). It is lent and is to be returned upon request. The contents of this document are confidential and constitute trade secrets proprietary to JINPAT. Its contents document nor its contents shall be disclosed to any unauthorized person copied or published without JINPAT prior written consent.
COPY RIGHT © 2018 JINPAT ELECTRONICS Co., Ltd (ShenZhen).

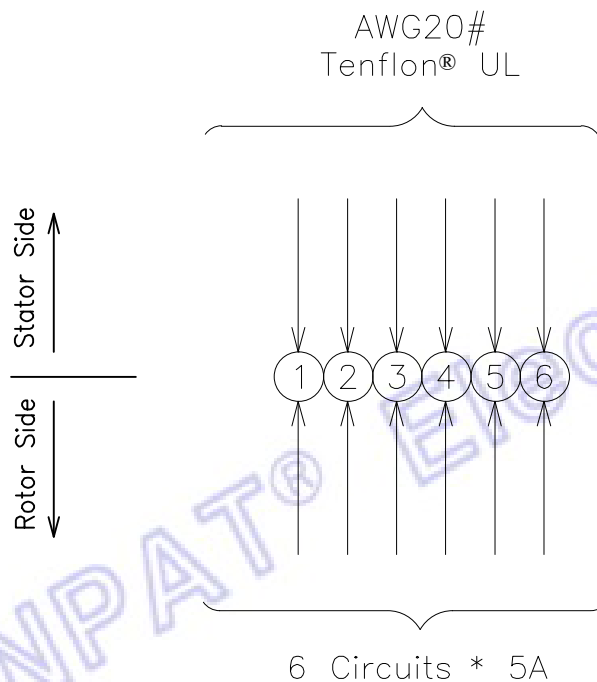


JINPAT
www.slpring.cn

MODEL	LPKS005-0605						
Customer code	/		TITLE	Outline Drawing			
UNIT	mm	TOL UNLESS SPECIFIED	DESIGN	CSJ	DATE	2018.05.11	
SCALE	1:1	LINEAR 0--18 ±0.1 >18--80 ±0.15 >80--250 ±0.2	CHECKED	PYX	DATE	2018.05.11	
PROJ.		ANGLE x' ±0.5'	REV.	AO	PAGE	1/2	

MARK	CONTENT OF AMENDMENT	DATE	DRAW

This document is the property of JINPAT Electronics Co., Ltd (ShenZhen) (Hereafter "JINPAT"). It is lent and is to be returned upon request. The contents of this document are confidential and constitute trade secrets proprietary to JINPAT. Its contents document nor its contents shall be disclosed to any unauthorized person copied or published without JINPAT prior written consent.
COPY RIGHT © 2018 JINPAT ELECTRONICS Co., Ltd (ShenZhen).



Note:

1. The inner ring is the first ring and the outer ring is the sixth ring;
2. There are idle pads and loops.

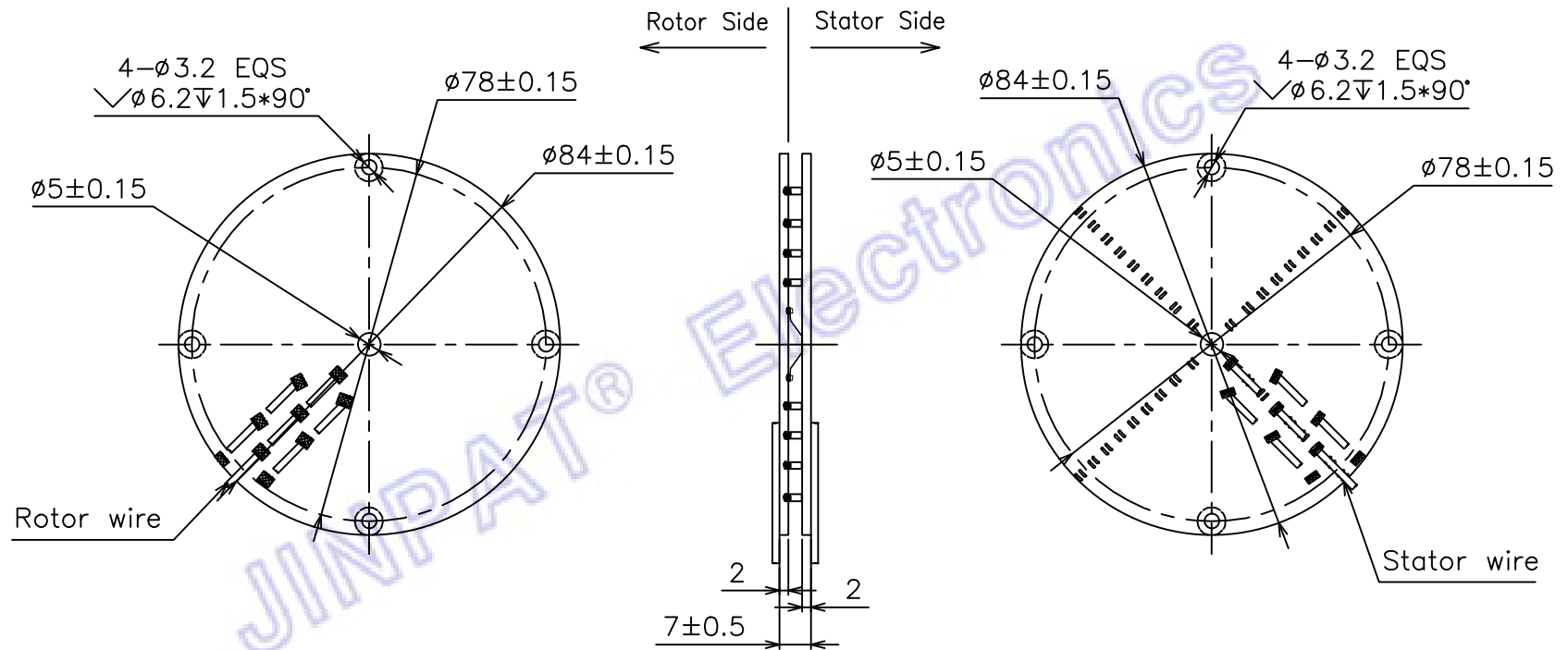
Electronic & Electric		Mechanical		
Circuits	Total	6 CKT	Working Speed	0~100rpm
	Detail	6x5A	Inner Diameter	∅5.0mm
Rating Voltage		240V	Contact Material	Precious Metal
Dielectric Strength		300VAC@50Hz	Housing Material	FR-4
Insulation Resistance		≥300MΩ@300VDC	Lead Wire Length	Stator:300mm Rotor:300mm
Environment		Remarks		
Working Temperature		-20°C~+60°C	Application	/
Working Humidity		≤60%RH	Other	/
IP		/	Note: "P" stands for power, "S" stands for signal.	



MODEL		LPKS005-0605					
Customer code	/	TITLE		Wiring Diagram			
UNIT	mm	TOL UNLESS SPECIFIED		DESIGN	CSJ	DATE	2018.05.11
SCALE	1:1	LINEAR 0--18 ±0.1 >18--80 ±0.15 >80--250 ±0.2 ANGLE x' ±0.5'		CHECKED	PYX	DATE	2018.05.11
PROJ.		REV.	AO	PAGE	2/2		

MARK	CONTENT OF AMENDMENT	DATE	DRAW

This document is the property of JINPAT Electronics Co., Ltd (ShenZhen) (Hereafter "JINPAT"). It is lent and is to be returned upon request. The contents of this document are confidential and constitute trade secrets proprietary to JINPAT. Its contents document nor its contents shall be disclosed to any unauthorized person copied or published without JINPAT prior written consent.
COPY RIGHT © 2018 JINPAT ELECTRONICS Co., Ltd (ShenZhen).

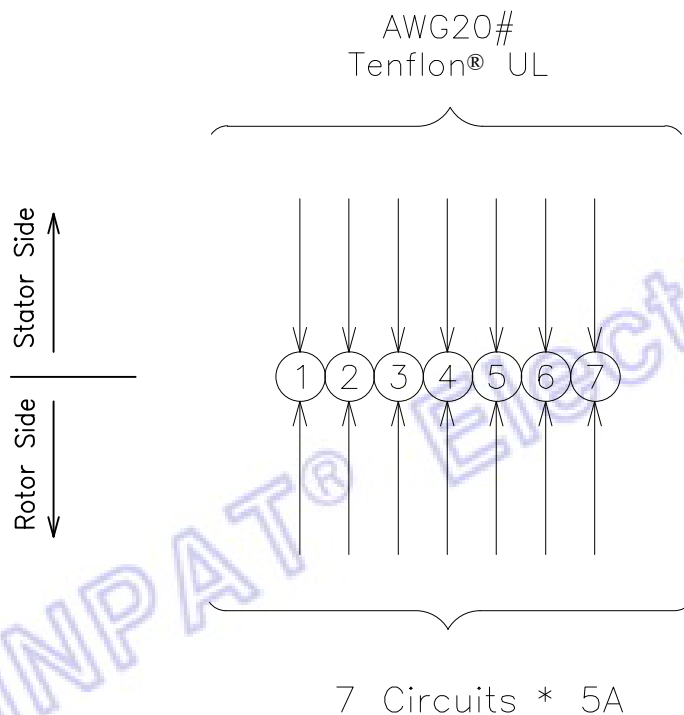


JINPAT
www.slpring.cn

MODEL	LPKS005-0705						
Customer code	/		TITLE	Outline Drawing			
UNIT	mm	TOL UNLESS SPECIFIED	DESIGN	CSJ	DATE	2018.05.11	
SCALE	1:1	LINEAR 0--18 ±0.1 >18--50 ±0.15 >50--250 ±0.2	CHECKED	PYX	DATE	2018.05.11	
PROJ.		ANGLE x' ±0.5'	REV.	AO	PAGE	1/2	

MARK	CONTENT OF AMENDMENT	DATE	DRAW

This document is the property of JINPAT Electronics Co., Ltd (ShenZhen) (Hereafter "JINPAT"). It is lent and is to be returned upon request. The contents of this document are confidential and constitute trade secrets proprietary to JINPAT. Its contents document nor its contents shall be disclosed to any unauthorized person copied or published without JINPAT prior written consent.
COPY RIGHT © 2018 JINPAT ELECTRONICS Co., Ltd (ShenZhen).



Note:

1. The inner ring is the first ring and the outer ring is the seventh ring;
2. There are idle pads and loops.

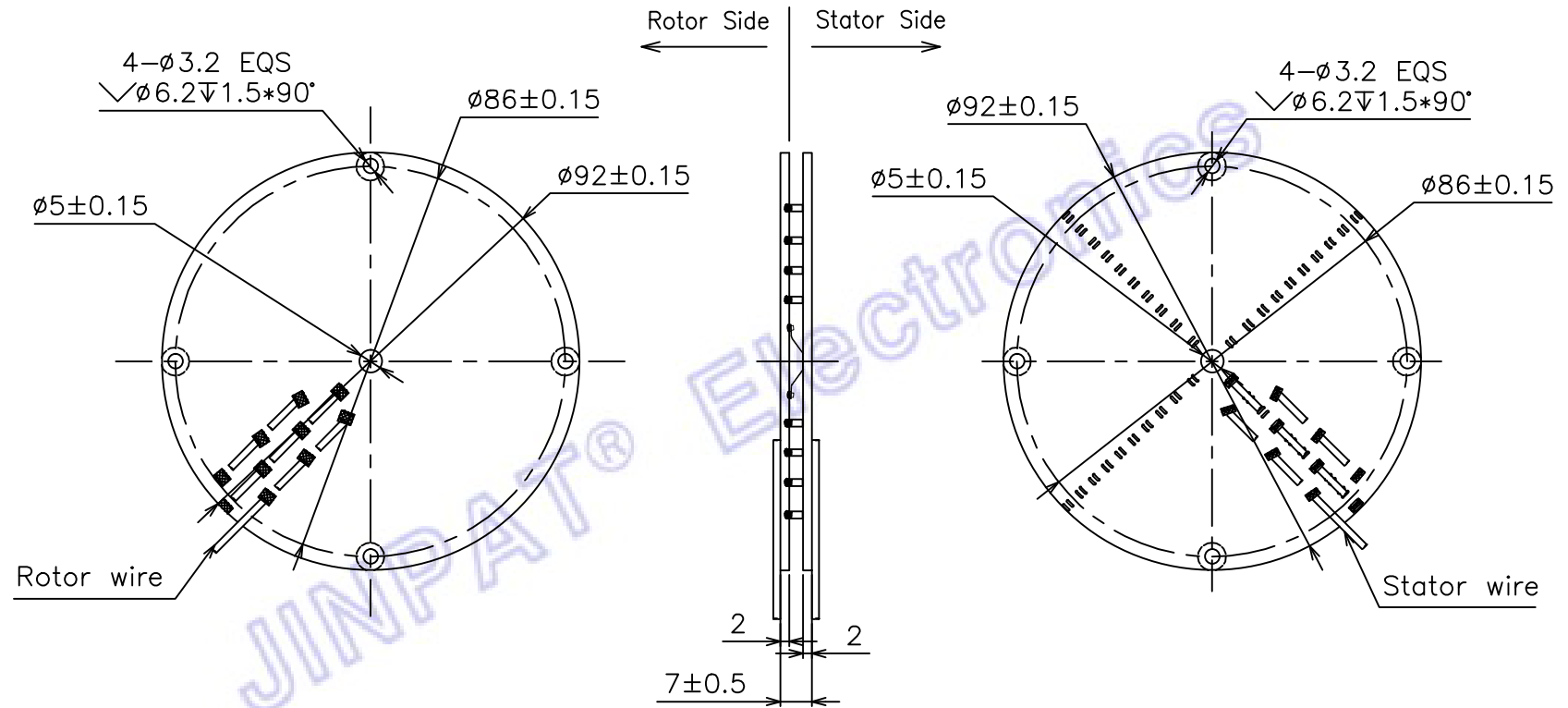
Electronic & Electric		Mechanical		
Circuits	Total	7 CKT	Working Speed	0~100rpm
	Detail	7x5A	Inner Diameter	ø5.0mm
Rating Voltage		240V	Contact Material	Precious Metal
Dielectric Strength		300VAC@50Hz	Housing Material	FR-4
Insulation Resistance		≥300MΩ@300VDC	Lead Wire Length	Stator:300mm Rotor:300mm
Environment		Remarks		
Working Temperature		-20°C~+60°C	Application	/
Working Humidity		≤60%RH	Other	/
IP		/	Note: "P" stands for power, "S" stands for signal.	



MODEL		LPKS005-0705					
Customer code	/	TITLE		Wiring Diagram			
UNIT	mm	TOL UNLESS SPECIFIED		DESIGN	CSJ	DATE	2018.05.11
SCALE	1:1	LINEAR 0--18 ±0.1 >18--80 ±0.15 >80--250 ±0.2 ANGLE x' ±0.5'		CHECKED	PYX	DATE	2018.05.11
PROJ.		REV.	AO	PAGE	2/2		

MARK	CONTENT OF AMENDMENT	DATE	DRAW

This document is the property of JINPAT Electronics Co., Ltd (ShenZhen) (Hereafter "JINPAT"). It is lent and is to be returned upon request. The contents of this document are confidential and constitute trade secrets proprietary to JINPAT. Its contents document nor its contents shall be disclosed to any unauthorized person copied or published without JINPAT prior written consent.
COPY RIGHT © 2018 JINPAT ELECTRONICS Co., Ltd (ShenZhen).

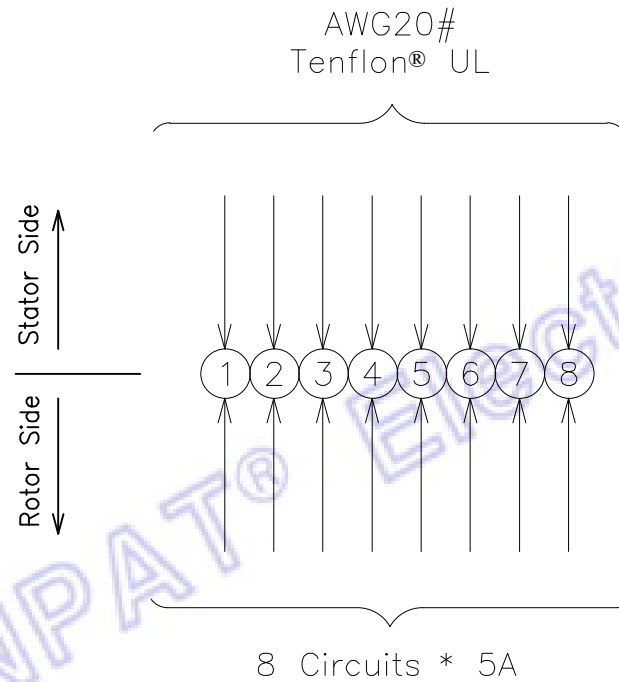


JINPAT
www.slpring.cn

MODEL	LPKS005-0805						
Customer code	/		TITLE	Outline Drawing			
UNIT	mm	TOL UNLESS SPECIFIED	DESIGN	CSJ	DATE	2018.05.11	
SCALE	1:1	LINEAR 0--18 ±0.1 >18--50 ±0.15 >50--250 ±0.2	CHECKED	PYX	DATE	2018.05.11	
PROJ.		ANGLE x' ±0.5'	REV.	AO	PAGE	1/2	

MARK	CONTENT OF AMENDMENT	DATE	DRAW

This document is the property of JINPAT Electronics Co., Ltd (ShenZhen) (Hereafter "JINPAT"). It is lent and is to be returned upon request. The contents of this document are confidential and constitute trade secrets proprietary to JINPAT. Its contents document nor its contents shall be disclosed to any unauthorized person copied or published without JINPAT prior written consent.
COPY RIGHT © 2018 JINPAT ELECTRONICS Co., Ltd (ShenZhen).



Note:

1. The inner ring is the first ring and the outer ring is the eighth ring;
2. There are idle pads and loops.

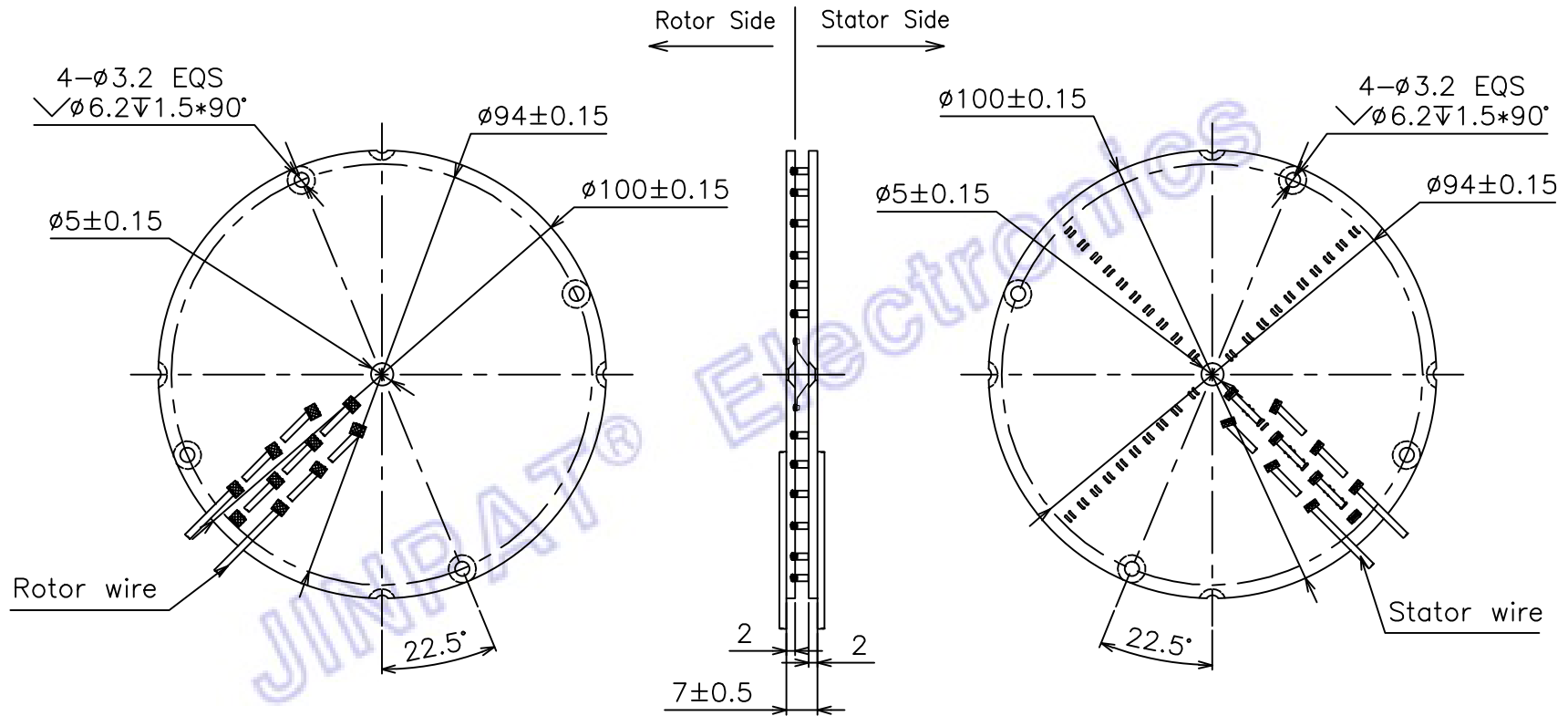
Electronic & Electric		Mechanical		
Circuits	Total	8 CKT	Working Speed	0~100rpm
	Detail	8x5A	Inner Diameter	∅5.0mm
Rating Voltage		240V	Contact Material	Precious Metal
Dielectric Strength		300VAC@50Hz	Housing Material	FR-4
Insulation Resistance		≥300MΩ@300VDC	Lead Wire Length	Stator:300mm Rotor:300mm
Environment		Remarks		
Working Temperature		-20°C~+60°C	Application	/
Working Humidity		≤60%RH	Other	/
IP		/	Note: "P" stands for power, "S" stands for signal.	


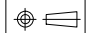


MODEL		LPKS005-0805					
Customer code	/	TITLE		Wiring Diagram			
UNIT	mm	TOL UNLESS SPECIFIED		DESIGN	CSJ	DATE	2018.05.11
SCALE	1:1	LINEAR 0--18 ±0.1 >18--80 ±0.15 >80--250 ±0.2		CHECKED	PYX	DATE	2018.05.11
PROJ.		ANGLE x' ±0.5°		REV.	AO	PAGE	2/2

MARK	CONTENT OF AMENDMENT	DATE	DRAW

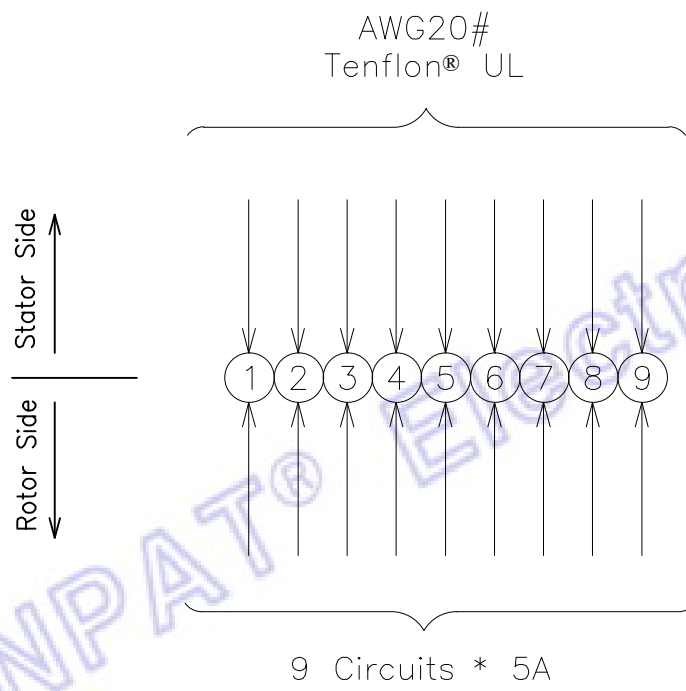
This document is the property of JINPAT Electronics Co., Ltd (ShenZhen) (Hereafter "JINPAT"). It is lent and is to be returned upon request. The contents of this document are confidential and constitute trade secrets proprietary to JINPAT. Its contents document nor its contents shall be disclosed to any unauthorized person copied or published without JINPAT prior written consent.
COPY RIGHT © 2018 JINPAT ELECTRONICS Co., Ltd (ShenZhen).



 JINPAT www.slipring.cn	MODEL	LPKS005-0905					
	Customer code	/		TITLE	Outline Drawing		
	UNIT	mm	TOL UNLESS SPECIFIED	DESIGN	CSJ	DATE	2018.05.11
	SCALE	1:1	LINEAR 0--18 ±0.1 >18--80 ±0.15 >80--250 ±0.2	CHECKED	PYX	DATE	2018.05.11
	PROJ.		ANGLE x' ±0.5°	REV.	AO	PAGE	1/2

MARK	CONTENT OF AMENDMENT	DATE	DRAW

This document is the property of JINPAT Electronics Co., Ltd (ShenZhen) (Hereafter "JINPAT"). It is lent and is to be returned upon request. The contents of this document are confidential and constitute trade secrets proprietary to JINPAT. Its contents document nor its contents shall be disclosed to any unauthorized person copied or published without JINPAT prior written consent.
 COPY RIGHT © 2018 JINPAT ELECTRONICS Co., Ltd (ShenZhen).



Note:
 1.The inner ring is the first ring and the outer ring is the ninth ring;
 2.There are idle pads and loops.

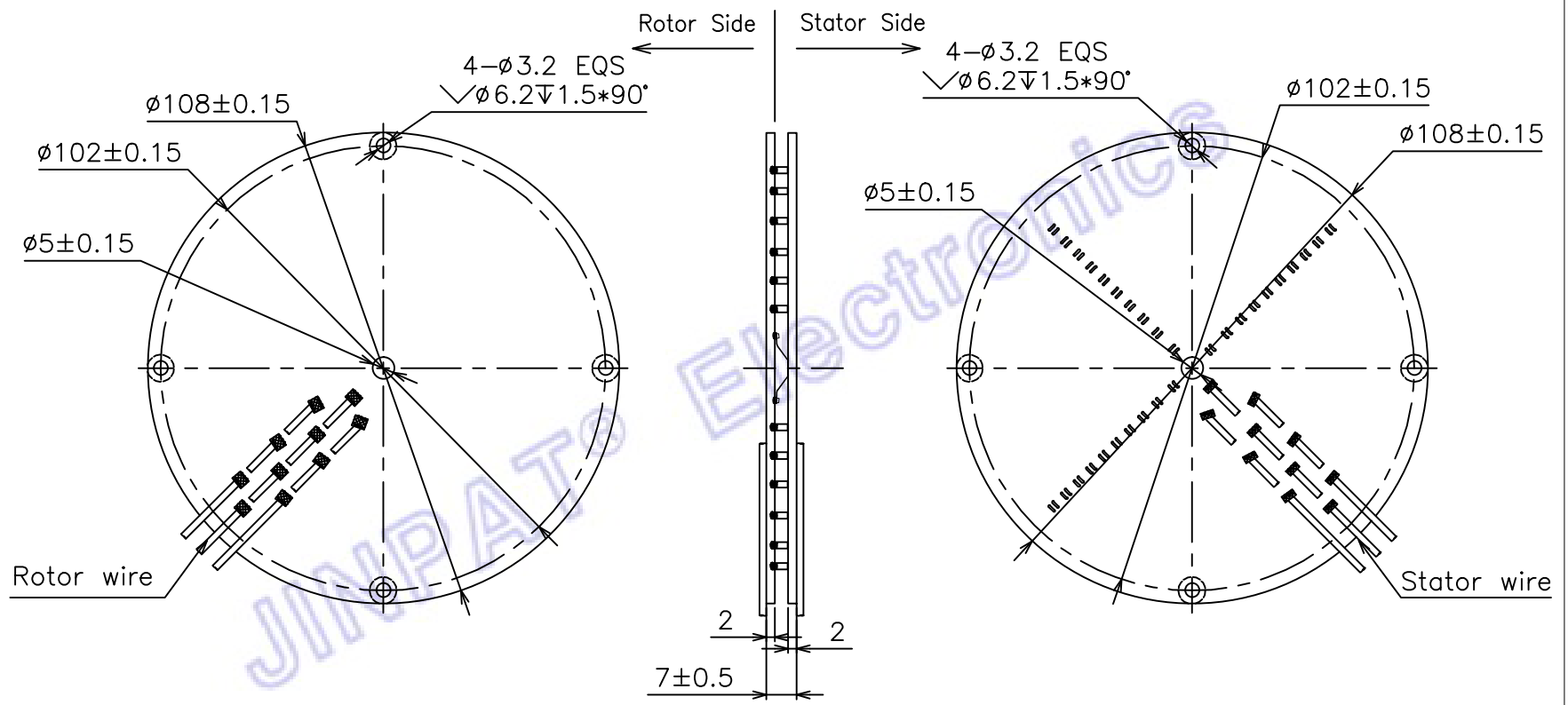
Electronic & Electric		Mechanical		
Circuits	Total	9 CKT	Working Speed	0~100rpm
	Detail	9x5A	Inner Diameter	∅5.0mm
Rating Voltage		240V	Contact Material	Precious Metal
Dielectric Strength		300VAC@50Hz	Housing Material	FR-4
Insulation Resistance		≥300MΩ@300VDC	Lead Wire Length	Stator:300mm Rotor:300mm
Environment		Remarks		
Working Temperature		-20°C~+60°C	Application	/
Working Humidity		≤60%RH	Other	/
IP		/	Note: "P" stands for power, "S" stands for signal.	


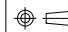


MODEL	LPKS005-0905					
Customer code	/		TITLE	Wiring Diagram		
UNIT	mm	TOL UNLESS SPECIFIED LINEAR 0--18 ±0.1 >18--80 ±0.15 >80--250 ±0.2 x' ANGLE ±0.5'	DESIGN	CSJ	DATE	2018.05.11
SCALE	1:1		CHECKED	PYX	DATE	2018.05.11
PROJ.			REV.	AO	PAGE	2/2

MARK	CONTENT OF AMENDMENT	DATE	DRAW

This document is the property of JINPAT Electronics Co., Ltd (ShenZhen) (Hereafter "JINPAT"). It is lent and is to be returned upon request. The contents of this document are confidential and constitute trade secrets proprietary to JINPAT. Its contents document nor its contents shall be disclosed to any unauthorized person copied or published without JINPAT prior written consent.
 COPY RIGHT © 2018 JINPAT ELECTRONICS Co., Ltd (ShenZhen).



 JINPAT www.slipring.cn	MODEL	LPKS005-1005						
	Customer code	/			TITLE	Outline Drawing		
	UNIT	mm	TOL UNLESS SPECIFIED LINEAR 0--18 ±0.1 >18--80 ±0.15 >80--250 ±0.2 ANGLE x' ±0.5°	DESIGN	CSJ	DATE	2018.05.11	
	SCALE	1:1		CHECKED	PYX	DATE	2018.05.11	
	PROJ.			REV.	AO	PAGE	1/2	