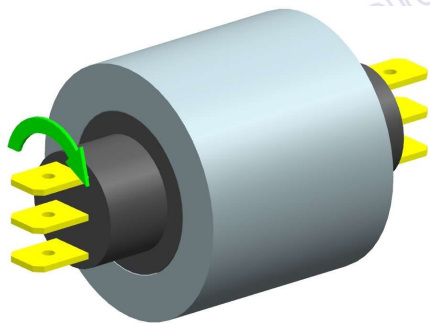
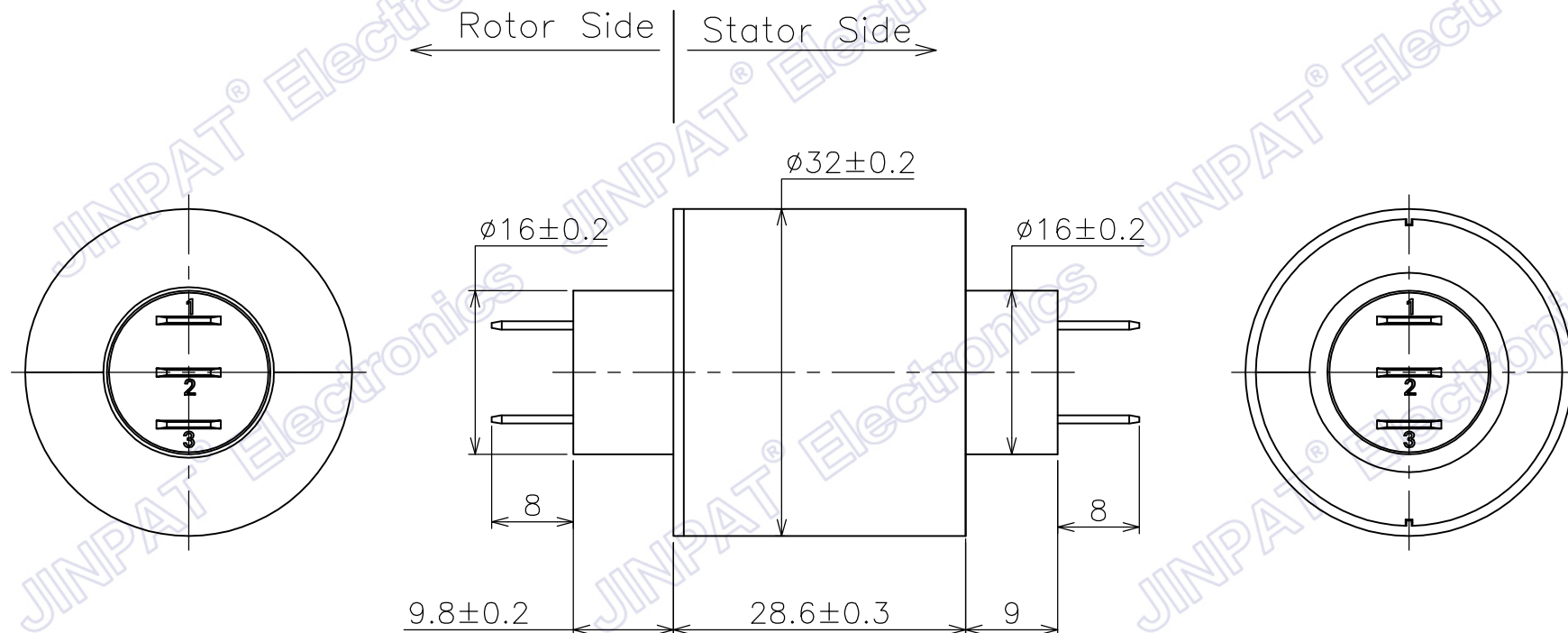


MARK	CONTENT OF AMENDMENT	DATE	DRAW

This document is the property of JINPAT Electronics Co., Ltd (ShenZhen) (Hereafter "JINPAT"). It is lent and is to be returned upon request. The contents of this document are confidential and constitute trade secrets proprietary to JINPAT. Its contents document nor its contents shall be disclosed to any unauthorized person copied or published without JINPAT prior written consent.  
COPY RIGHT © 2022 JINPAT ELECTRONICS Co., Ltd (ShenZhen).

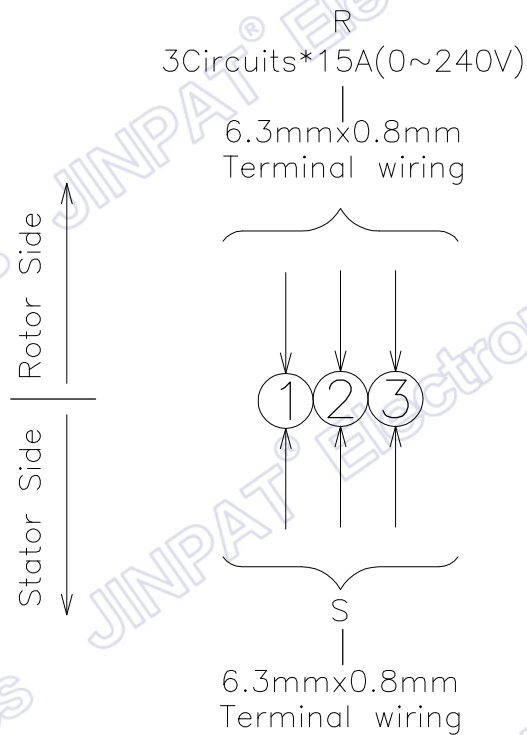


JINPAT  
www.slipring.cn

MODEL	LPR-3						
Customer code				TITLE	Outline Drawing		
UNIT	mm	TOL UNLESS SPECIFIED		DESIGN	ZYH	DATE	2022.06.08
SCALE	1:1	LINEAR 0--18 ±0.1 >18--80 ±0.15 >80--250 ±0.2 ANGLE ° ±0.5°		CHECKED	LML	DATE	2022.06.08
PROJ.				REV.	AO	PAGE	1/2

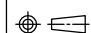
MARK	CONTENT OF AMENDMENT	DATE	DRAW

This document is the property of JINPAT Electronics Co., Ltd (ShenZhen) (Hereafter "JINPAT"). It is lent and is to be returned upon request. The contents of this document are confidential and constitute trade secrets propriety to JINPAT. Its contents document nor its contents shall be disclosed to any unauthorized person copied or published without JINPAT prior written consent.  
COPY RIGHT © 2022 JINPAT ELECTRONICS Co., Ltd (ShenZhen).



Electronic & Electric		Mechanical		
Circuits	Total	3 CKT	Working Speed	0~300rpm
	Detail	3Circuits*15A	Contact Material	Gold to Gold
Rating Voltage		0~240V AC/DC	Housing Material	Engineering plastics
Dielectric Strength		≥500VAC@50Hz	Lead Wire Length	/
Insulation Resistance		≥1000MΩ@500VDC	Electrical Noise	≤35mΩ
Environment		Remarks		
Working Temperature		-20°C~+60°C	Application	/
Working Humidity		≤60%RH	Conductor specification	Terminal wiring
IP		IP40		

  
**JINPAT**  
[www.slipring.cn](http://www.slipring.cn)

MODEL	LPR-3						
Customer code				TITLE	Wiring Diagram		
UNIT	mm	TOL UNLESS SPECIFIED		DESIGN	ZYH	DATE	2022.06.08
SCALE	1:1	LINEAR 0--18 ±0.1 >18--80 ±0.15 >80--250 ±0.2 ANGLE x° ±0.5°		CHECKED	LML	DATE	2022.06.08
PROJ.		REV.	A0	PAGE	2/2		