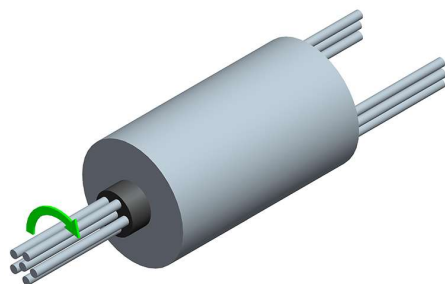
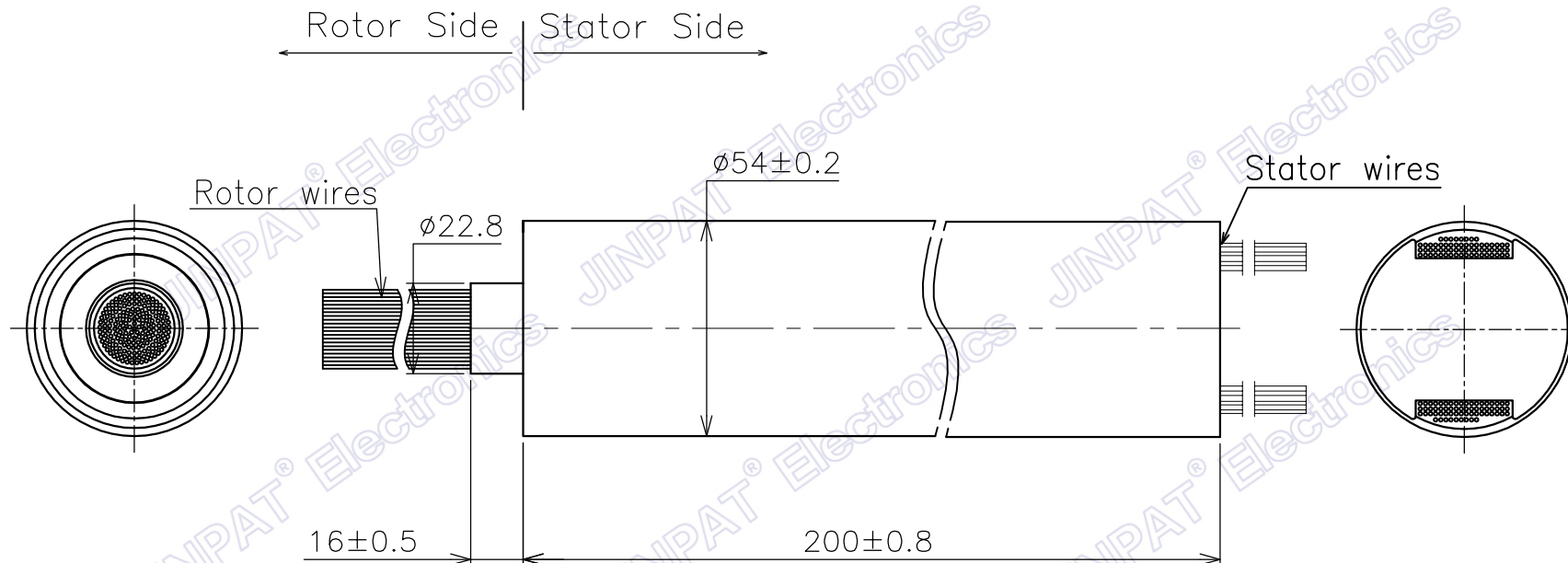

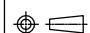


MARK	CONTENT OF AMENDMENT	DATE	DRAW

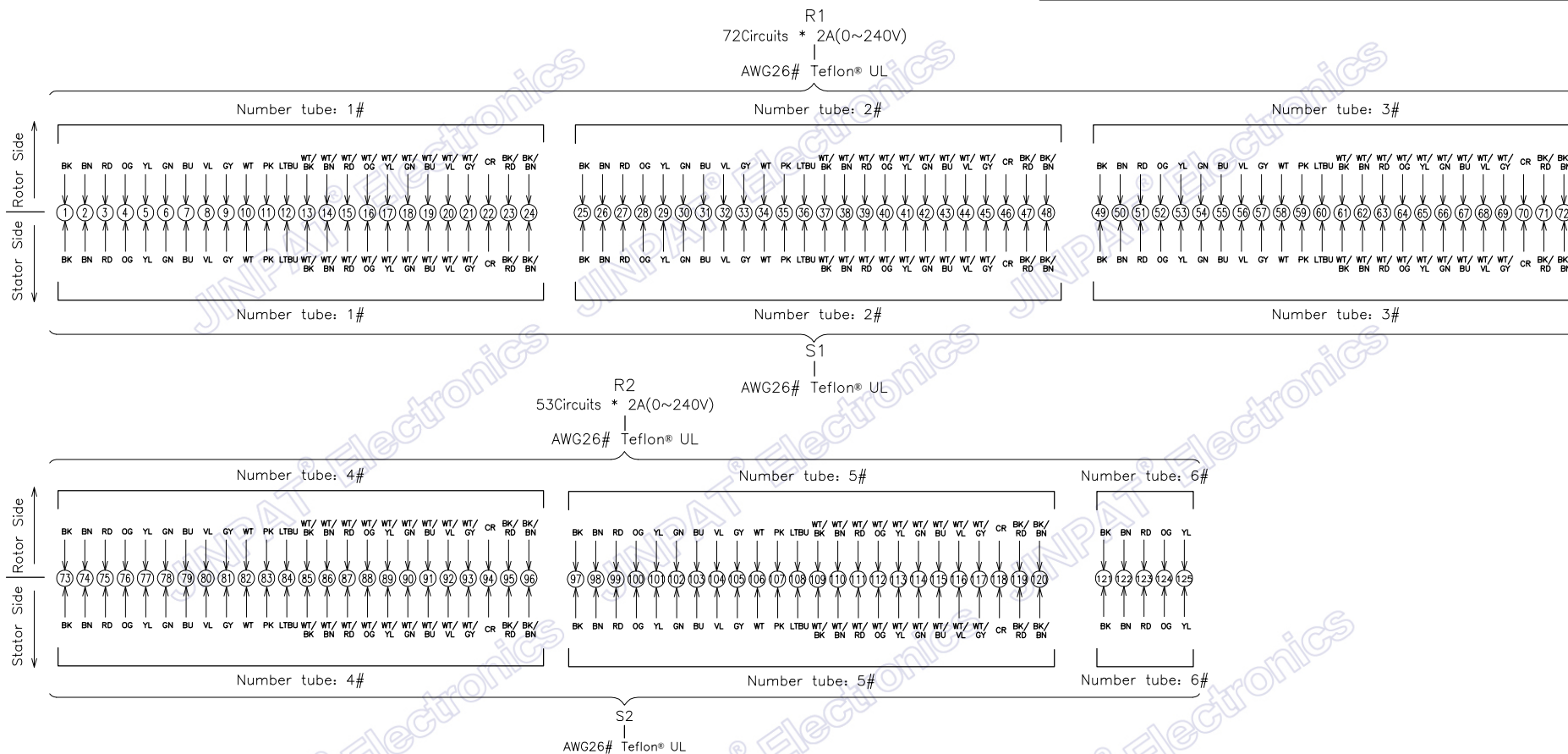
This document is the property of JINPAT Electronics Co., Ltd (ShenZhen) (Hereafter "JINPAT"). It is lent and is to be returned upon request. The contents of this document are confidential and constitute trade secrets propriety to JINPAT. Its contents document nor its contents shall be disclosed to any unauthorized person copied or published without JINPAT prior written consent.
COPY RIGHT © 2022 JINPAT ELECTRONICS Co., Ltd (ShenZhen).



 JINPAT www.slipring.cn	MODEL	LPC-125YU					
	Customer code		TITLE	Outline Drawing			
	UNIT	mm	TOL UNLESS SPECIFIED	DESIGN	ZYH	DATE	2022.04.02
	SCALE	1:1	LINEAR 0--18 ±0.1 >18--80 ±0.15 >80--250 ±0.2 ANGLE ° ±0.5°	CHECKED	LML	DATE	2022.04.02
PROJ.			REV.	AO	PAGE	1/2	

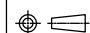
MARK	CONTENT OF AMENDMENT	DATE	DRAW

This document is the property of JINPAT Electronics Co., Ltd (ShenZhen) (Hereafter "JINPAT"). It is lent and is to be returned upon request. The contents of this document are confidential and constitute trade secrets proprietary to JINPAT. Its contents document nor its contents shall be disclosed to any unauthorized person copied or published without JINPAT prior written consent.
COPY RIGHT © 2022 JINPAT ELECTRONICS Co., Ltd (ShenZhen).



Electronic & Electric		Mechanical		
Circuits	Total	125 CKT	Working Speed	0~300rpm
	Detail	125x2A	Contact Material	Gold to Gold
Rating Voltage	0~240V AC/DC	Housing Material	Aluminum Alloy	
Dielectric Strength	≥500VAC@50Hz	Lead Wire Length	Stator:250±5mm Rotor:250±5mm	
Insulation Resistance	≥500MΩ@500VDC	Electrical Noise	≤35mΩ	
Environment		Remarks		
Working Temperature	-20°C~+60°C	Application	/	
Working Humidity	≤60%RH	Other	/	
IP	IP40			


JINPAT
www.slipring.cn

MODEL		LPC-125YU				
Customer code		TITLE	Wiring Diagram			
UNIT	mm	TOL UNLESS SPECIFIED	DESIGN	ZYH	DATE	2022.04.02
SCALE	1:1	LINEAR 0--18 ±0.1 >18--80 ±0.15 >80--250 ±0.2	CHECKED	LML	DATE	2022.04.02
PROJ.		ANGLE x° ±0.5°	REV.	AO	PAGE	2/2