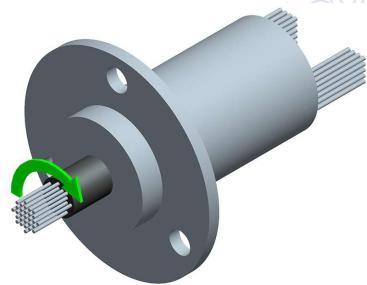
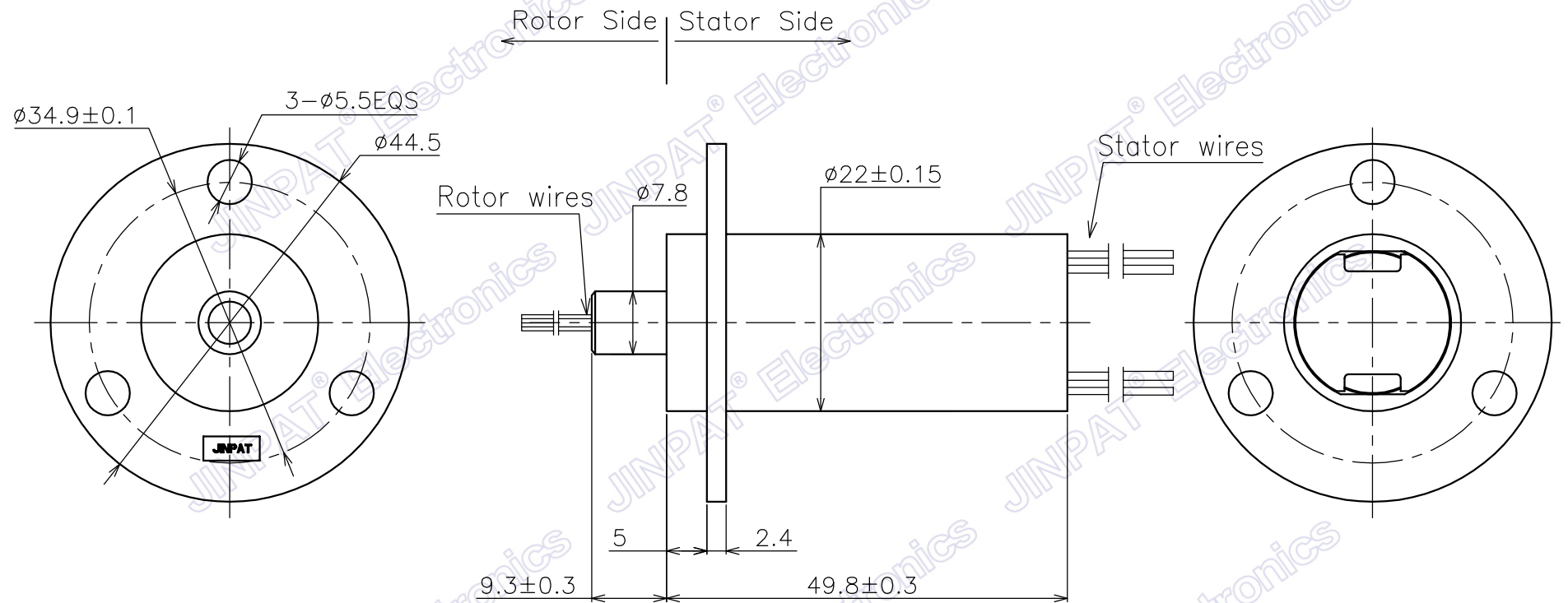

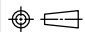


MARK	CONTENT OF AMENDMENT	DATE	DRAW

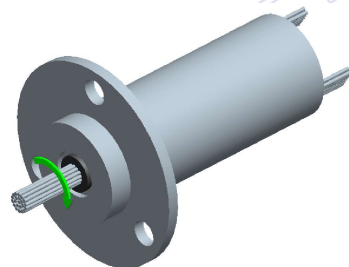
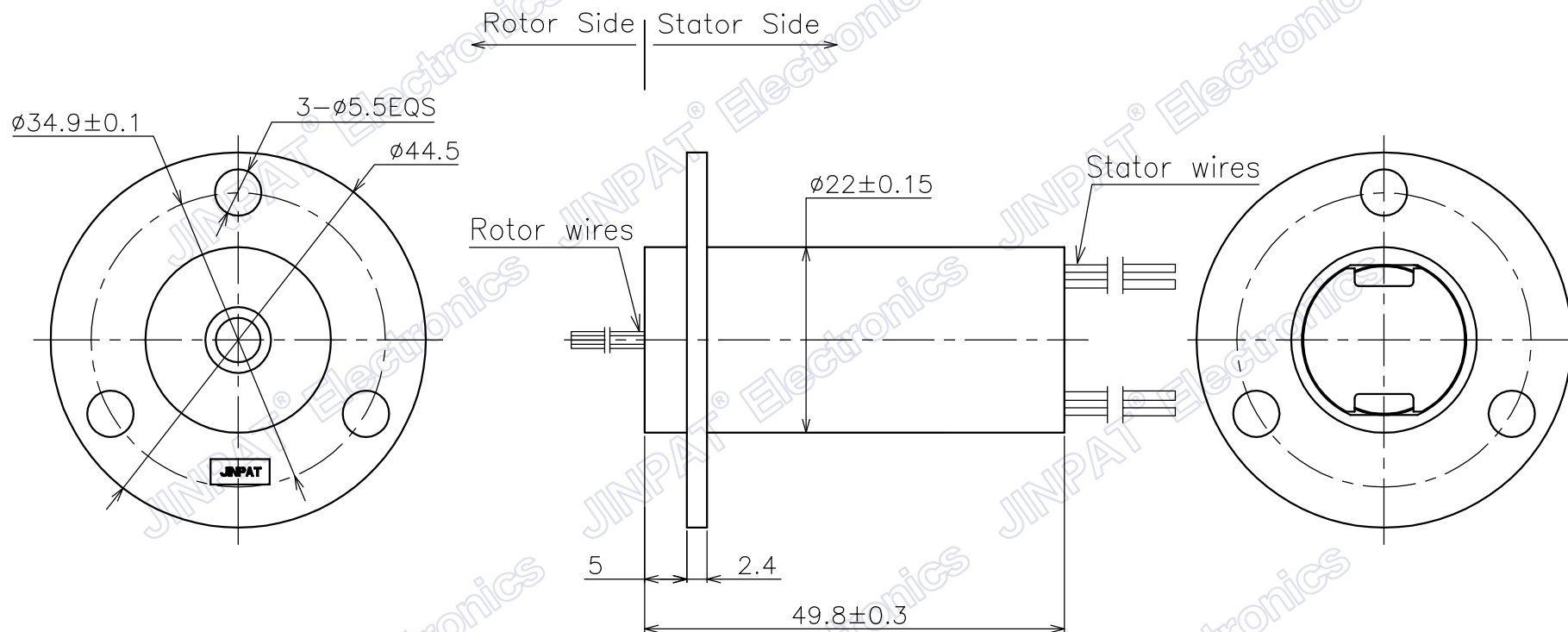
This document is the property of JINPAT Electronics Co., Ltd (ShenZhen) (Hereafter "JINPAT"). It is lent and is to be returned upon request. The contents of this document are confidential and constitute trade secrets propriety to JINPAT. Its contents document nor its contents shall be disclosed to any unauthorized person copied or published without JINPAT prior written consent.
COPY RIGHT © 2022 JINPAT ELECTRONICS Co., Ltd (ShenZhen).



 JINPAT www.slipring.cn	MODEL	LPC-30					
	Customer code		TITLE	Outline Drawing			
	UNIT	mm	TOL UNLESS SPECIFIED	DESIGN	ZYH	DATE	2022.04.02
	SCALE	1:1	LINEAR 0--18 ±0.1 >18--80 ±0.15 >80--250 ±0.2 ANGLE ° ±0.5°	CHECKED	LML	DATE	2022.04.02
PROJ.			REV.	AO	PAGE	1/2	

MARK	CONTENT OF AMENDMENT	DATE	DRAW

This document is the property of JINPAT Electronics Co., Ltd (ShenZhen) (Hereafter "JINPAT"). It is lent and is to be returned upon request. The contents of this document are confidential and constitute trade secrets propriety to JINPAT. Its contents document nor its contents shall be disclosed to any unauthorized person copied or published without JINPAT prior written consent.
COPY RIGHT © 2022 JINPAT ELECTRONICS Co., Ltd (ShenZhen).

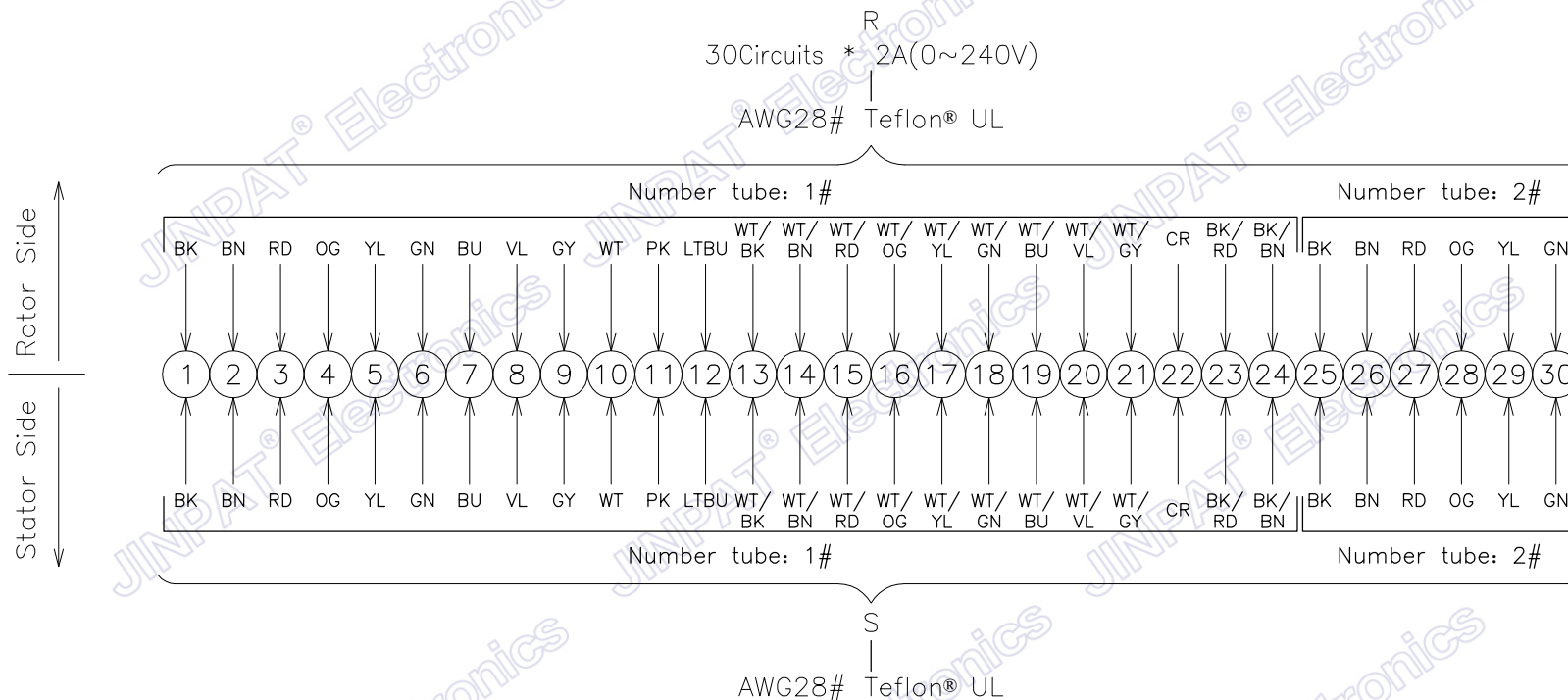


JINPAT
www.slipring.cn

MODEL	LPC-30YB						
Customer code				TITLE	Outline Drawing		
UNIT	mm	TOL UNLESS SPECIFIED		DESIGN	ZYH	DATE	2022.04.02
SCALE	1:1	LINEAR 0--18 ±0.1 >18--80 ±0.15 >80--250 ±0.2		CHECKED	LML	DATE	2022.04.02
PROJ.		ANGLE ° ±0.5°		REV.	AO	PAGE	1/2

MARK	CONTENT OF AMENDMENT	DATE	DRAW

This document is the property of JINPAT Electronics Co., Ltd (ShenZhen) (Hereafter "JINPAT"). It is lent and is to be returned upon request. The contents of this document are confidential and constitute trade secrets proprietary to JINPAT. Its contents document nor its contents shall be disclosed to any unauthorized person copied or published without JINPAT prior written consent.
COPY RIGHT © 2022 JINPAT ELECTRONICS Co., Ltd (ShenZhen).



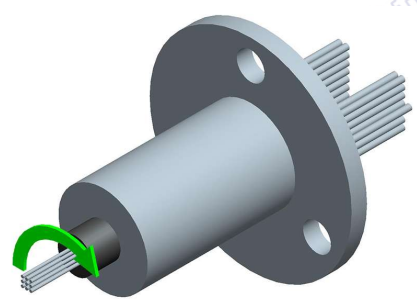
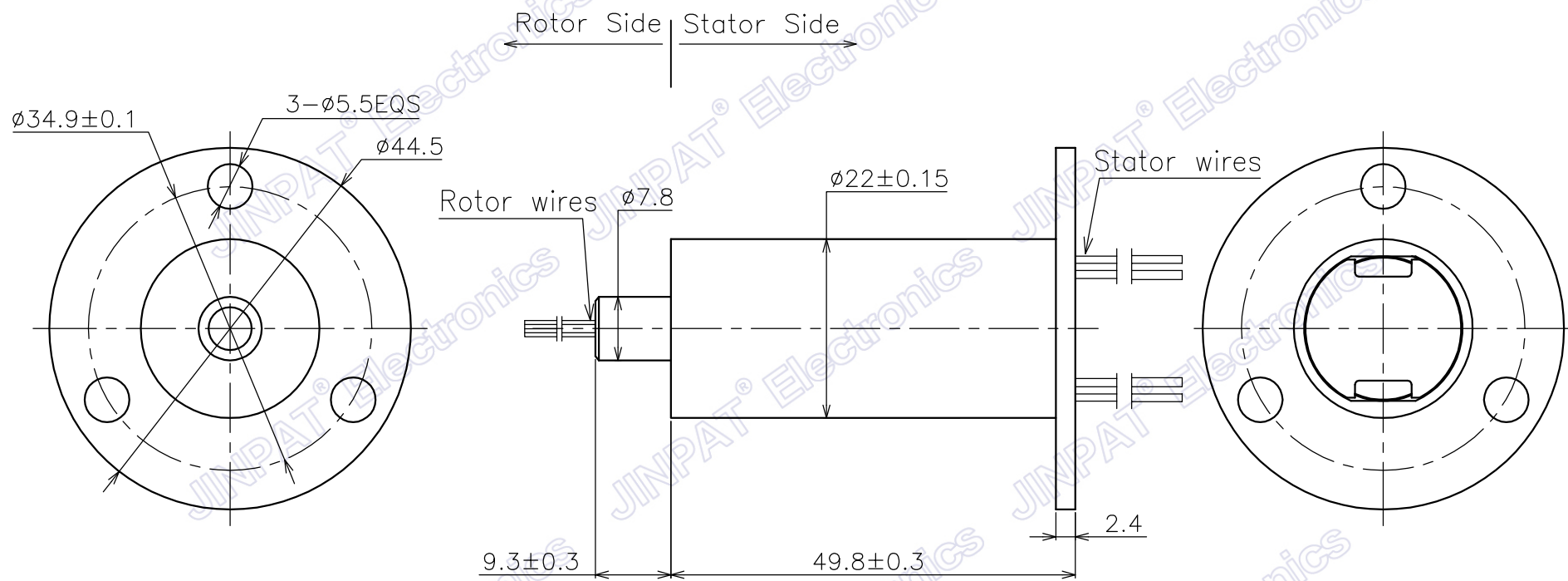
Electronic & Electric		Mechanical		
Circuits	Total	30 CKT	Working Speed	0~300rpm
	Detail	30x2A	Contact Material	Gold to Gold
Rating Voltage		0~240V AC/DC	Housing Material	Engineering plastics
Dielectric Strength		≥500VAC@50Hz	Lead Wire Length	Stator:250±5mm Rotor:250±5mm
Insulation Resistance		≥1000MΩ@500VDC	Electrical Noise	≤35mΩ
Environment		Remarks		
Working Temperature	-20°C~+60°C	Application	/	
Working Humidity	≤60%RH	Other	/	
IP	IP40			


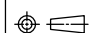

JINPAT
www.slipring.cn

MODEL		LPC-30YB				
Customer code		TITLE	Wiring Diagram			
	UNIT	mm	DESIGN	ZYH	DATE	2022.04.02
SCALE	1:1	TOL UNLESS SPECIFIED LINEAR 0--18 ±0.1 >18--80 ±0.15 >80--250 ±0.2 ANGLE x° ±0.5°	CHECKED	LML	DATE	2022.04.02
			PROJ.	REV.	AO	PAGE

MARK	CONTENT OF AMENDMENT	DATE	DRAW

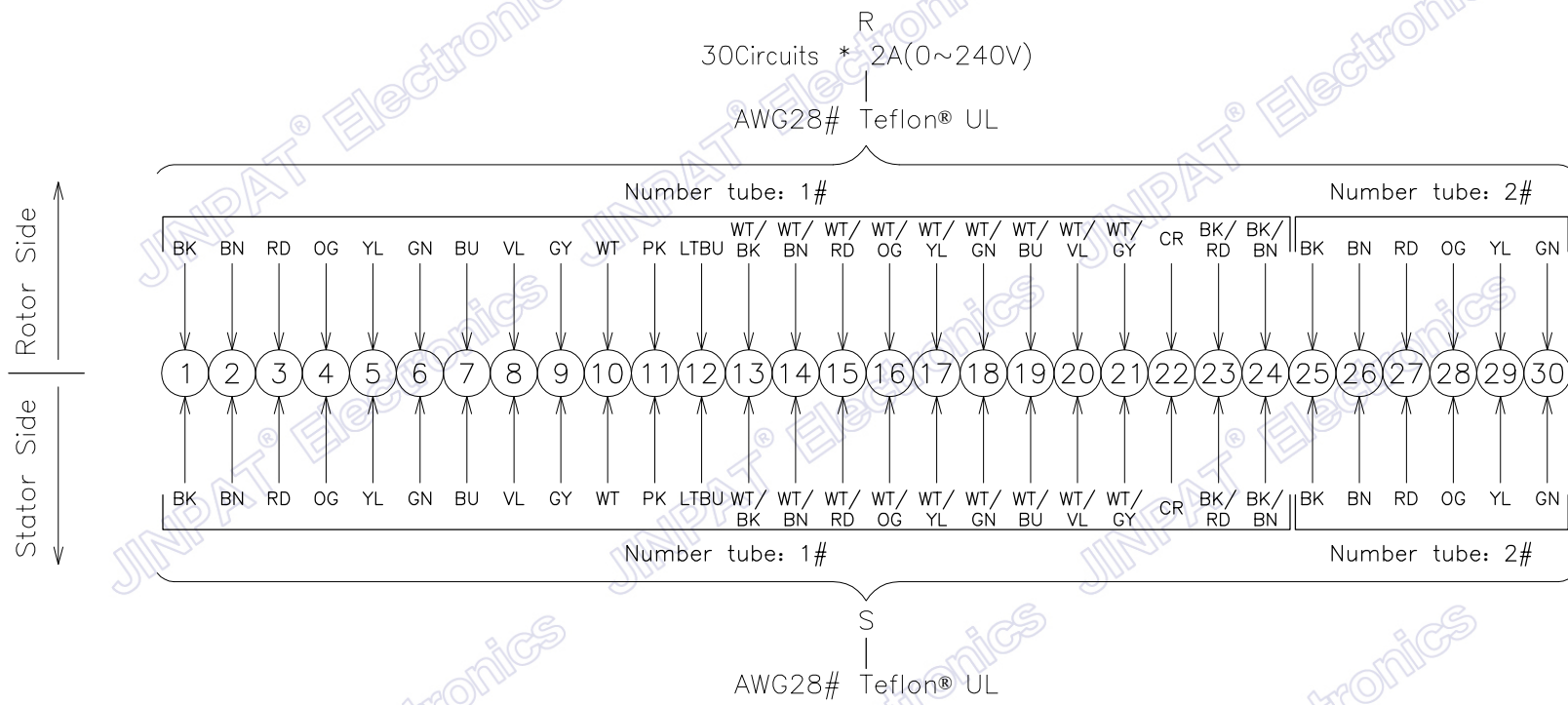
This document is the property of JINPAT Electronics Co., Ltd (ShenZhen) (Hereafter "JINPAT"). It is lent and is to be returned upon request. The contents of this document are confidential and constitute trade secrets proprietary to JINPAT. Its contents document nor its contents shall be disclosed to any unauthorized person copied or published without JINPAT prior written consent.
 COPY RIGHT © 2022 JINPAT ELECTRONICS Co., Ltd (ShenZhen).



 JINPAT www.slipring.cn	MODEL	LPC-30YD					
	Customer code		TITLE	Outline Drawing			
UNIT	mm	TOL UNLESS SPECIFIED LINEAR 0--18 ±0.1 >18--80 ±0.15 >80--250 ±0.2 ANGLE ° ±0.5°	DESIGN	ZYH	DATE	2022.04.02	
SCALE	1:1		CHECKED	LML	DATE	2022.04.02	
PROJ.			REV.	AO	PAGE	1/2	

MARK	CONTENT OF AMENDMENT	DATE	DRAW

This document is the property of JINPAT Electronics Co., Ltd (ShenZhen) (Hereafter "JINPAT"). It is lent and is to be returned upon request. The contents of this document are confidential and constitute trade secrets proprietary to JINPAT. Its contents document nor its contents shall be disclosed to any unauthorized person copied or published without JINPAT prior written consent.
COPY RIGHT © 2022 JINPAT ELECTRONICS Co., Ltd (ShenZhen).



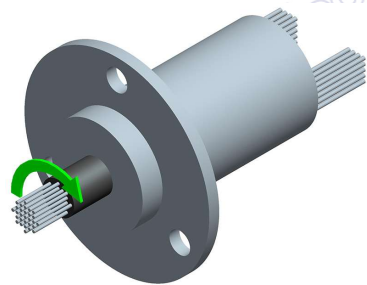
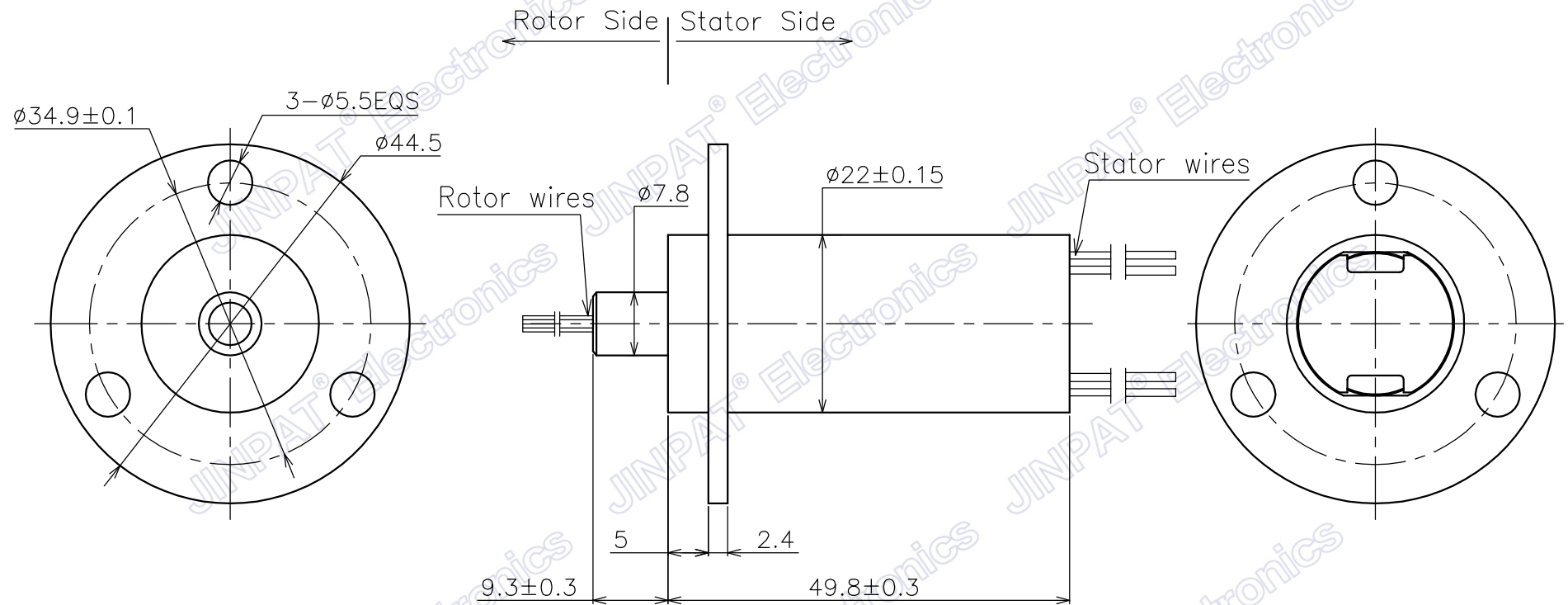
Electronic & Electric		Mechanical		
Circuits	Total	30 CKT	Working Speed	0~300rpm
	Detail	30x2A	Contact Material	Gold to Gold
Rating Voltage		0~240V AC/DC	Housing Material	Aluminum Alloy
Dielectric Strength		≥500VAC@50Hz	Lead Wire Length	Stator:250±5mm Rotor:250±5mm
Insulation Resistance		≥1000MΩ@500VDC	Electrical Noise	≤35mΩ
Environment		Remarks		
Working Temperature	-20°C~+60°C	Application	/	
Working Humidity	≤60%RH	Other	/	
IP	IP40			


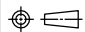
JINPAT
www.slipring.cn

MODEL		LPC-30YD				
Customer code		TITLE	Wiring Diagram			
	UNIT	mm	DESIGN	ZYH	DATE	2022.04.02
SCALE	1:1	TOL UNLESS SPECIFIED LINEAR 0--18 ±0.1 >18--80 ±0.15 >80--250 ±0.2 ANGLE x° ±0.5°	CHECKED	LML	DATE	2022.04.02
			PROJ.	REV.	AO	PAGE

MARK	CONTENT OF AMENDMENT	DATE	DRAW

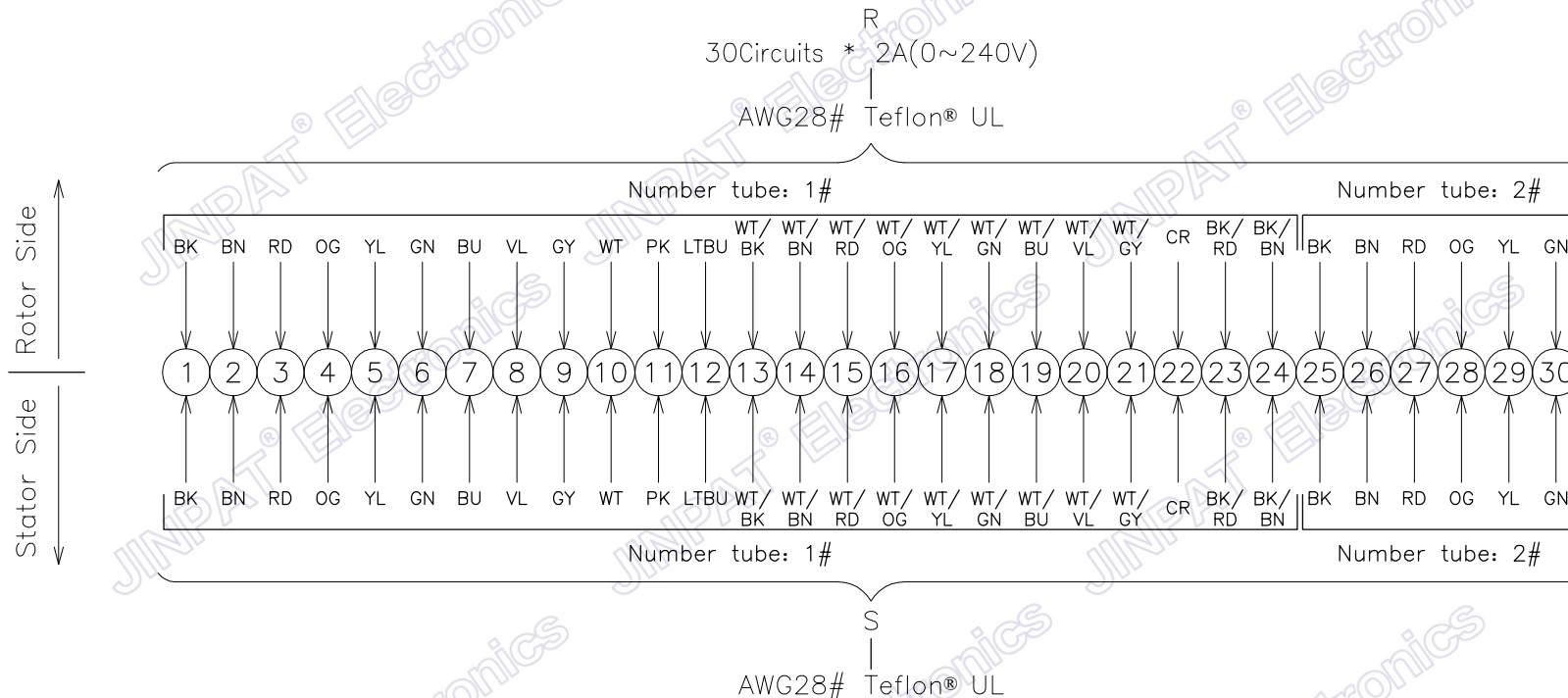
This document is the property of JINPAT Electronics Co., Ltd (ShenZhen) (Hereafter "JINPAT"). It is lent and is to be returned upon request. The contents of this document are confidential and constitute trade secrets propriety to JINPAT. Its contents document nor its contents shall be disclosed to any unauthorized person copied or published without JINPAT prior written consent.
COPY RIGHT © 2022 JINPAT ELECTRONICS Co., Ltd (ShenZhen).



 JINPAT www.slipring.cn	MODEL	LPC-30YJ					
	Customer code		TITLE	Outline Drawing			
UNIT	mm	TOL UNLESS SPECIFIED LINEAR 0--18 ±0.1 >18--80 ±0.15 >80--250 ±0.2 ANGLE ° ±0.5°	DESIGN	ZYH	DATE	2022.04.02	
SCALE	1:1		CHECKED	LML	DATE	2022.04.02	
PROJ.		REV.	AO	PAGE	1/2		

MARK	CONTENT OF AMENDMENT	DATE	DRAW

This document is the property of JINPAT Electronics Co., Ltd (ShenZhen) (Hereafter "JINPAT"). It is lent and is to be returned upon request. The contents of this document are confidential and constitute trade secrets proprietary to JINPAT. Its contents document nor its contents shall be disclosed to any unauthorized person copied or published without JINPAT prior written consent.
COPY RIGHT © 2022 JINPAT ELECTRONICS Co., Ltd (ShenZhen).



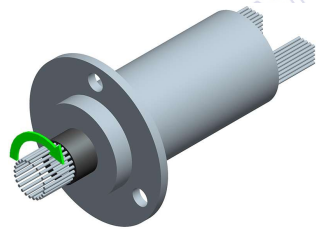
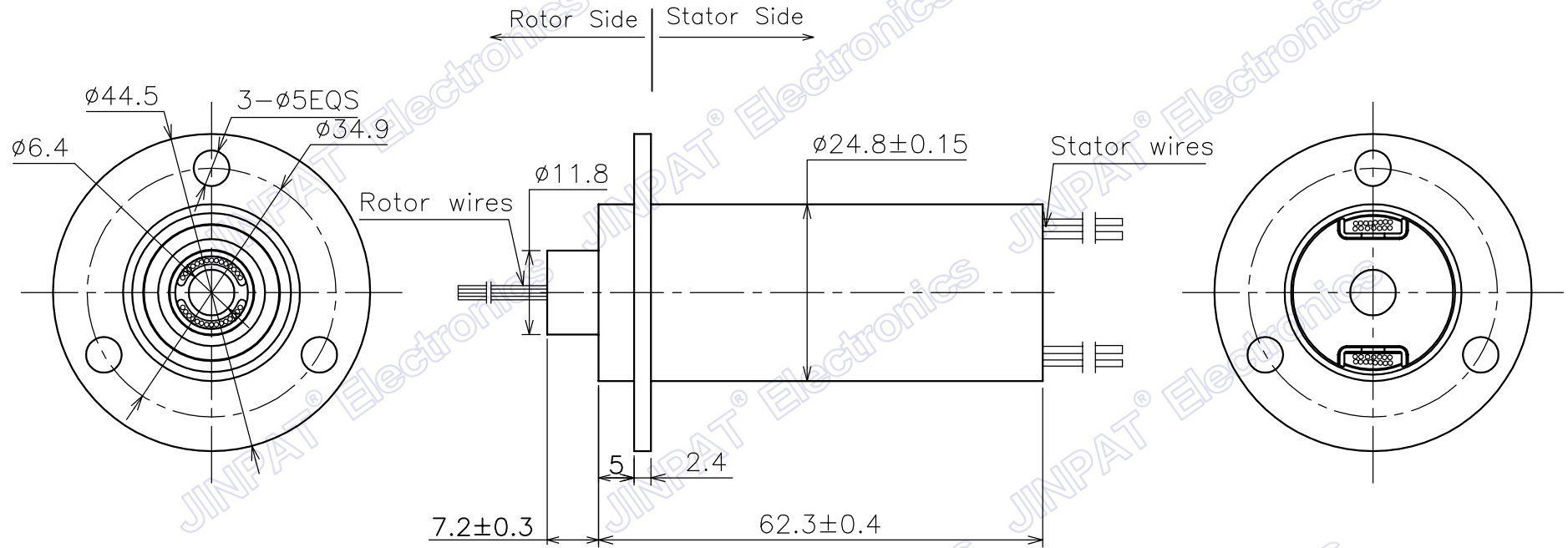
Electronic & Electric		Mechanical		
Circuits	Total	30 CKT	Working Speed	0~300rpm
	Detail	30x2A	Contact Material	Gold to Gold
Rating Voltage		0~240V AC/DC	Housing Material	Aluminum Alloy
Dielectric Strength		≥500VAC@50Hz	Lead Wire Length	Stator:250±5mm Rotor:250±5mm
Insulation Resistance		≥1000MΩ@500VDC	Electrical Noise	≤35mΩ
Environment		Remarks		
Working Temperature	-20°C~+60°C	Application	/	
Working Humidity	≤60%RH	Other	/	
IP	IP40			


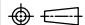

JINPAT
www.slipring.cn

MODEL		LPC-30YJ				
Customer code		TITLE	Wiring Diagram			
	UNIT	mm	DESIGN	ZYH	DATE	2022.04.02
SCALE	1:1	TOL UNLESS SPECIFIED LINEAR 0--18 ±0.1 >18--80 ±0.15 >80--250 ±0.2 ANGLE x° ±0.5°	CHECKED	LML	DATE	2022.04.02
			PROJ.	REV.	AO	PAGE

MARK	CONTENT OF AMENDMENT	DATE	DRAW

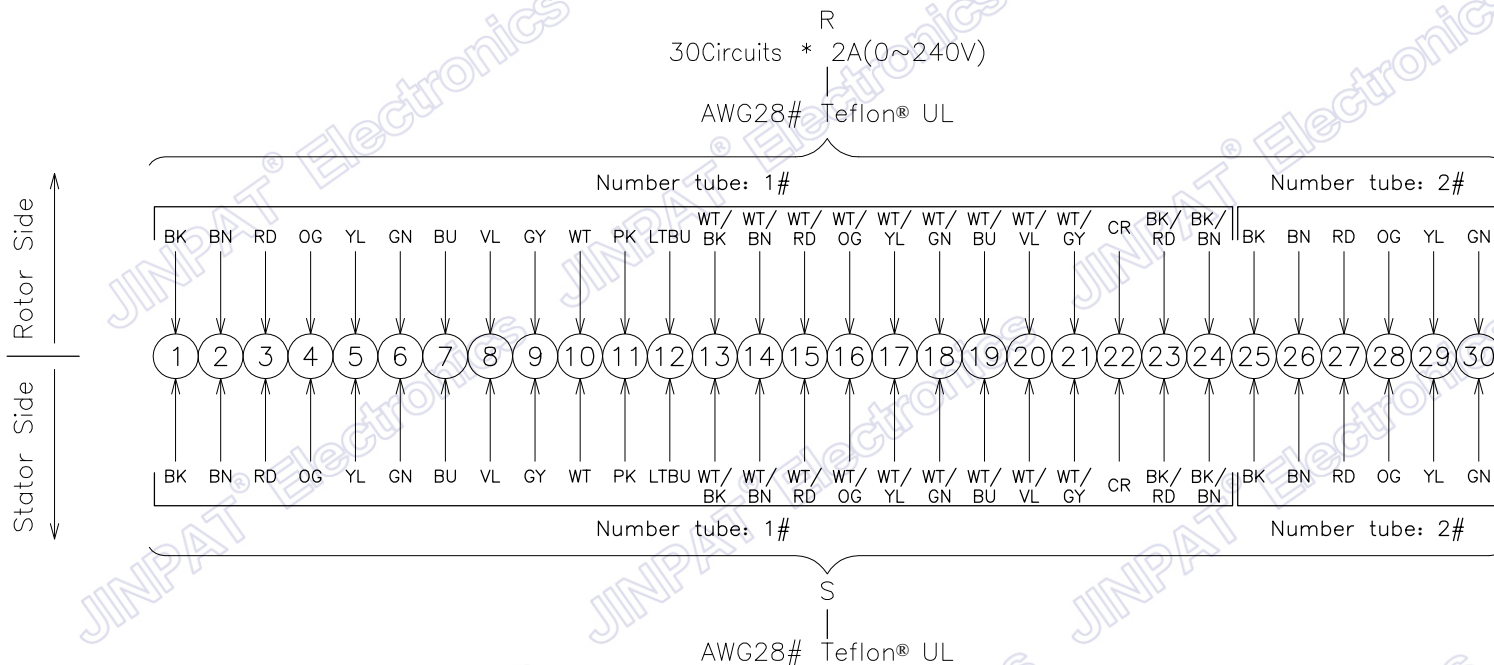
This document is the property of JINPAT Electronics Co., Ltd (ShenZhen) (Hereafter "JINPAT"). It is lent and is to be returned upon request. The contents of this document are confidential and constitute trade secrets propriety to JINPAT. Its contents document nor its contents shall be disclosed to any unauthorized person copied or published without JINPAT prior written consent.
COPY RIGHT © 2022 JINPAT ELECTRONICS Co., Ltd (ShenZhen).



 JINPAT www.slipring.cn	MODEL	LPC-30YT					
	Customer code		TITLE	Outline Drawing			
	UNIT	mm	TOL UNLESS SPECIFIED	DESIGN	ZYH	DATE	2022.04.02
	SCALE	1:1	LINEAR 0--18 ±0.1 >18--80 ±0.15 >80--250 ±0.2 ANGLE ° ±0.5°	CHECKED	LML	DATE	2022.04.02
PROJ.			REV.	AO	PAGE	1/2	

MARK	CONTENT OF AMENDMENT	DATE	DRAW

This document is the property of JINPAT Electronics Co., Ltd (ShenZhen) (Hereafter "JINPAT"). It is lent and is to be returned upon request. The contents of this document are confidential and constitute trade secrets propriety to JINPAT. Its contents document nor its contents shall be disclosed to any unauthorized person copied or published without JINPAT prior written consent.
COPY RIGHT © 2022 JINPAT ELECTRONICS Co., Ltd (ShenZhen).



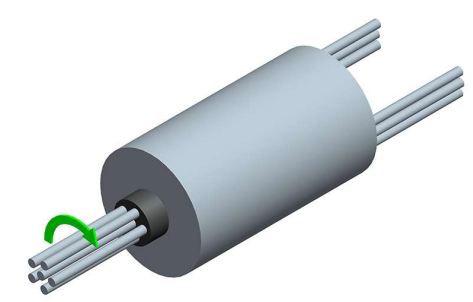
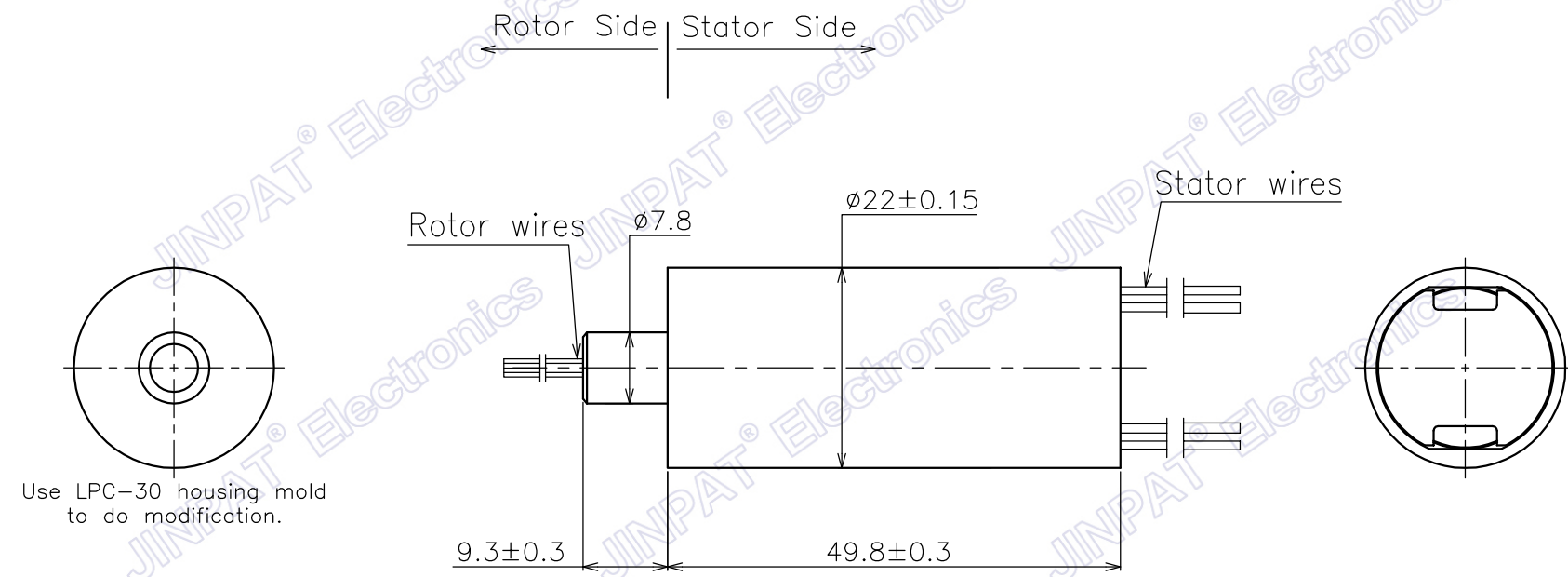
Electronic & Electric		Mechanical		
Circuits	Total	30 CKT	Working Speed	0~300rpm
	Detail	30x2A	Contact Material	Gold to Gold
Rating Voltage		0~240V AC/DC	Housing Material	Aluminum Alloy
Dielectric Strength		≥500VAC@50Hz	Lead Wire Length	Stator:250±5mm Rotor:250±5mm
Insulation Resistance		≥100MΩ@500VDC	Electrical Noise	≤35mΩ
Environment		Remarks		
Working Temperature	-20°C~+60°C	Application	/	
Working Humidity	≤60%RH	Other	/	
IP	IP40			


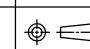


MODEL		LPC-30YT				
Customer code		TITLE	Wiring Diagram			
UNIT	mm	TOL UNLESS SPECIFIED	DESIGN	ZYH	DATE	2022.04.02
SCALE	1:1	LINEAR 0-18 ±0.1 >18-80 ±0.15 >80-250 ±0.2 ANGLE x° ±0.5°	CHECKED	LML	DATE	2022.04.02
PROJ.			REV.	AO	PAGE	2/2

MARK	CONTENT OF AMENDMENT	DATE	DRAW

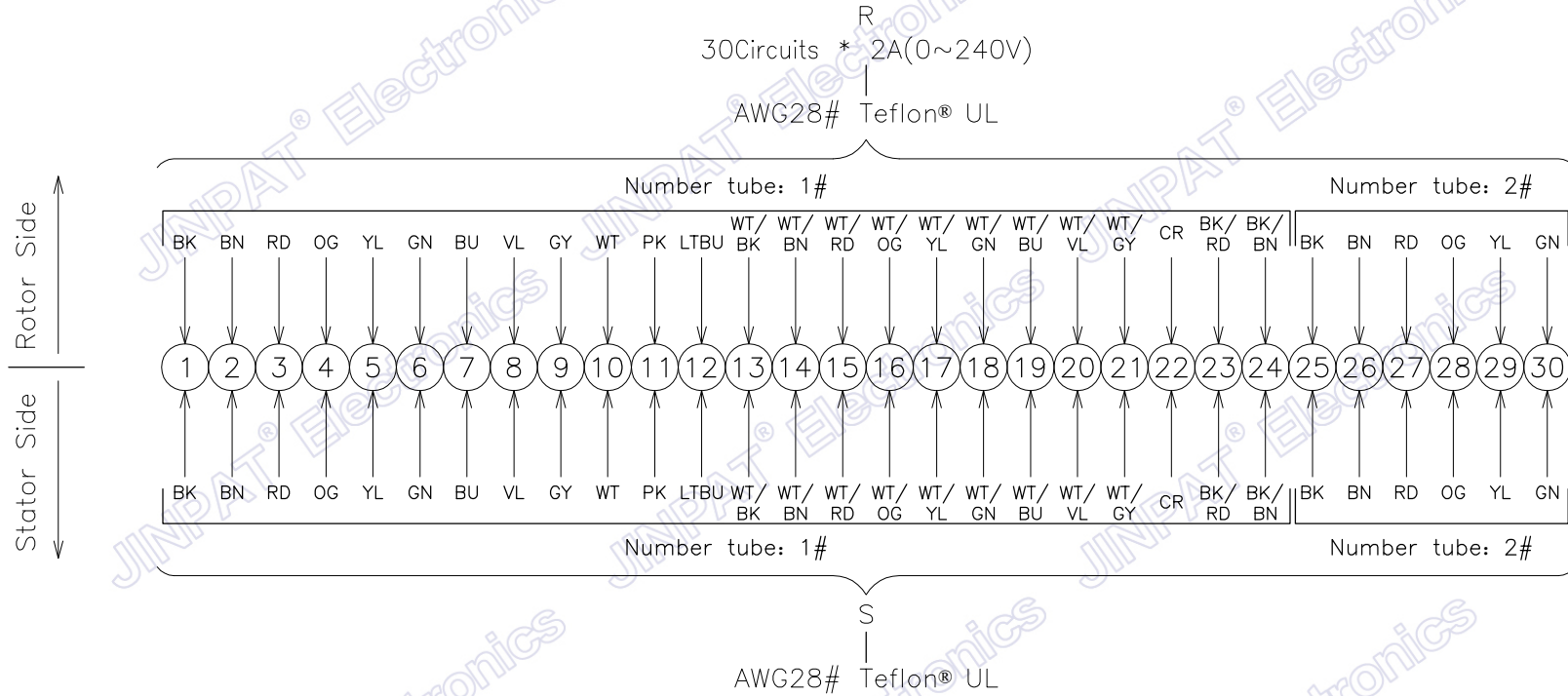
This document is the property of JINPAT Electronics Co., Ltd (ShenZhen) (Hereafter "JINPAT"). It is lent and is to be returned upon request. The contents of this document are confidential and constitute trade secrets propriety to JINPAT. Its contents document nor its contents shall be disclosed to any unauthorized person copied or published without JINPAT prior written consent.
 COPY RIGHT © 2022 JINPAT ELECTRONICS Co., Ltd (ShenZhen).



 JINPAT www.slipring.cn		MODEL		LPC-30YU			
		Customer code		TITLE	Outline Drawing		
UNIT	mm	TOL UNLESS SPECIFIED LINEAR 0--18 ±0.1 >18--80 ±0.15 >80--250 ±0.2 ANGLE ° ±0.5°	DESIGN	ZYH	DATE	2022.04.02	
SCALE	1:1		CHECKED	LML	DATE	2022.04.02	
PROJ.			REV.	AO	PAGE	1/2	

MARK	CONTENT OF AMENDMENT	DATE	DRAW

This document is the property of JINPAT Electronics Co., Ltd (ShenZhen) (Hereafter "JINPAT"). It is lent and is to be returned upon request. The contents of this document are confidential and constitute trade secrets proprietary to JINPAT. Its contents document nor its contents shall be disclosed to any unauthorized person copied or published without JINPAT prior written consent.
COPY RIGHT © 2022 JINPAT ELECTRONICS Co., Ltd (ShenZhen).



Electronic & Electric		Mechanical		
Circuits	Total	30 CKT	Working Speed	0~300rpm
	Detail	30x2A	Contact Material	Gold to Gold
Rating Voltage		0~240V AC/DC	Housing Material	Engineering plastics
Dielectric Strength		≥500VAC@50Hz	Lead Wire Length	Stator:250±5mm Rotor:250±5mm
Insulation Resistance		≥1000MΩ@500VDC	Electrical Noise	≤35mΩ
Environment		Remarks		
Working Temperature		-20°C~+60°C	Application	/
Working Humidity		≤60%RH	Other	/
IP		IP40		



MODEL		LPC-30YU				
Customer code			TITLE	Wiring Diagram		
	UNIT	mm	DESIGN	ZYH	DATE	2022.04.02
SCALE	1:1	TOL UNLESS SPECIFIED LINEAR 0--18 ±0.1 >18--80 ±0.15 >80--250 ±0.2 ANGLE x° ±0.5°	CHECKED	LML	DATE	2022.04.02
			PROJ.	REV.	AO	PAGE