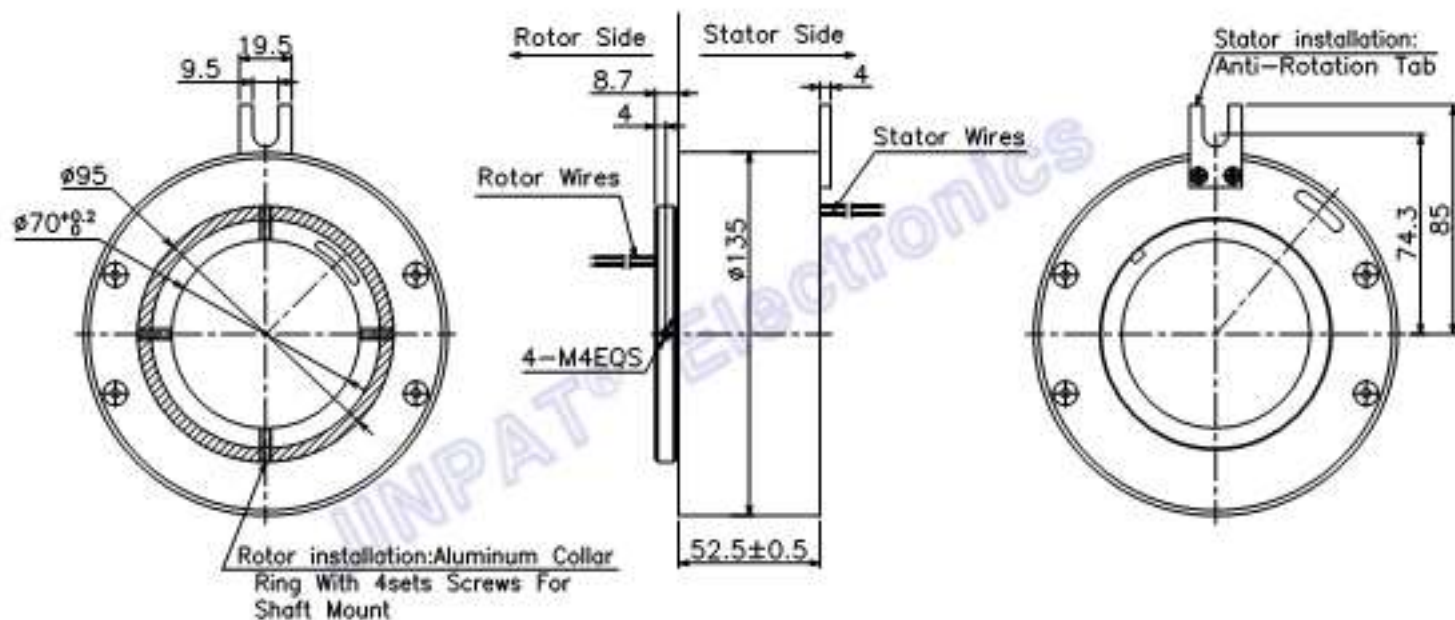


| NO. | CONTENT OF AMENDMENT | DATE | BY |
|-----|----------------------|------|----|
|     |                      |      |    |
|     |                      |      |    |
|     |                      |      |    |

This document is the property of JINPAT Electronics Co., Ltd (ShenZhen) (Hereafter "JINPAT"). It is lent and is to be returned upon request. The contents of this document are confidential and constitute trade secrets proprietary to JINPAT. Its contents document nor its contents shall be disclosed to any unauthorized person copied or published without JINPAT prior written consent.  
COPY RIGHT © 2018 JINPAT ELECTRONICS Co., Ltd (ShenZhen).

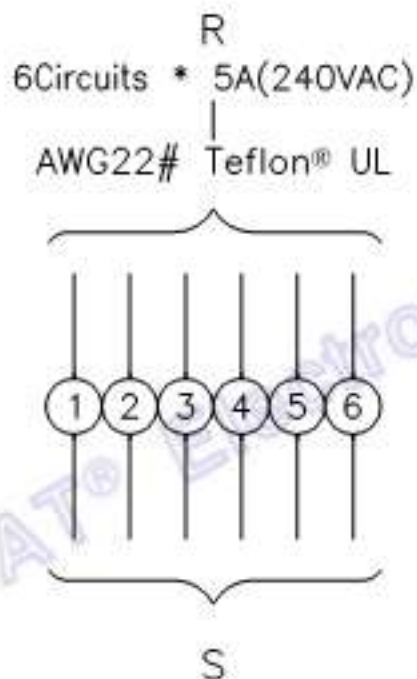


JINPAT  
www.slipring.cn

| MODEL         | LPT070-0605 |  |         |                 |      |            |  |
|---------------|-------------|--|---------|-----------------|------|------------|--|
| Customer code | /           |  | TITLE   | Outline Drawing |      |            |  |
| UNIT          | mm          | NO. WIRE SPECIFIED   | DESIGN  | HW              | DATE | 2018.08.03 |  |
| SCALE         | 1:1         | LINE<br>1-18-02 02.1<br>18-20 02.2<br>20-22 02.3<br>22-24 02.4 | CHECKED | LWL             | DATE | 2018.08.03 |  |
| PROJ.         |             | NO. 7  | REV.    | AG              | PAGE | 1/2        |  |


| NO. | CONTENT OF AMENDMENT | DATE | BY |
|-----|----------------------|------|----|
|     |                      |      |    |
|     |                      |      |    |

This document is the property of JINPAT Electronics Co., Ltd (ShenZhen) (Hereafter "JINPAT"). It is lent and is to be returned upon request. The contents of this document are confidential and constitute trade secrets proprietary to JINPAT. Its contents document nor its contents shall be disclosed to any unauthorized person copied or published without JINPAT prior written consent.  
COPY RIGHT © 2018 JINPAT ELECTRONICS Co., Ltd (ShenZhen).



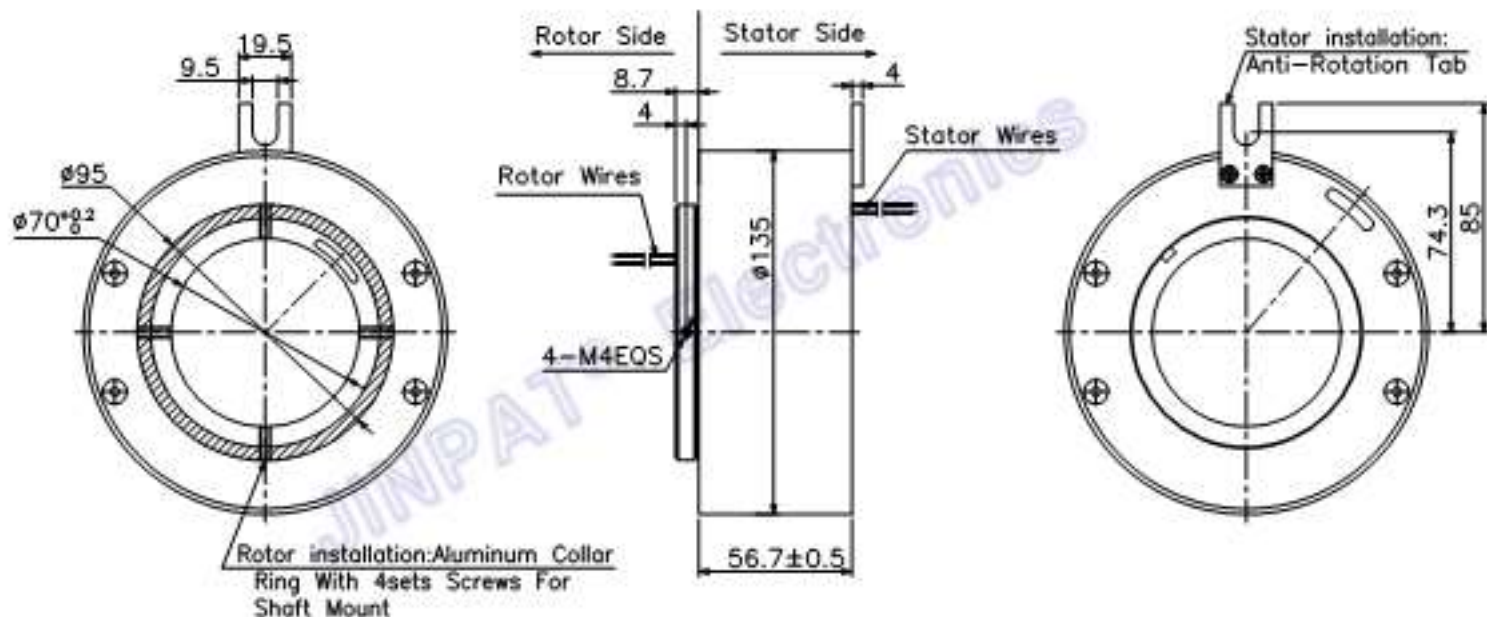
| Electronic & Electric |              | Mechanical       |                         |          |
|-----------------------|--------------|------------------|-------------------------|----------|
| Circuits              | Total        | 6 CRT            | Working Speed           | 0-300rpm |
|                       | Detail       | 6/6              | Inner Diameter          | ±70mm    |
| Rating Voltage        | 240V AC/DC   | Contact Material | Precious Metal          |          |
| Dielectric Strength   | 1000VAC@50Hz | Housing Material | Aluminum Alloy          |          |
| Insulation Resistance | >300MΩ@50VDC | Lead Wire Length | Outer:300mm Inner:300mm |          |
| Environment           |              | Remarks          |                         |          |
| Working Temperature   | -20°C~+80°C  | Other            | /                       |          |
| Working Humidity      | 40%RH        |                  |                         |          |

  
**JINPAT**  
 www.slipring.cn

| MODEL         | LPT070-0605   |  |         |                |      |            |  |
|---------------|---|--|---------|----------------|------|------------|--|
| Customer code | /   |  | TITLE   | Wiring Diagram |      |            |  |
| LWT           | mm  | PL UNITS SPECIFIED                                       | DESIGN  | HW             | DATE | 2018.08.03 |  |
| SCALE         | 1:1   | 5-19 05.1<br>1-8-02 02.12<br>1-8-02 02.2<br>02.2<br>02.2 | CHECKED | LWL            | DATE | 2018.08.03 |  |
| PROJ.         |  | 02.2   | REV.    | AG             | PAGE | 1/2        |  |

| NO. | CONTENT OF AMENDMENT | DATE | BY |
|-----|----------------------|------|----|
|     |                      |      |    |
|     |                      |      |    |
|     |                      |      |    |

This document is the property of JINPAT Electronics Co., Ltd (Shenzhen) (Hereafter "JINPAT"). It is lent and is to be returned upon request. The contents of this document are confidential and constitute trade secrets proprietary to JINPAT. Its contents document nor its contents shall be disclosed to any unauthorized person copied or published without JINPAT prior written consent.  
COPY RIGHT © 2018 JINPAT ELECTRONICS Co., Ltd (Shenzhen).



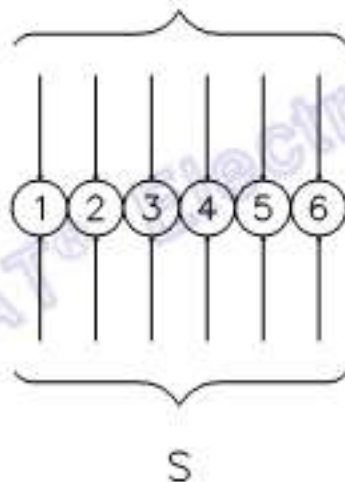
JINPAT  
www.slipring.cn

| MODEL         | LPT070-0610 |   |         |                 |      |            |  |
|---------------|-------------|---|---------|-----------------|------|------------|--|
| Customer code | /           |   | TITLE   | Outline Drawing |      |            |  |
| UNIT          | mm          | REVISION SPECIFIED  | DESIGN  | HW              | DATE | 2018.06.03 |  |
| SCALE         | 1:1         | 1-10 01.1<br>11-20 02.2<br>21-30 03.3<br>31-40 04.4<br>41-50 05.5<br>51-60 06.6<br>61-70 07.7<br>71-80 08.8<br>81-90 09.9<br>91-100 10.10 | CHECKED | LWL             | DATE | 2018.06.03 |  |
| PROJ.         |             | REV.  | AG      | PAGE            | 1/2  |            |  |

| NO. | CONTENT OF AMENDMENT | DATE | BY |
|-----|----------------------|------|----|
|     |                      |      |    |
|     |                      |      |    |

This document is the property of JINPAT Electronics Co., Ltd (ShenZhen) (Hereafter "JINPAT"). It is lent and is to be returned upon request. The contents of this document are confidential and constitute trade secrets propriety to JINPAT. Its contents document nor its contents shall be disclosed to any unauthorized person copied or published without JINPAT prior written consent.  
COPY RIGHT © 2018 JINPAT ELECTRONICS Co., Ltd (ShenZhen).

R  
6Circuits \* 10A(240VAC)  
|  
AWG17# Teflon® UL



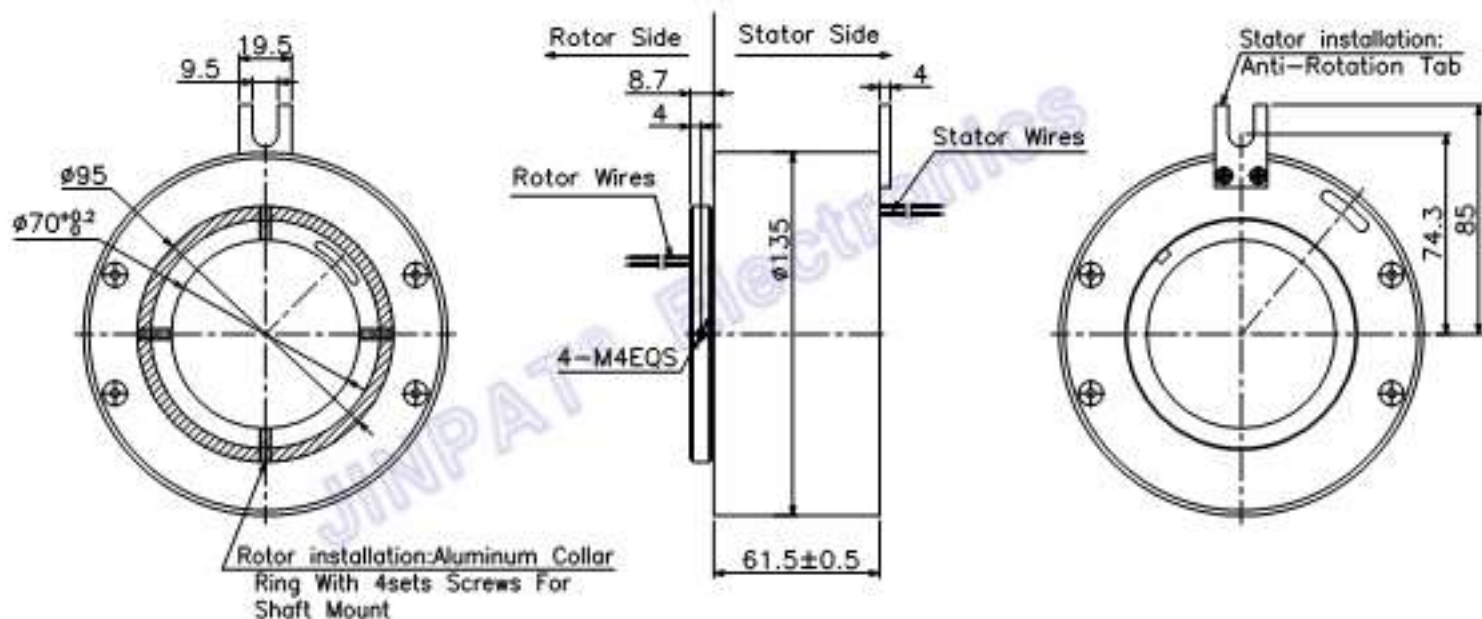
| Electronic & Electric |              | Mechanical       |                         |          |
|-----------------------|--------------|------------------|-------------------------|----------|
| Circuits              | Total        | 6 CIR            | Working Speed           | 0-300rpm |
|                       | Detail       | 6x10A            | Inner Diameter          | φ70mm    |
| Rating Voltage        | 240V AC/DC   | Contact Material | Preious Metal           |          |
| Dielectric Strength   | 1000VAC@50Hz | Housing Material | Aluminum Alloy          |          |
| Insulation Resistance | >300MΩ@50VDC | Lead Wire Length | Outer:300mm Inner:300mm |          |
| Environment           |              | Remarks          |                         |          |
| Working Temperature   | -20°C~+80°C  | Other            | /                       |          |
| Working Humidity      | 40%RH        |                  |                         |          |

  
JINPAT  
www.slipring.cn

| MODEL         | LPT070-0610 |   |         |                |      |            |
|---------------|-------------|---|---------|----------------|------|------------|
| Customer code | /           |   | TITLE   | Wiring Diagram |      |            |
| UNIT          | mm          | ALL UNITS SPECIFIED IN MM                       | DESIGN  | HW             | DATE | 2018.08.03 |
| SCALE         | 1:1         | 1-18 08.1<br>1-9 08.10<br>1-8 08.12<br>1-1 08.1 | CHECKED | LWL            | DATE | 2018.08.03 |
| PROJ.         |             | 08.1  | REV.    | AG             | PAGE | 1/2        |

| NO. | CONTENT OF AMENDMENT | DATE | BY |
|-----|----------------------|------|----|
|     |                      |      |    |
|     |                      |      |    |
|     |                      |      |    |

This document is the property of JINPAT Electronics Co., Ltd (Shenzhen) (Hereafter "JINPAT"). It is lent and is to be returned upon request. The contents of this document are confidential and constitute trade secrets proprietary to JINPAT. Its contents document nor its contents shall be disclosed to any unauthorized person copied or published without JINPAT prior written consent.  
COPY RIGHT © 2018 JINPAT ELECTRONICS Co., Ltd (Shenzhen).



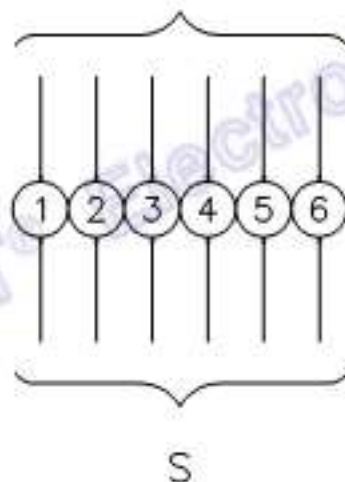
JINPAT  
www.slipring.cn

| MODEL         | LPT070-0615 |  |         |                 |      |            |  |
|---------------|-------------|--|---------|-----------------|------|------------|--|
| Customer code | /           |  | TITLE   | Outline Drawing |      |            |  |
| UNIT          | mm          | NO. WIRE SPECIFIED                                     | DESIGN  | HW              | DATE | 2018.06.03 |  |
| SCALE         | 1:1         | UNION<br>1-18-02 02.19<br>1-18-20 02.2<br>1-18-21 02.2 | CHECKED | LWL             | DATE | 2018.06.03 |  |
| PROJ.         |             | NO. 7  | REV.    | AG              | PAGE | 1/2        |  |

| NO. | CONTENT OF AMENDMENT | DATE | BY |
|-----|----------------------|------|----|
|     |                      |      |    |
|     |                      |      |    |

This document is the property of JINPAT Electronics Co., Ltd (ShenZhen) (Hereafter "JINPAT"). It is lent and is to be returned upon request. The contents of this document are confidential and constitute trade secrets proprietary to JINPAT. Its contents document nor its contents shall be disclosed to any unauthorized person copied or published without JINPAT prior written consent.  
COPY RIGHT © 2018 JINPAT ELECTRONICS Co., Ltd (ShenZhen).

R  
6Circuits \* 15A(240VAC)  
|  
AWG14# Teflon® UL



| Electronic & Electric |               | Mechanical       |                         |          |
|-----------------------|---------------|------------------|-------------------------|----------|
| Circuits              | Total         | 6 CRT            | Working Speed           | 0-300rpm |
|                       | Detail        | 6/15A            | Inner Diameter          | ±70mm    |
| Rating Voltage        | 240V AC/DC    | Contact Material | Precious Metal          |          |
| Dielectric Strength   | 1000VAC/50Hz  | Housing Material | Aluminum Alloy          |          |
| Insulation Resistance | >300MΩ/500VDC | Lead Wire Length | Outer:300mm Inner:300mm |          |
| Environment           |               | Remarks          |                         |          |
| Working Temperature   | -20°C~+80°C   | Other            | /                       |          |
| Working Humidity      | 40%RH         |                  |                         |          |

  
JINPAT  
www.slipring.cn

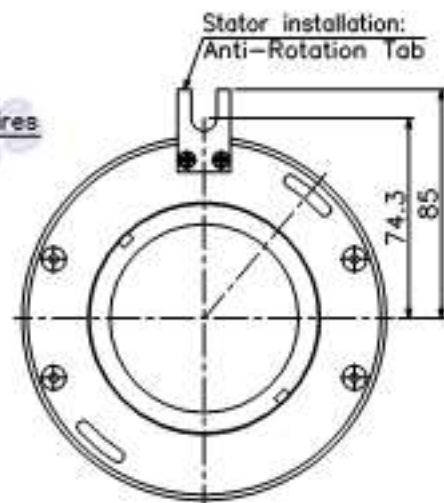
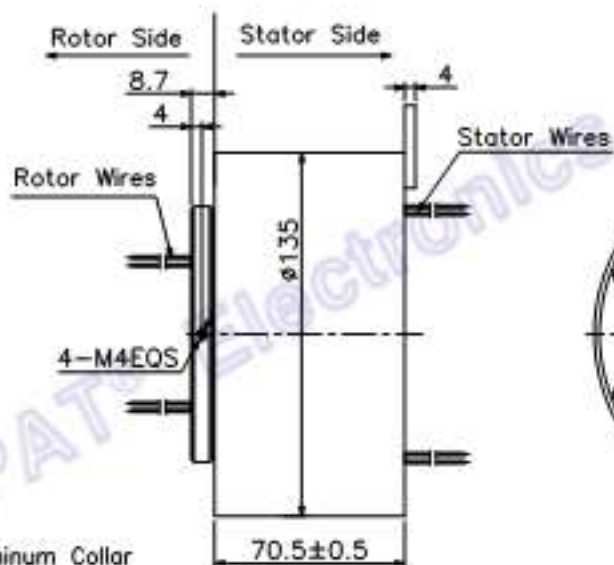
| MODEL         | LPT070-0615 |   |         |                |      |            |
|---------------|-------------|---|---------|----------------|------|------------|
| Customer code | /           |   | TITLE   | Wiring Diagram |      |            |
| UNIT          | mm          | ALL UNITS SPECIFIED IN MM                           | DESIGN  | HW             | DATE | 2018.08.03 |
| SCALE         | 1:1         | 5-18 55.1<br>18-25 62.1<br>25-30 65.2<br>30-35 68.3 | CHECKED | LWL            | DATE | 2018.08.03 |
| PROJ.         |             | 60.7  | REV.    | AG             | PAGE | 1/2        |

| NO. | CONTENT OF AMENDMENT | DATE | BY |
|-----|----------------------|------|----|
|     |                      |      |    |
|     |                      |      |    |
|     |                      |      |    |

This document is the property of JINPAT Electronics Co., Ltd (ShenZhen) (Hereafter "JINPAT"). It is lent and is to be returned upon request. The contents of this document are confidential and constitute trade secrets proprietary to JINPAT. Its contents document nor its contents shall be disclosed to any unauthorized person copied or published without JINPAT prior written consent.  
COPY RIGHT © 2018 JINPAT ELECTRONICS Co., Ltd (ShenZhen).



Rotor installation: Aluminum Collar Ring With 4 sets Screws For Shaft Mount



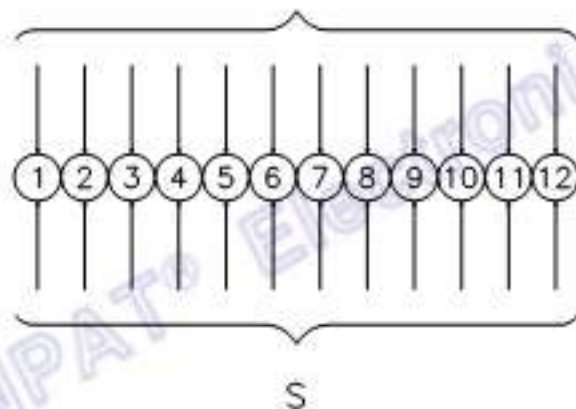
JINPAT  
www.slipring.cn

|               |             |                     |         |                 |      |            |  |
|---------------|-------------|---------------------|---------|-----------------|------|------------|--|
| MODEL         | LPT070-1205 |                     |         |                 |      |            |  |
| Customer code | /           |                     | TITLE   | Outline Drawing |      |            |  |
| UNIT          | mm          | PER UNITS SPECIFIED | DESIGN  | HW              | DATE | 2018.08.03 |  |
| SCALE         | 1:1         | UNLESS SPECIFIED    | CHECKED | LWL             | DATE | 2018.08.03 |  |
| PROJ.         |             | UNLESS SPECIFIED    | REV.    | AG              | PAGE | 1/2        |  |

| NO. | CONTENT OF AMENDMENT | DATE | BY |
|-----|----------------------|------|----|
|     |                      |      |    |
|     |                      |      |    |


This document is the property of JINPAT Electronics Co., Ltd (Shenzhen) (Hereafter "JINPAT"). It is lent and is to be returned upon request. The contents of this document are confidential and constitute trade secrets proprietary to JINPAT. Its contents document nor its contents shall be disclosed to any unauthorized person copied or published without JINPAT prior written consent.  
COPY RIGHT © 2018 JINPAT ELECTRONICS Co., Ltd (Shenzhen).

R  
12Circuits + 5A(240VAC)  
|  
AWG22# Teflon® UL



| Electronic & Electric |              |        | Mechanical       |                         |
|-----------------------|--------------|--------|------------------|-------------------------|
| Circuits              | Total        | 12 CIR | Working Speed    | 0-300rpm                |
|                       | Detail       | 12x4   | Inner Diameter   | 470mm                   |
| Rating Voltage        | 240V AC/DC   |        | Contact Material | Precious Metal          |
| Dielectric Strength   | 1000VAC@50Hz |        | Housing Material | Aluminum Alloy          |
| Insulation Resistance | ≥300MΩ@50VDC |        | Lead Wire Length | Outer:300mm Inner:300mm |
| Environment           |              |        | Remarks          |                         |
| Working Temperature   | -20°C~+80°C  |        | Other            | /                       |
| Working Humidity      | 40%RH        |        |                  |                         |

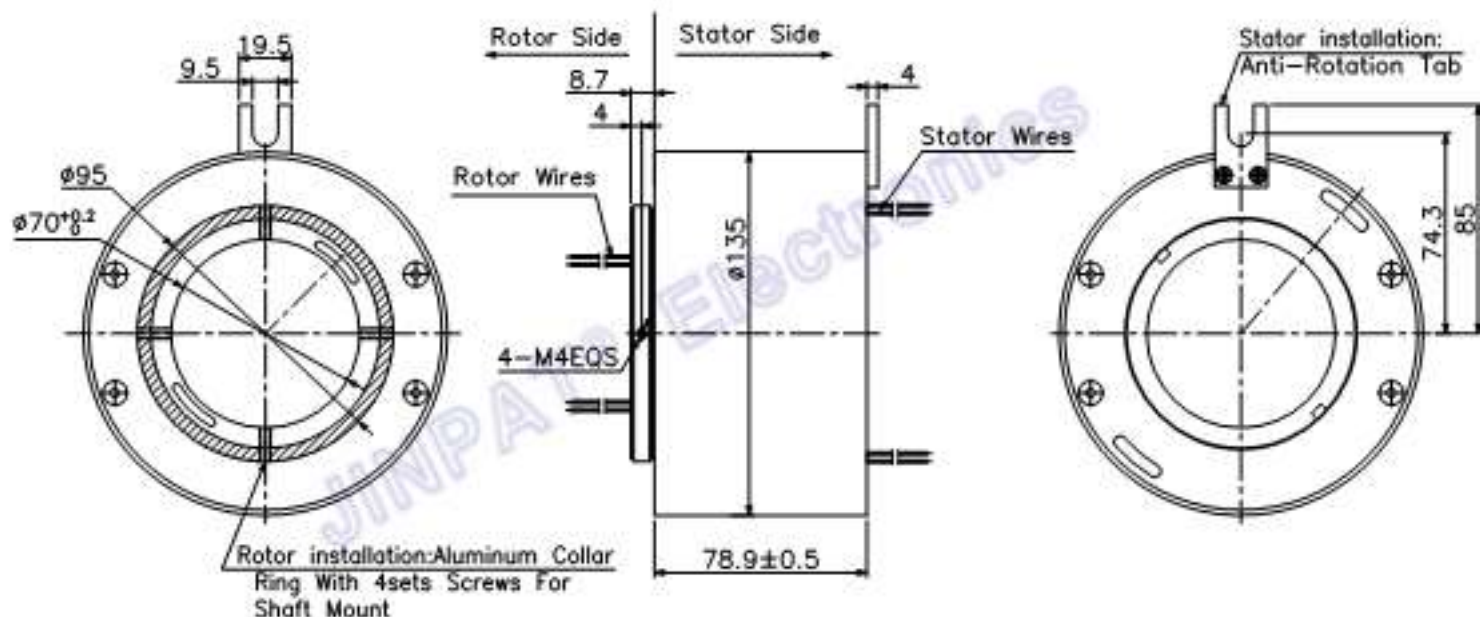
  
JINPAT  
www.slpring.cn

| MODEL         | LPT070-1205   |   |         |                |      |            |
|---------------|---|---|---------|----------------|------|------------|
| Customer code | /   |   | TITLE   | Wiring Diagram |      |            |
| UNIT          | mm  | ALL UNITS SPECIFIED                                     | DESIGN  | HW             | DATE | 2018.08.03 |
| SCALE         | 1:1   | 5--19 55.1<br>10--20 62.1<br>15--25 65.2<br>20--30 68.3 | CHECKED | LWL            | DATE | 2018.08.03 |
| PROJ.         |  | 60.7  | REV.    | AG             | PAGE | 1/2        |



| NO. | CONTENT OF AMENDMENT | DATE | BY |
|-----|----------------------|------|----|
|     |                      |      |    |
|     |                      |      |    |
|     |                      |      |    |

This document is the property of JINPAT Electronics Co., Ltd (Shenzhen) (Hereafter "JINPAT"). It is lent and is to be returned upon request. The contents of this document are confidential and constitute trade secrets proprietary to JINPAT. Its contents document nor its contents shall be disclosed to any unauthorized person copied or published without JINPAT prior written consent.  
COPY RIGHT © 2018 JINPAT ELECTRONICS Co., Ltd (Shenzhen).



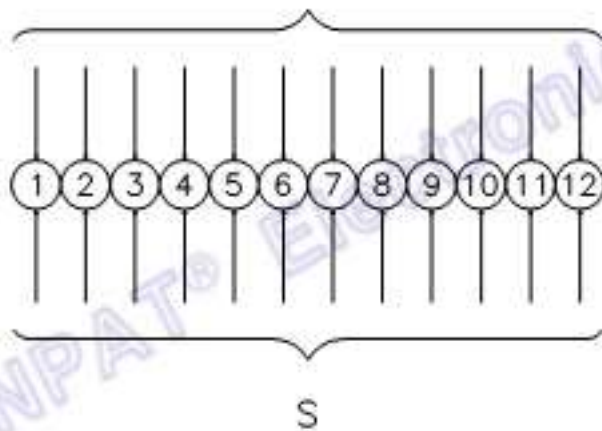
JINPAT  
www.slipring.cn

| MODEL         | LPT070-1210 |   |         |                 |      |            |  |
|---------------|-------------|---|---------|-----------------|------|------------|--|
| Customer code | /           |   | TITLE   | Outline Drawing |      |            |  |
| UNIT          | mm          | NO. SHEETS SPECIFIED  | DESIGN  | HW              | DATE | 2018.06.03 |  |
| SCALE         | 1:1         | 1-18 01.1<br>19-20 02.1<br>21-22 02.2<br>23-24 02.3<br>25-26 02.4<br>27-28 02.5<br>29-30 02.6<br>31-32 02.7 | CHECKED | LWL             | DATE | 2018.06.03 |  |
| PROJ.         |             | NO.7  | REV.    | AG              | PAGE | 1/2        |  |

| NO. | CONTENT OF AMENDMENT | DATE | BY |
|-----|----------------------|------|----|
|     |                      |      |    |
|     |                      |      |    |


This document is the property of JINPAT Electronics Co., Ltd (ShenZhen) (Hereafter "JINPAT"). It is lent and is to be returned upon request. The contents of this document are confidential and constitute trade secrets proprietary to JINPAT. Its contents document nor its contents shall be disclosed to any unauthorized person copied or published without JINPAT prior written consent.  
COPY RIGHT © 2018 JINPAT ELECTRONICS Co., Ltd (ShenZhen).

R  
12Circuits \* 10A(240VAC)  
|  
AWG17# Teflon® UL



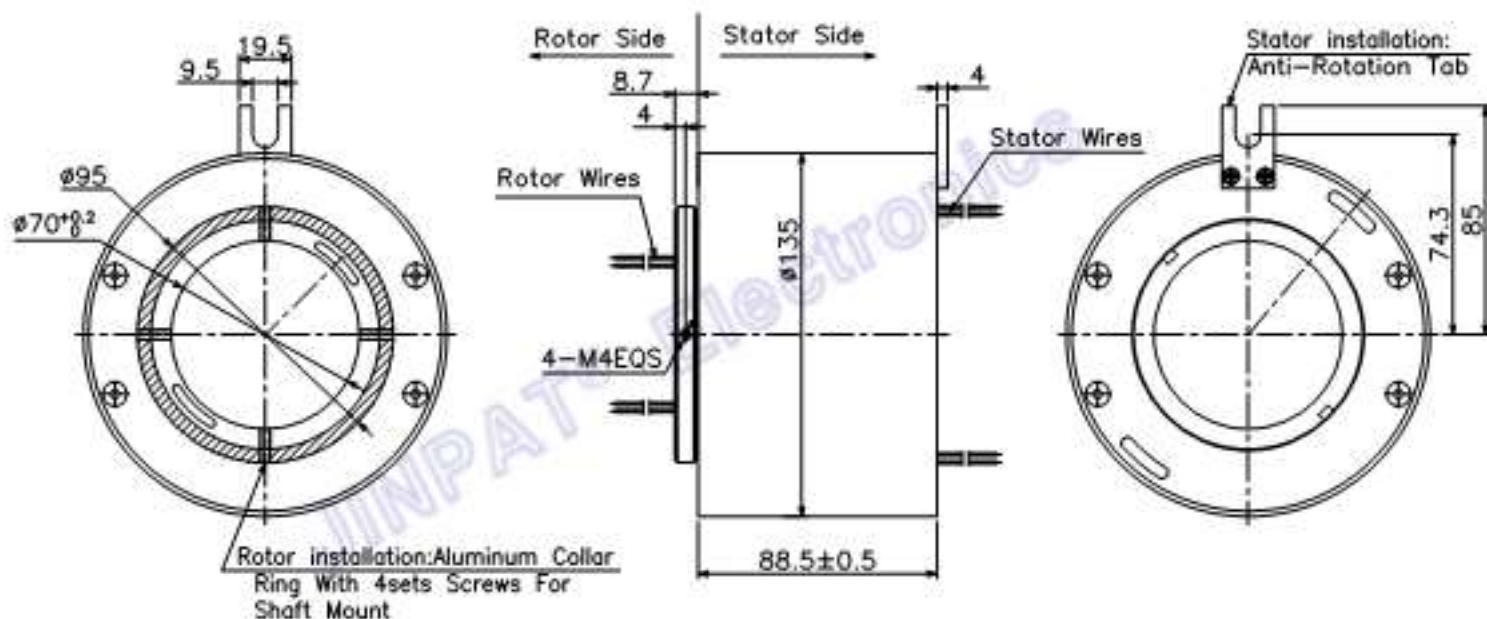
| Electronic & Electric |              | Mechanical       |                         |          |
|-----------------------|--------------|------------------|-------------------------|----------|
| Circuits              | Total        | 12 CIR           | Working Speed           | 0-300rpm |
|                       | Detail       | 12x10A           | Inner Diameter          | φ70mm    |
| Rating Voltage        | 240V AC/DC   | Contact Material | Preious Metal           |          |
| Dielectric Strength   | 1000VAC@50Hz | Housing Material | Aluminum Alloy          |          |
| Insulation Resistance | >300MΩ@50VDC | Lead Wire Length | Outer:300mm Inner:300mm |          |
| Environment           |              | Remarks          |                         |          |
| Working Temperature   | -20°C~+80°C  | Other            | /                       |          |
| Working Humidity      | 40%RH        |                  |                         |          |

  
JINPAT  
www.slipring.cn

| MODEL         | LPT070-1210   |   |         |                |      |            |
|---------------|---|---|---------|----------------|------|------------|
| Customer code | /   |   | TITLE   | Wiring Diagram |      |            |
| UNIT          | mm  | ALL UNITS SPECIFIED                               | DESIGN  | HW             | DATE | 2018.08.03 |
| SCALE         | 1:1   | UNLESS SPECIFIED                                  | CHECKED | LWL            | DATE | 2018.08.03 |
| PROJ.         |  | 1-18 08.1<br>1-9 08.12<br>1-8 08.12<br>1-12 08.12 | REV.    | AG             | PAGE | 1/2        |

| NO. | CONTENT OF AMENDMENT | DATE | BY |
|-----|----------------------|------|----|
|     |                      |      |    |
|     |                      |      |    |
|     |                      |      |    |

This document is the property of JINPAT Electronics Co., Ltd (ShenZhen) (Hereafter "JINPAT"). It is lent and is to be returned upon request. The contents of this document are confidential and constitute trade secrets proprietary to JINPAT. Its contents document nor its contents shall be disclosed to any unauthorized person copied or published without JINPAT prior written consent.  
COPY RIGHT © 2018 JINPAT ELECTRONICS Co., Ltd (ShenZhen).

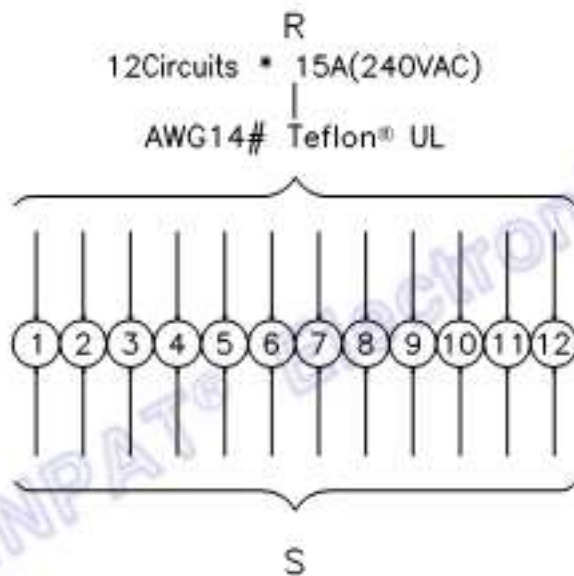


JINPAT  
www.slpring.cn

| MODEL         | LPT070-1215 |                 |         |                 |      |            |  |
|---------------|-------------|-----------------|---------|-----------------|------|------------|--|
| Customer code | /           |                 | TITLE   | Outline Drawing |      |            |  |
| UNIT          | mm          | UNITS SPECIFIED | DESIGN  | HW              | DATE | 2018.06.03 |  |
| SCALE         | 1:1         | UNITS SPECIFIED | CHECKED | LWL             | DATE | 2018.06.03 |  |
| PROJ.         |             | UNITS SPECIFIED | REV.    | AG              | PAGE | 1/2        |  |

| REV | CONTENT OF AMENDMENT | DATE | BY |
|-----|----------------------|------|----|
|     |                      |      |    |
|     |                      |      |    |

This document is the property of JINPAT Electronics Co., Ltd (ShenZhen) (Hereafter "JINPAT"). It is lent and is to be returned upon request. The contents of this document are confidential and constitute trade secrets proprietary to JINPAT. Its contents document nor its contents shall be disclosed to any unauthorized person copied or published without JINPAT prior written consent.  
COPY RIGHT © 2018 JINPAT ELECTRONICS Co., Ltd (ShenZhen).



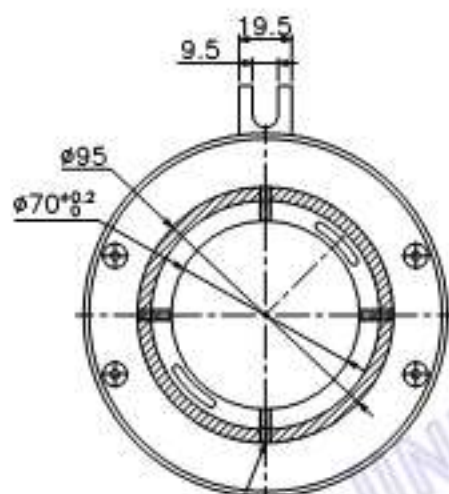
| Electronic & Electric |              |        | Mechanical       |                         |
|-----------------------|--------------|--------|------------------|-------------------------|
| Circuits              | Total        | 12 CIR | Working Speed    | 0-300rpm                |
|                       | Detail       | 12x15A | Inner Diameter   | φ70mm                   |
| Rating Voltage        | 240V AC/DC   |        | Contact Material | Preious Metal           |
| Dielectric Strength   | 1000VAC@50Hz |        | Housing Material | Aluminum Alloy          |
| Insulation Resistance | ≥300MΩ@50VDC |        | Lead Wire Length | Outer:300mm Inner:300mm |
| Environment           |              |        | Remarks          |                         |
| Working Temperature   | -20°C~+80°C  |        | Other            | /                       |
| Working Humidity      | CASRH        |        |                  |                         |

  
**JINPAT**  
 www.slipring.cn

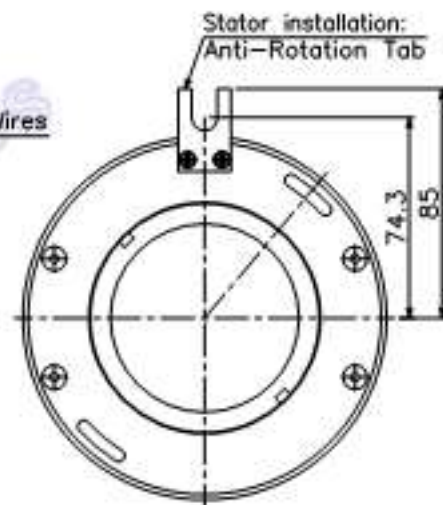
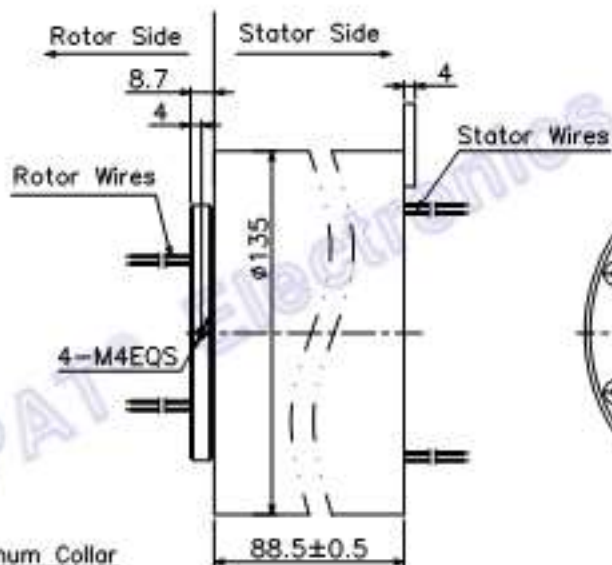
| MODEL         | LPT070-1215 |   |         |                |      |            |
|---------------|-------------|---|---------|----------------|------|------------|
| Customer code | /           |   | TITLE   | Wiring Diagram |      |            |
| UNIT          | mm          | ALL UNITS SPECIFIED IN MM                               | DESIGN  | HW             | DATE | 2018.08.03 |
| SCALE         | 1:1         | 5--10 10.1<br>15--20 20.1<br>25--30 30.1<br>35--40 40.1 | CHECKED | LWL            | DATE | 2018.08.03 |
| PROJ.         |             | REV.  | AG      | PAGE           | 1/2  |            |

| NO. | CONTENT OF AMENDMENT | DATE | BY |
|-----|----------------------|------|----|
|     |                      |      |    |
|     |                      |      |    |
|     |                      |      |    |

This document is the property of JINPAT Electronics Co., Ltd (Shenzhen) (Hereafter "JINPAT"). It is lent and is to be returned upon request. The contents of this document are confidential and constitute trade secrets proprietary to JINPAT. Its contents document nor its contents shall be disclosed to any unauthorized person copied or published without JINPAT prior written consent.  
COPY RIGHT © 2018 JINPAT ELECTRONICS Co., Ltd (Shenzhen).



Rotor installation: Aluminum Collar  
Ring With 4sets Screws For  
Shaft Mount



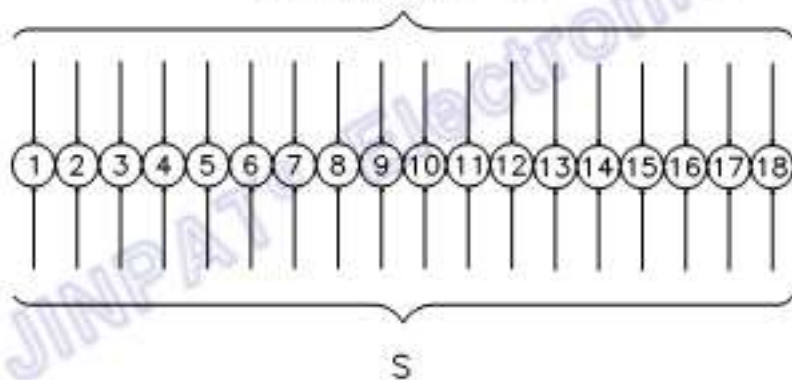
JINPAT  
www.slipring.cn

|               |             |  |         |                 |      |            |  |
|---------------|-------------|--|---------|-----------------|------|------------|--|
| MODEL         | LPT070-1805 |  |         |                 |      |            |  |
| Customer code | /           |  | TITLE   | Outline Drawing |      |            |  |
| UNIT          | mm          | SLIPRING SPECIES   | DESIGN  | HW              | DATE | 2018.06.05 |  |
| SCALE         | 1:1         | UNITS<br>1-18 00.1<br>19-20 00.2<br>21-22 00.2<br>23-24 00.2<br>25-26 00.2<br>27-28 00.2 | CHECKED | LWL             | DATE | 2018.06.05 |  |
| PROJ.         | ◆           | NO.7   | REV.    | AG              | PAGE | 1/2        |  |

| NO. | CONTENT OF AMENDMENT | DATE | BY |
|-----|----------------------|------|----|
|     |                      |      |    |
|     |                      |      |    |
|     |                      |      |    |


This document is the property of JINPAT Electronics Co., Ltd (ShenZhen) (Hereafter "JINPAT"). It is lent and is to be returned upon request. The contents of this document are confidential and constitute trade secrets proprietary to JINPAT. Its contents document nor its contents shall be disclosed to any unauthorized person copied or published without JINPAT prior written consent.  
COPY RIGHT © 2018 JINPAT ELECTRONICS Co., Ltd (ShenZhen).

R  
18Circuits \* 5A(240VAC)  
|  
AWG22# Teflon® UL



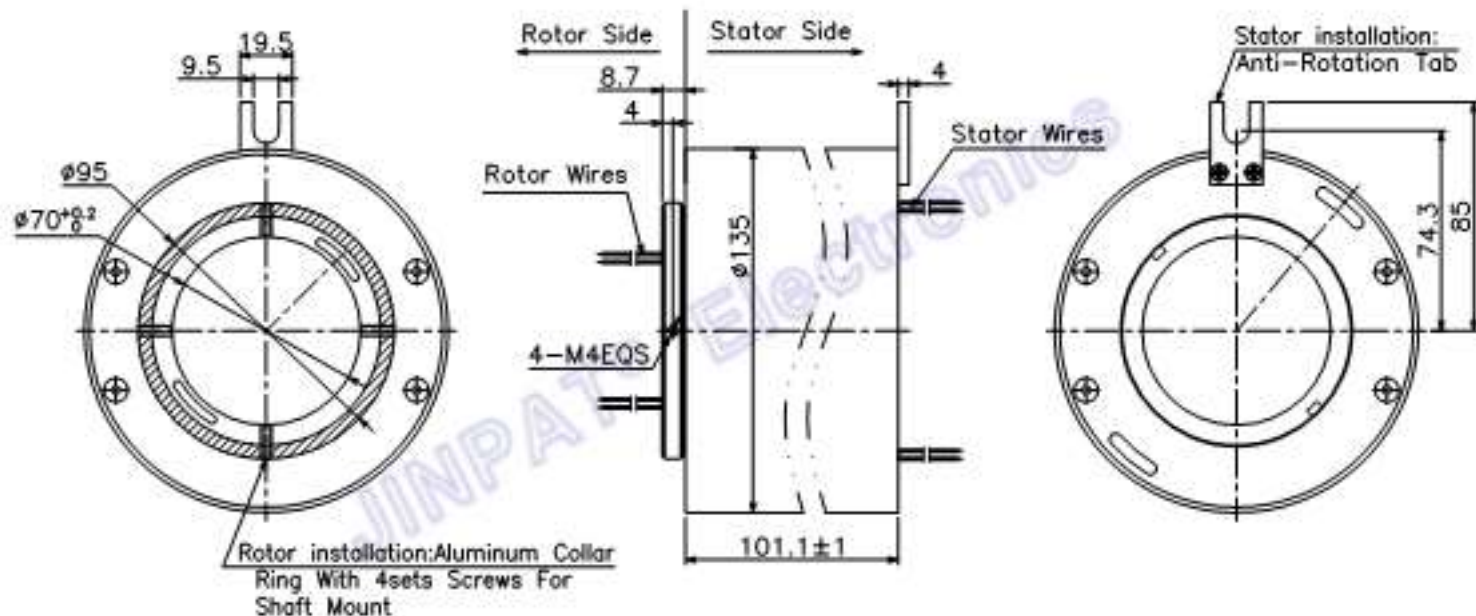
| Electronic & Electric |              | Mechanical       |                         |          |
|-----------------------|--------------|------------------|-------------------------|----------|
| Circuits              | Total        | 18 CIR           | Working Speed           | 0-300rpm |
|                       | Detail       | 18x1A            | Inner Diameter          | φ70mm    |
| Rating Voltage        | 240V AC/DC   | Contact Material | Precious Metal          |          |
| Dielectric Strength   | 1000VAC@50Hz | Housing Material | Aluminum Alloy          |          |
| Insulation Resistance | >300MΩ@50VDC | Lead Wire Length | Outer:300mm Inner:300mm |          |
| Environment           |              | Remarks          |                         |          |
| Working Temperature   | -20°C~+80°C  | Other            | /                       |          |
| Working Humidity      | 40%RH        |                  |                         |          |

  
JINPAT  
www.slipring.cn

| MODEL         | LPT070-1805   |   |         |                |      |            |  |
|---------------|---|---|---------|----------------|------|------------|--|
| Customer code | /   |   | TITLE   | Wiring Diagram |      |            |  |
| LWT           | mm  | PL UNITS SPECIFIED  | DESIGN  | HW             | DATE | 2018.08.03 |  |
| SCALE         | 1:1   | 5--18 05.1<br>1-8--20 02.10<br>1-8--20 02.2<br>1-8--20 02.2<br>1-8--20 02.2 | CHECKED | LWL            | DATE | 2018.08.03 |  |
| PROJ.         |  | REV.  | AG      | PAGE           | 1/2  |            |  |

| NO. | CONTENT OF AMENDMENT | DATE | BY |
|-----|----------------------|------|----|
|     |                      |      |    |
|     |                      |      |    |

This document is the property of JINPAT Electronics Co., Ltd (Shenzhen) (Hereafter "JINPAT"). It is lent and is to be returned upon request. The contents of this document are confidential and constitute trade secrets proprietary to JINPAT. Its contents document nor its contents shall be disclosed to any unauthorized person copied or published without JINPAT prior written consent.  
COPY RIGHT © 2018 JINPAT ELECTRONICS Co., Ltd (Shenzhen).

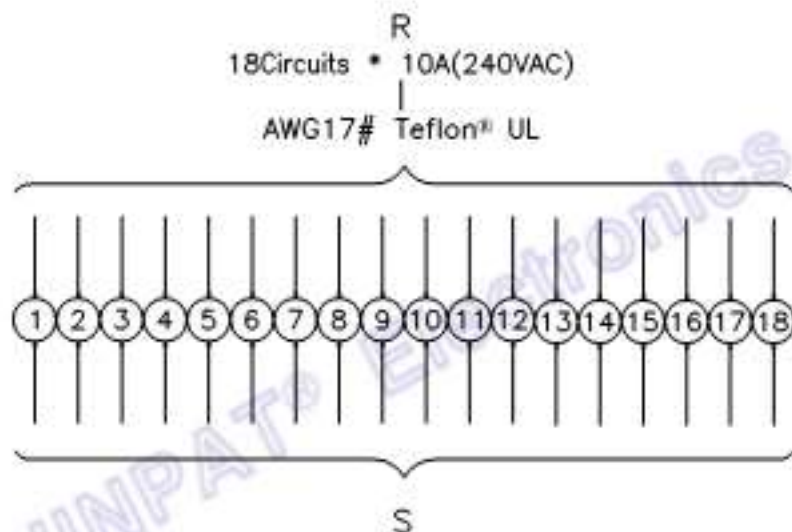


JINPAT  
www.slpring.cn

| MODEL         | LPT070-1810 |                 |         |                 |      |            |  |
|---------------|-------------|-----------------|---------|-----------------|------|------------|--|
| Customer code | /           |                 | TITLE   | Outline Drawing |      |            |  |
| UNIT          | mm          | UNITS SPECIFIED | DESIGN  | HW              | DATE | 2018.06.03 |  |
| SCALE         | 1:1         | UNITS SPECIFIED | CHECKED | LWL             | DATE | 2018.06.03 |  |
| PROJ.         | ◆           | UNITS SPECIFIED | REV.    | AG              | PAGE | 1/2        |  |


| NO. | CONTENT OF AMENDMENT | DATE | BY |
|-----|----------------------|------|----|
|     |                      |      |    |
|     |                      |      |    |
|     |                      |      |    |

This document is the property of JINPAT Electronics Co., Ltd (ShenZhen) (Hereafter "JINPAT"). It is lent and is to be returned upon request. The contents of this document are confidential and constitute trade secrets proprietary to JINPAT. Its contents document nor its contents shall be disclosed to any unauthorized person copied or published without JINPAT prior written consent.  
COPY RIGHT © 2018 JINPAT ELECTRONICS Co., Ltd (ShenZhen).



| Electronic & Electric |              | Mechanical       |                         |          |
|-----------------------|--------------|------------------|-------------------------|----------|
| Circuits              | Total        | 18 Ckt           | Working Speed           | 0~300rpm |
|                       | Detail       | 18x10A           | Inner Diameter          | φ70mm    |
| Rating Voltage        | 240V AC/DC   | Contact Material | Precious Metal          |          |
| Dielectric Strength   | 1000VAC@50Hz | Housing Material | Aluminum Alloy          |          |
| Insulation Resistance | >300MΩ@50VDC | Lead Wire Length | Outer:300mm Inner:300mm |          |
| Environment           |              | Remarks          |                         |          |
| Working Temperature   | -20°C~+80°C  | Other            | /                       |          |
| Working Humidity      | 40%RH        |                  |                         |          |

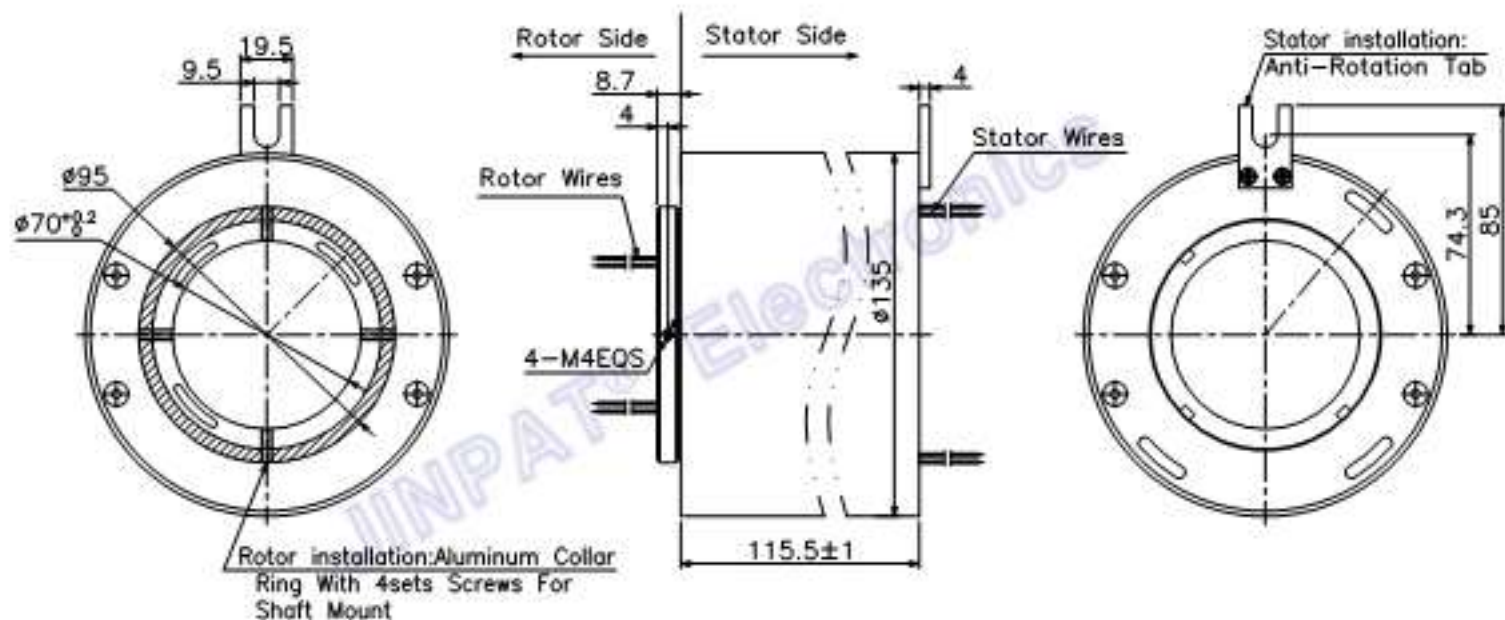
  
**JINPAT**  
 www.slipring.cn

| MODEL         | LPT070-1810   |  |         |                |      |            |
|---------------|---|--|---------|----------------|------|------------|
| Customer code | /   |  | TITLE   | Wiring Diagram |      |            |
| LWT           | mm  | PL UNITS SPECIFIED   | DESIGN  | HW             | DATE | 2018.08.03 |
| SCALE         | 1:1   | 0-10 00.1<br>10-20 00.2<br>20-30 00.3<br>30-40 00.4<br>40-50 00.5<br>50-60 00.6<br>60-70 00.7<br>70-80 00.8<br>80-90 00.9<br>90-100 01.0 | CHECKED | LWL            | DATE | 2018.08.03 |
| PROJ.         |  | REV.   | AG      | PAGE           | 1/2  |            |



| NO. | CONTENT OF AMENDMENT | DATE | BY |
|-----|----------------------|------|----|
|     |                      |      |    |
|     |                      |      |    |
|     |                      |      |    |

This document is the property of JINPAT Electronics Co., Ltd (ShenZhen) (Hereafter "JINPAT"). It is lent and is to be returned upon request. The contents of this document are confidential and constitute trade secrets proprietary to JINPAT. Its contents document nor its contents shall be disclosed to any unauthorized person copied or published without JINPAT prior written consent.  
COPY RIGHT © 2018 JINPAT ELECTRONICS Co., Ltd (ShenZhen).



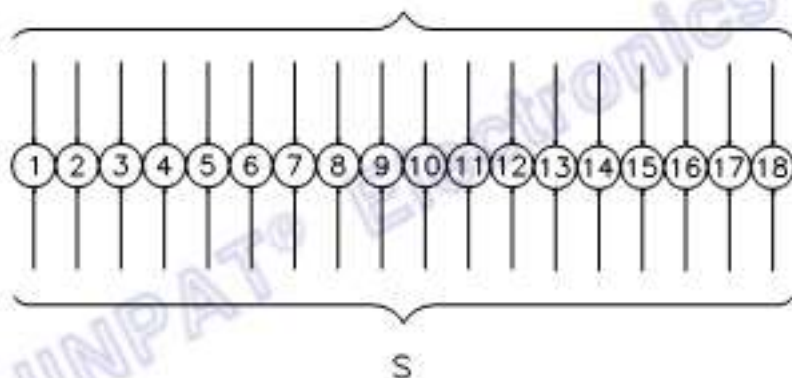
JINPAT  
www.slipring.cn

| MODEL         | LPT070-1815 |                  |         |                 |      |            |  |
|---------------|-------------|------------------|---------|-----------------|------|------------|--|
| Customer code | /           |                  | TITLE   | Outline Drawing |      |            |  |
| UNIT          | mm          | UNLESS SPECIFIED | DESIGN  | HWM             | DATE | 2018.08.03 |  |
| SCALE         | 1:1         | UNLESS SPECIFIED | CHECKED | LML             | DATE | 2018.08.03 |  |
| PROJ.         |             | UNLESS SPECIFIED | REV.    | AG              | PAGE | 1/2        |  |

| REV | CONTENT OF AMENDMENT | DATE | BY |
|-----|----------------------|------|----|
|     |                      |      |    |
|     |                      |      |    |

This document is the property of JINPAT Electronics Co., Ltd (Shenzhen) (Hereafter "JINPAT"). It is lent and is to be returned upon request. The contents of this document are confidential and constitute trade secrets proprietary to JINPAT. Its contents document nor its contents shall be disclosed to any unauthorized person copied or published without JINPAT prior written consent.  
COPY RIGHT © 2018 JINPAT ELECTRONICS Co., Ltd (Shenzhen).

R  
18Circuits \* 15A(240VAC)  
|  
AWG14# Teflon® UL



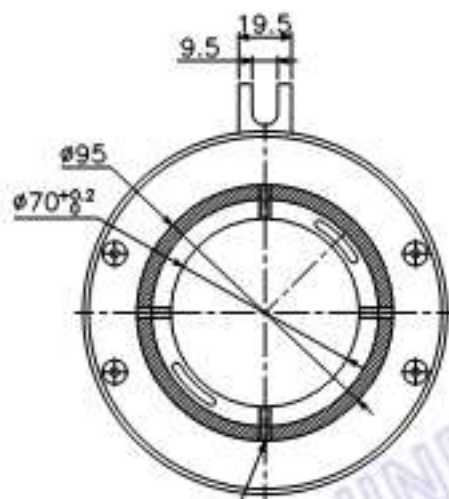
| Electronic & Electric |              | Mechanical       |                         |          |
|-----------------------|--------------|------------------|-------------------------|----------|
| Circuits              | Total        | 18 Ckt           | Working Speed           | 0-300rpm |
|                       | Detail       | 18x15A           | Inner Diameter          | φ70mm    |
| Rating Voltage        | 240V AC/DC   | Contact Material | Preious Metal           |          |
| Dielectric Strength   | 1000VAC@50Hz | Housing Material | Aluminum Alloy          |          |
| Insulation Resistance | >300MΩ@50VDC | Lead Wire Length | Outer:300mm Inner:300mm |          |
| Environment           |              | Remarks          |                         |          |
| Working Temperature   | -20°C~+80°C  | Other            | /                       |          |
| Working Humidity      | 40%RH        |                  |                         |          |

  
JINPAT  
www.slipring.cn

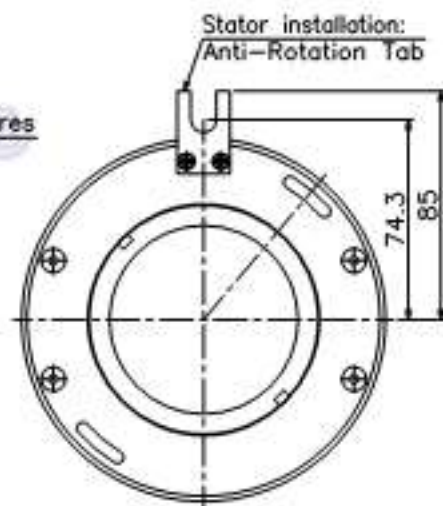
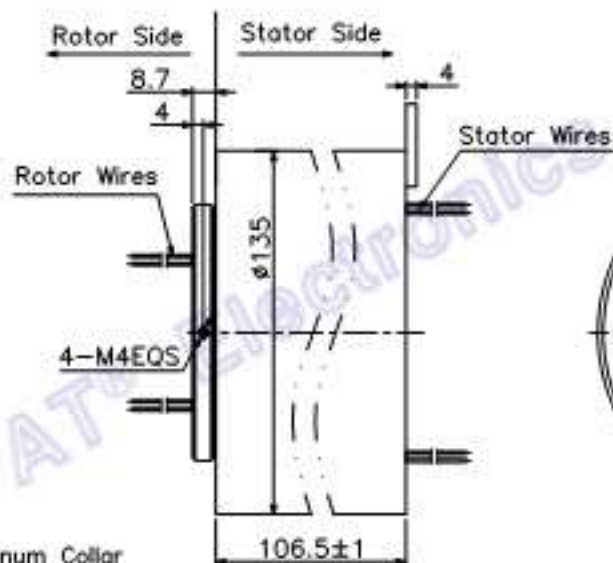
| MODEL         | LPT070-1815 |   |         |                |      |            |  |
|---------------|-------------|---|---------|----------------|------|------------|--|
| Customer code | /           |   | TITLE   | Wiring Diagram |      |            |  |
| UNIT          | mm          | PL UNITS SPECIFIED  | DESIGN  | HWM            | DATE | 2018.08.03 |  |
| SCALE         | 1:1         | UNLESS SPECIFIED<br>1-18 1:1<br>19-20 1:2<br>21-22 1:2<br>23-24 1:2 | CHECKED | LWL            | DATE | 2018.08.03 |  |
| PROJ.         |             | REV.  | AG      | PAGE           | 1/2  |            |  |

| NO. | CONTENT OF AMENDMENT | DATE | BY |
|-----|----------------------|------|----|
|     |                      |      |    |
|     |                      |      |    |

This document is the property of JINPAT Electronics Co., Ltd (ShenZhen) (Hereafter "JINPAT"). It is lent and is to be returned upon request. The contents of this document are confidential and constitute trade secrets proprietary to JINPAT. Its contents document nor its contents shall be disclosed to any unauthorized person copied or published without JINPAT prior written consent.  
COPY RIGHT © 2018 JINPAT ELECTRONICS Co., Ltd (ShenZhen).



Rotor installation: Aluminum Collar Ring With 4sets Screws For Shaft Mount



Stator installation:  
Anti-Rotation Tab



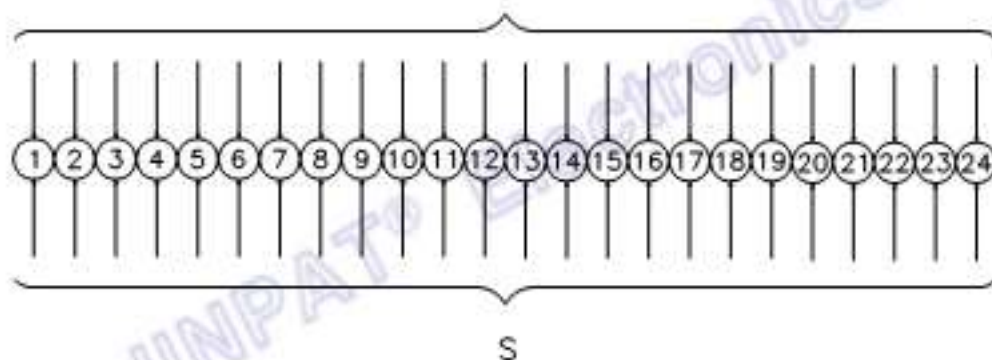
JINPAT  
www.slipring.cn

| MODEL         | LPT070-2405 |         |                 |      |            |  |  |
|---------------|-------------|---------|-----------------|------|------------|--|--|
| Customer code | /           | TITLE   | Outline Drawing |      |            |  |  |
| UNIT          | mm          | DESIGN  | HW              | DATE | 2018.08.03 |  |  |
| SCALE         | 1:1         | CHECKED | LWL             | DATE | 2018.08.03 |  |  |
| PROJ.         | ◆           | REV.    | AG              | PAGE | 1/2        |  |  |

| REV | CONTENT OF AMENDMENT | DATE | BY |
|-----|----------------------|------|----|
|     |                      |      |    |
|     |                      |      |    |
|     |                      |      |    |


This document is the property of JINPAT Electronics Co., Ltd (ShenZhen) (Hereafter "JINPAT"). It is lent and is to be returned upon request. The contents of this document are confidential and constitute trade secrets proprietary to JINPAT. Its contents document nor its contents shall be disclosed to any unauthorized person copied or published without JINPAT prior written consent.  
COPY RIGHT © 2018 JINPAT ELECTRONICS Co., Ltd (ShenZhen).

R  
24Circuits \* 5A(240VAC)  
|  
AWG22# Teflon® UL



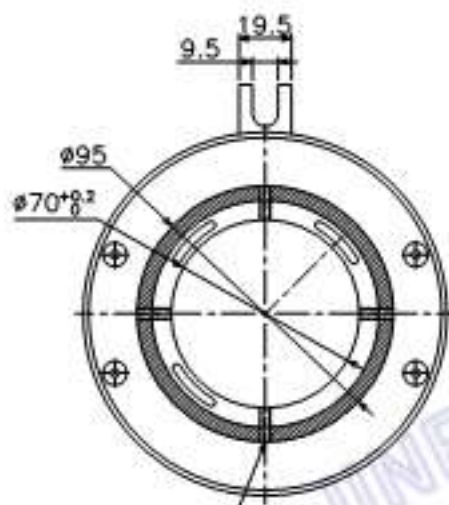
| Electronic & Electric |              | Mechanical       |                         |          |
|-----------------------|--------------|------------------|-------------------------|----------|
| Circuits              | Total        | 24 DC            | Working Speed           | 0-300rpm |
|                       | Detail       | 24x5A            | Inner Diameter          | ±70mm    |
| Rating Voltage        | 240V AC/DC   | Contact Material | Platinum Metal          |          |
| Dielectric Strength   | 1000VAC@50Hz | Housing Material | Aluminum Alloy          |          |
| Insulation Resistance | >300MΩ@50VDC | Lead Wire Length | Outer:300mm Inner:300mm |          |
| Environment           |              | Remarks          |                         |          |
| Working Temperature   | -20°C~+80°C  | Other            | /                       |          |
| Working Humidity      | 40%RH        |                  |                         |          |

  
JINPAT  
www.slipring.cn

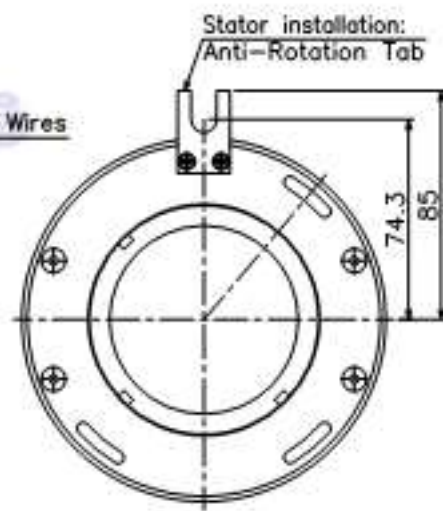
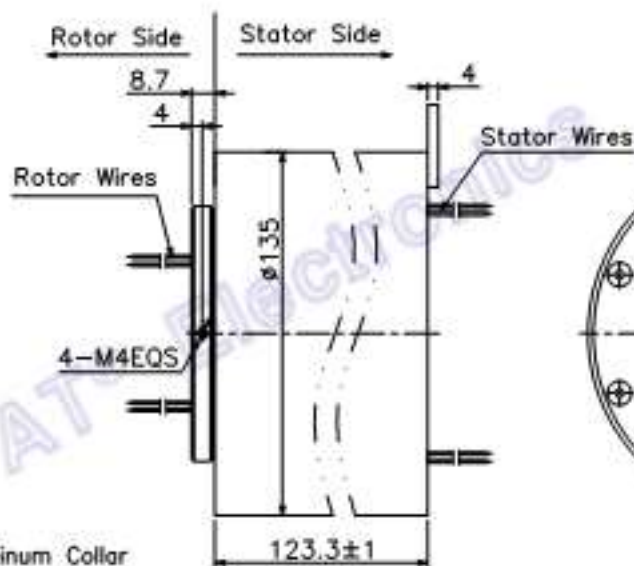
| MODEL         | LPT070-2405   |   |         |                |      |            |  |
|---------------|---|---|---------|----------------|------|------------|--|
| Customer code | /   |   | TITLE   | Wiring Diagram |      |            |  |
| LWT           | mm  | PL UNLESS SPECIFIED                                 | DESIGN  | HW             | DATE | 2018.08.03 |  |
| SCALE         | 1:1   | 5-19 55.1<br>7-18 55.12<br>10-20 55.2<br>12-22 55.2 | CHECKED | LWL            | DATE | 2018.08.03 |  |
| PROJ          |  | 55.2<br>55.2  | REV.    | AG             | PAGE | 1/2        |  |

| NO. | CONTENT OF AMENDMENT | DATE | BY |
|-----|----------------------|------|----|
|     |                      |      |    |
|     |                      |      |    |
|     |                      |      |    |

This document is the property of JINPAT Electronics Co., Ltd (ShenZhen) (Hereafter "JINPAT"). It is lent and is to be returned upon request. The contents of this document are confidential and constitute trade secrets proprietary to JINPAT. Its contents document nor its contents shall be disclosed to any unauthorized person copied or published without JINPAT prior written consent.  
COPY RIGHT © 2018 JINPAT ELECTRONICS Co., Ltd (ShenZhen).



Rotor installation: Aluminum Collar Ring With 4sets Screws For Shaft Mount



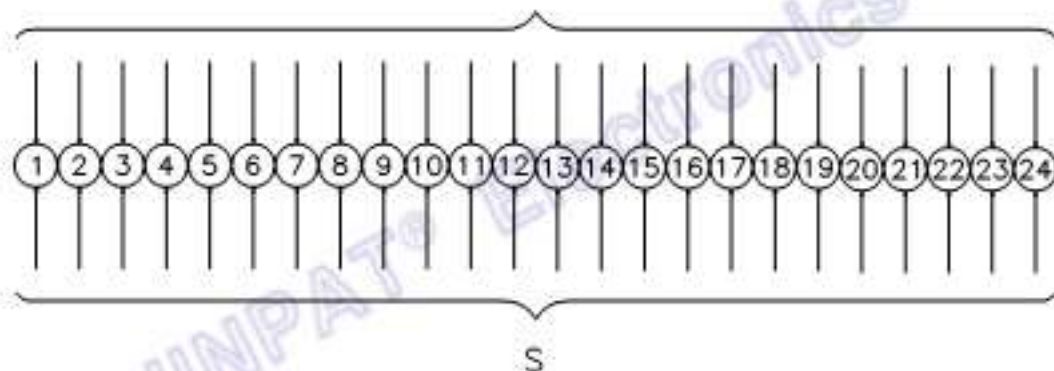
JINPAT  
www.slipring.cn

|               |             |                  |         |                 |      |            |  |
|---------------|-------------|------------------|---------|-----------------|------|------------|--|
| MODEL         | LPT070-2410 |                  |         |                 |      |            |  |
| Customer code | /           |                  | TITLE   | Outline Drawing |      |            |  |
| UNIT          | mm          | UNLESS SPECIFIED | DESIGN  | HWM             | DATE | 2018.06.03 |  |
| SCALE         | 1:1         | UNLESS SPECIFIED | CHECKED | LML             | DATE | 2018.06.03 |  |
| PROJ.         | ↙           | UNLESS SPECIFIED | REV.    | AG              | PAGE | 1/2        |  |

| NO. | CONTENT OF AMENDMENT | DATE | BY |
|-----|----------------------|------|----|
|     |                      |      |    |
|     |                      |      |    |


This document is the property of JINPAT Electronics Co., Ltd (ShenZhen) (Hereafter "JINPAT"). It is lent and is to be returned upon request. The contents of this document are confidential and constitute trade secrets proprietary to JINPAT. Its contents document nor its contents shall be disclosed to any unauthorized person copied or published without JINPAT prior written consent.  
COPY RIGHT © 2018 JINPAT ELECTRONICS Co., Ltd (ShenZhen).

R  
24Circuits \* 10A(240VAC)  
|  
AWG17# Teflon® UL



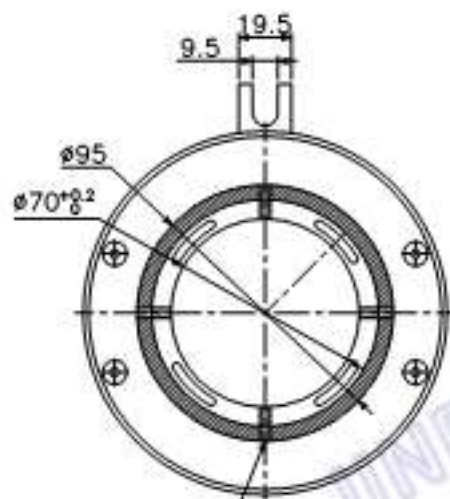
| Electronic & Electric |              | Mechanical       |                         |          |
|-----------------------|--------------|------------------|-------------------------|----------|
| Circuits              | Total        | 24 DC            | Working Speed           | 0-300rpm |
|                       | Detail       | 24x10A           | Inner Diameter          | ±70mm    |
| Rating Voltage        | 240V AC/DC   | Contact Material | Prevalent Metal         |          |
| Dielectric Strength   | 1000VAC@50Hz | Housing Material | Aluminum Alloy          |          |
| Insulation Resistance | >500MΩ@50VDC | Lead Wire Length | Outer:300mm Inner:300mm |          |
| Environment           |              | Remarks          |                         |          |
| Working Temperature   | -20°C~+80°C  | Other            | /                       |          |
| Working Humidity      | 40%RH        |                  |                         |          |

  
JINPAT  
www.slipring.cn

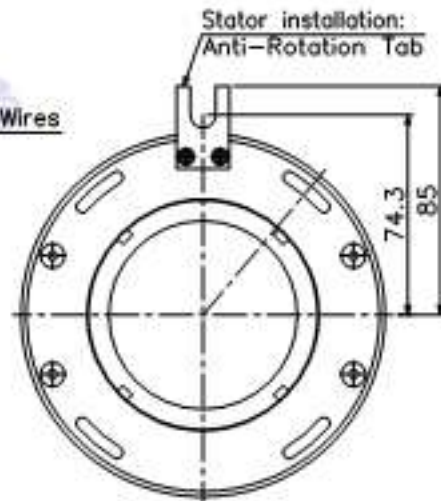
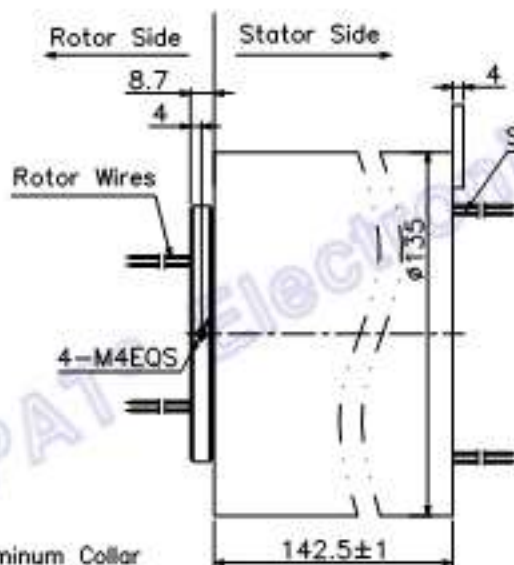
| MODEL         | LPT070-2410   |                                       |         |                |      |            |
|---------------|---|---------------------------------------|---------|----------------|------|------------|
| Customer code | /   |                                       | TITLE   | Wiring Diagram |      |            |
| UNIT          | mm  | PL UNITS SPECIFIED                    | DESIGN  | HWH            | DATE | 2018.08.03 |
| SCALE         | 1:1   | 1-19 25.1<br>20-22 22.2<br>23-24 22.2 | CHECKED | LWL            | DATE | 2018.08.03 |
| PROJ.         |  | 25.2<br>25.2                          | REV.    | AG             | PAGE | 1/2        |

| NO. | CONTENT OF AMENDMENT | DATE | BY |
|-----|----------------------|------|----|
|     |                      |      |    |
|     |                      |      |    |
|     |                      |      |    |

This document is the property of JINPAT Electronics Co., Ltd (Shenzhen) (Hereafter "JINPAT"). It is lent and is to be returned upon request. The contents of this document are confidential and constitute trade secrets proprietary to JINPAT. Its contents document nor its contents shall be disclosed to any unauthorized person copied or published without JINPAT prior written consent.  
COPY RIGHT © 2018 JINPAT ELECTRONICS Co., Ltd (Shenzhen).



Rotor installation: Aluminum Collar Ring With 4sets Screws For Shaft Mount



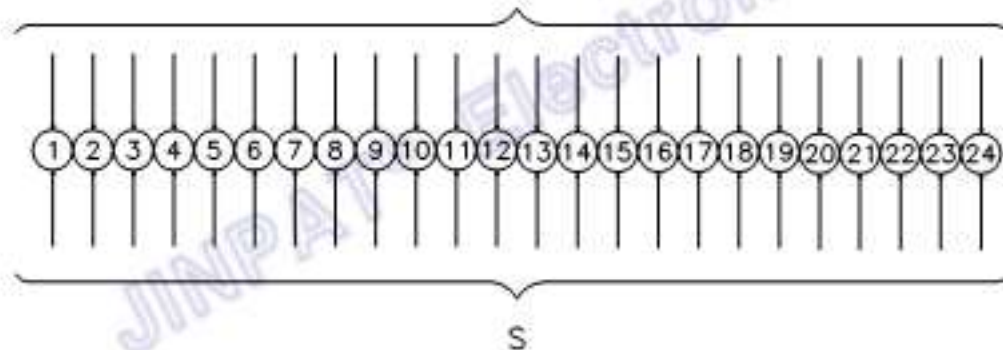
JINPAT  
www.slipring.cn

|               |             |                     |         |                 |      |            |  |
|---------------|-------------|---------------------|---------|-----------------|------|------------|--|
| MODEL         | LPT070-2415 |                     |         |                 |      |            |  |
| Customer code | /           |                     | TITLE   | Outline Drawing |      |            |  |
| UNIT          | mm          | PER UNITS SPECIFIED | DESIGN  | HW              | DATE | 2018.08.03 |  |
| SCALE         | 1:1         | UNLESS SPECIFIED    | CHECKED | LWL             | DATE | 2018.08.03 |  |
| PROJ.         |             | UNLESS SPECIFIED    | REV.    | AG              | PAGE | 1/2        |  |

| NO. | CONTENT OF AMENDMENT | DATE | BY |
|-----|----------------------|------|----|
|     |                      |      |    |
|     |                      |      |    |
|     |                      |      |    |

This document is the property of JINPAT Electronics Co., Ltd (Shenzhen) (Hereafter "JINPAT"). It is lent and is to be returned upon request. The contents of this document are confidential and constitute trade secrets proprietary to JINPAT. Its contents document nor its contents shall be disclosed to any unauthorized person copied or published without JINPAT prior written consent.  
COPY RIGHT © 2018 JINPAT ELECTRONICS Co., Ltd (Shenzhen).

R  
24Circuits \* 15A(240VAC)  
|  
AWG14# Teflon<sup>®</sup> UL



| Electronic & Electric |              | Mechanical       |                         |          |
|-----------------------|--------------|------------------|-------------------------|----------|
| Circuits              | Total        | 24 DC            | Working Speed           | 0-300rpm |
|                       | Detail       | 24x15A           | Inner Diameter          | φ70mm    |
| Rating Voltage        | 240V AC/DC   | Contact Material | Prevalent Metal         |          |
| Dielectric Strength   | 1000VAC@50Hz | Housing Material | Aluminum Alloy          |          |
| Insulation Resistance | >500MΩ@50VDC | Lead Wire Length | Outer:300mm Inner:300mm |          |
| Environment           |              | Remarks          |                         |          |
| Working Temperature   | -20°C~+80°C  | Other            | /                       |          |
| Working Humidity      | 40%RH        |                  |                         |          |

  
JINPAT  
www.slipring.cn

| MODEL         | LPT070-2415 |  |         |                |      |            |
|---------------|-------------|--|---------|----------------|------|------------|
| Customer code | /           |  | TITLE   | Wiring Diagram |      |            |
| LWT           | mm          | PL UNLESS SPECIFIED  | DESIGN  | HW             | DATE | 2018.08.03 |
| SCALE         | 1:1         | 5-18 55.1<br>7-18 55.1<br>10-20 60.2<br>12-22 60.2<br>15-22 60.2 | CHECKED | LWL            | DATE | 2018.08.03 |
| PROJ.         |             | 60.2   | REV.    | AG             | PAGE | 1/2        |