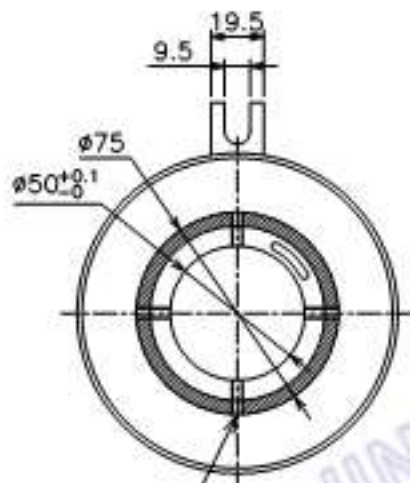
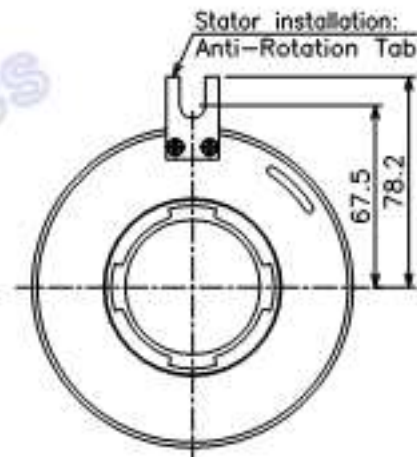
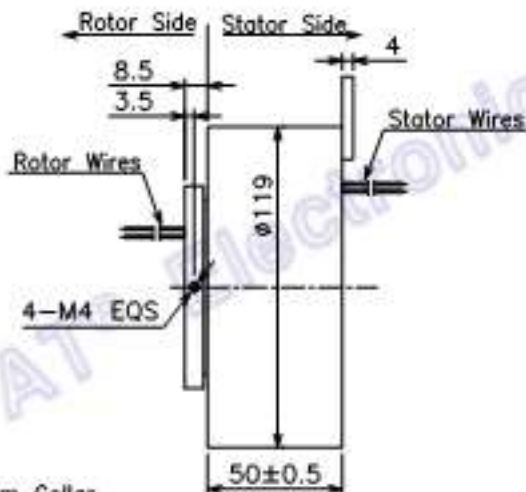


NO.	CONTENT OF AMENDMENT	DATE	BY

This document is the property of JINPAT Electronics Co., Ltd (ShenZhen) (Hereafter "JINPAT"). It is lent and is to be returned upon request. The contents of this document are confidential and constitute trade secrets proprietary to JINPAT. Its contents document nor its contents shall be disclosed to any unauthorized person copied or published without JINPAT prior written consent.
COPY RIGHT © 2018 JINPAT ELECTRONICS Co., Ltd (ShenZhen).



Rotor installation: Aluminum Collar Ring With 4 sets Screws For Shaft Mount



JINPAT
www.slipring.cn

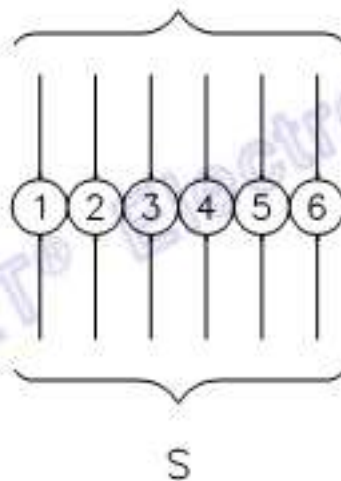
MODEL	LPT050-0605						
Customer code	/		TITLE	Outline Drawing			
UNIT	mm	UNLESS SPECIFIED	DESIGN	HWH	DATE	2018.06.05	
SCALE	1:1	UNLESS SPECIFIED	CHECKED	LWL	DATE	2018.06.05	
PROJ.		UNLESS SPECIFIED	REV.	AG	PAGE	1/2	

NO.	CONTENT OF AMENDMENT	DATE	BY

This document is the property of JINPAT Electronics Co., Ltd (ShenZhen) (Hereafter "JINPAT"). It is lent and is to be returned upon request. The contents of this document are confidential and constitute trade secrets proprietary to JINPAT. Its contents document nor its contents shall be disclosed to any unauthorized person copied or published without JINPAT prior written consent.
COPY RIGHT © 2018 JINPAT ELECTRONICS Co., Ltd (ShenZhen).


R
6Circuits * 5A(240VAC)

AWG22# Teflon® UL



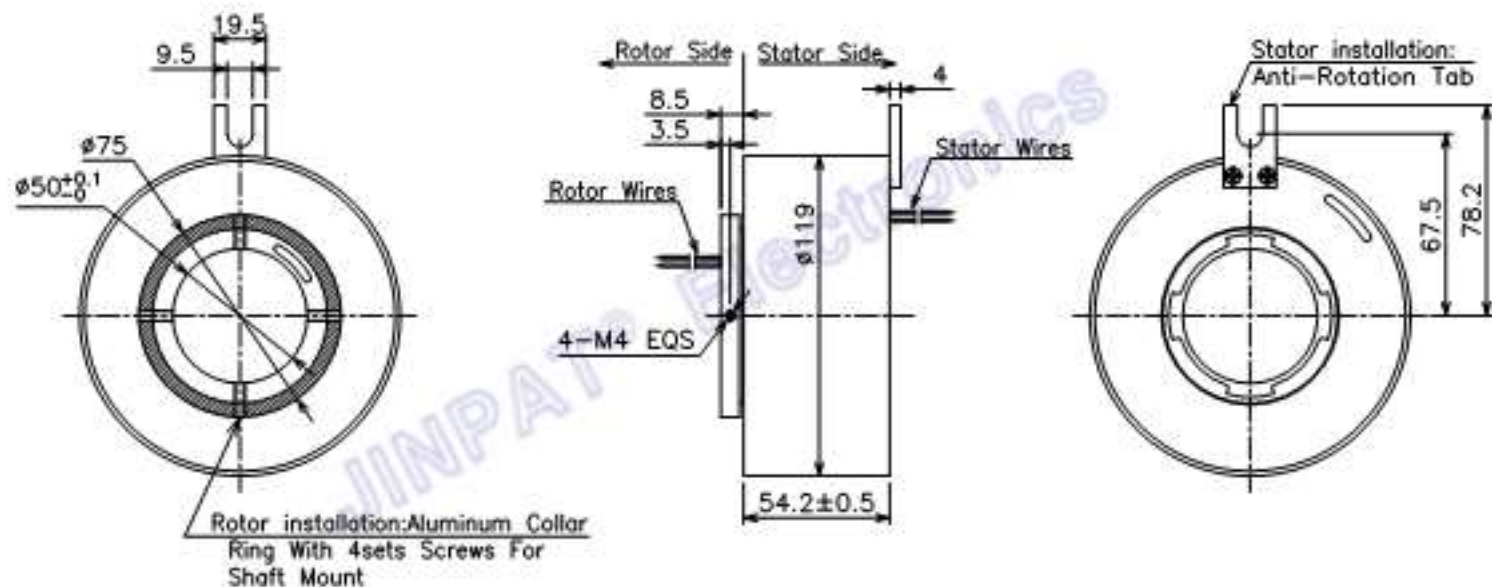
Electronic & Electric		Mechanical		
Circuits	Total	6 CRT	Working Speed	0-300rpm
	Detail	6x6	Inner Diameter	40mm
Rating Voltage	240V AC/DC	Contact Material	Precious Metal	
Dielectric Strength	1000VAC@50Hz	Housing Material	Aluminum Alloy	
Insulation Resistance	>300MΩ@50VDC	Lead Wire Length	Outer:300mm Inner:300mm	
Environment		Remarks		
Working Temperature	-20°C~+80°C	Other	/	
Working Humidity	40%RH			


JINPAT
www.slipring.cn

MODEL	LPT050-0605					
Customer code	/		TITLE	Wiring Diagram		
LWT	mm	PL WIRE SPECIFIED	DESIGN	HW	DATE	2018.08.03
SCALE	1:1	<small> 5-19 AWG 18-20 AWG 24-26 AWG 30-32 AWG </small>	CHECKED	LWL	DATE	2018.08.03
PROJ.		AWG	REV.	AG	PAGE	1/2

NO.	CONTENT OF AMENDMENT	DATE	BY

This document is the property of JINPAT Electronics Co., Ltd (Shenzhen) (Hereafter "JINPAT"). It is lent and is to be returned upon request. The contents of this document are confidential and constitute trade secrets proprietary to JINPAT. Its contents document nor its contents shall be disclosed to any unauthorized person copied or published without JINPAT prior written consent.
COPY RIGHT © 2018 JINPAT ELECTRONICS Co., Ltd (Shenzhen).



JINPAT
www.slipring.cn

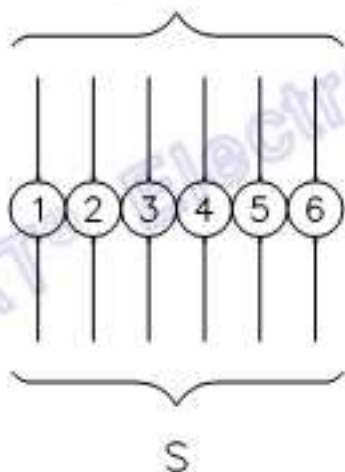
MODEL	LPT050-0610						
Customer code	/		TITLE	Outline Drawing			
UNIT	mm	UNLESS SPECIFIED	DESIGN	HJM	DATE	2018.06.03	
SCALE	1:1	UNLESS SPECIFIED	CHECKED	LML	DATE	2018.06.03	
PROJ.		UNLESS SPECIFIED	REV.	AG	PAGE	1/2	

NO.	CONTENT OF AMENDMENT	DATE	BY

This document is the property of JINPAT Electronics Co., Ltd (ShenZhen) (Hereafter "JINPAT"). It is lent and is to be returned upon request. The contents of this document are confidential and constitute trade secrets proprietary to JINPAT. Its contents document nor its contents shall be disclosed to any unauthorized person copied or published without JINPAT prior written consent.
COPY RIGHT © 2018 JINPAT ELECTRONICS Co., Ltd (ShenZhen).


R
6Circuits * 10A(240VAC)

AWG17# Teflon® UL



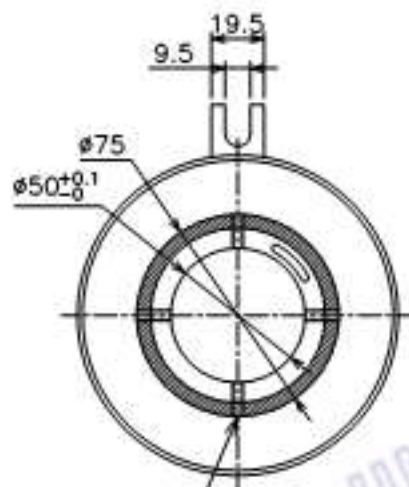
Electronic & Electric		Mechanical		
Circuits	Total	6 CRT	Working Speed	0-300rpm
	Detail	6x10A	Inner Diameter	40mm
Rating Voltage	240V AC/DC	Contact Material	Precious Metal	
Dielectric Strength	1000VAC@50Hz	Housing Material	Aluminum Alloy	
Insulation Resistance	>300MΩ@50VDC	Lead Wire Length	Outer:300mm Inner:300mm	
Environment		Remarks		
Working Temperature	-20°C~+80°C	Other	/	
Working Humidity	40%RH			


JINPAT
www.slipring.cn

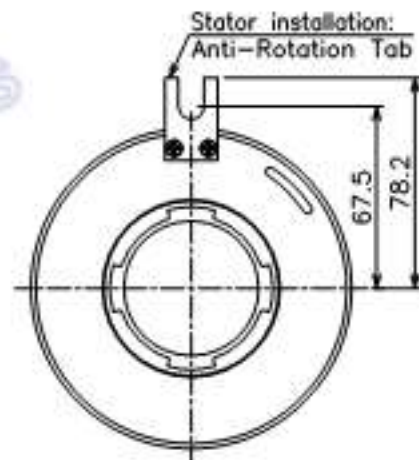
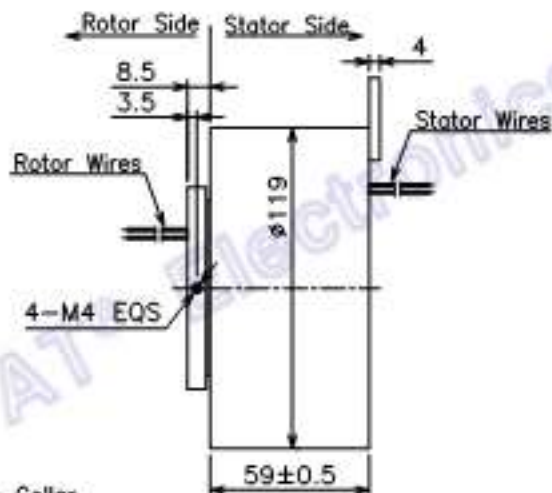
MODEL	LPT050-0610					
Customer code	/		TITLE	Wiring Diagram		
UNIT	mm	ALL UNITS SPECIFIED IN MM	DESIGN	HW	DATE	2018.08.03
SCALE	1:1	1-18 00.1 1-19 00.2 1-20 00.3 1-21 00.4 1-22 00.5 1-23 00.6 1-24 00.7	CHECKED	LWL	DATE	2018.08.03
PROJ.		REV.	AG	PAGE	1/2	

NO.	CONTENT OF AMENDMENT	DATE	BY

This document is the property of JINPAT Electronics Co., Ltd (Shenzhen) (Hereafter "JINPAT"). It is lent and is to be returned upon request. The contents of this document are confidential and constitute trade secrets proprietary to JINPAT. Its contents document nor its contents shall be disclosed to any unauthorized person copied or published without JINPAT prior written consent.
COPY RIGHT © 2018 JINPAT ELECTRONICS Co., Ltd (Shenzhen).



Rotor installation: Aluminum Collar Ring With 4sets Screws For Shaft Mount



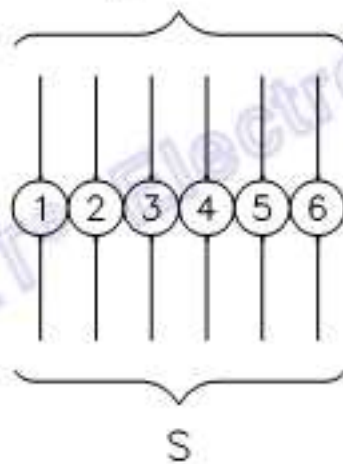
JINPAT
www.slipring.cn

MODEL	LPT050-0615						
Customer code	/		TITLE	Outline Drawing			
UNIT	mm	NO. SHEET SPECIFIED	DESIGN	HW	DATE	2018.06.03	
SCALE	1:1	1-18 19-20 21-22 23-24 25-26 27-28 29-30 31-32 33-34 35-36 37-38 39-40 41-42 43-44 45-46 47-48 49-50 51-52 53-54 55-56 57-58 59-60 61-62 63-64 65-66 67-68 69-70 71-72 73-74 75-76 77-78 79-80 81-82 83-84 85-86 87-88 89-90 91-92 93-94 95-96 97-98 99-100	CHECKED	LWL	DATE	2018.06.03	
PROJ.	◆	NO. 7	REV.	AG	PAGE	1/2	

NO.	CONTENT OF AMENDMENT	DATE	BY


This document is the property of JINPAT Electronics Co., Ltd (ShenZhen) (Hereafter "JINPAT"). It is lent and is to be returned upon request. The contents of this document are confidential and constitute trade secrets proprietary to JINPAT. Its contents document nor its contents shall be disclosed to any unauthorized person copied or published without JINPAT prior written consent.
COPY RIGHT © 2018 JINPAT ELECTRONICS Co., Ltd (ShenZhen).

R
6Circuits * 15A(240VAC)
|
AWG14# Teflon® UL



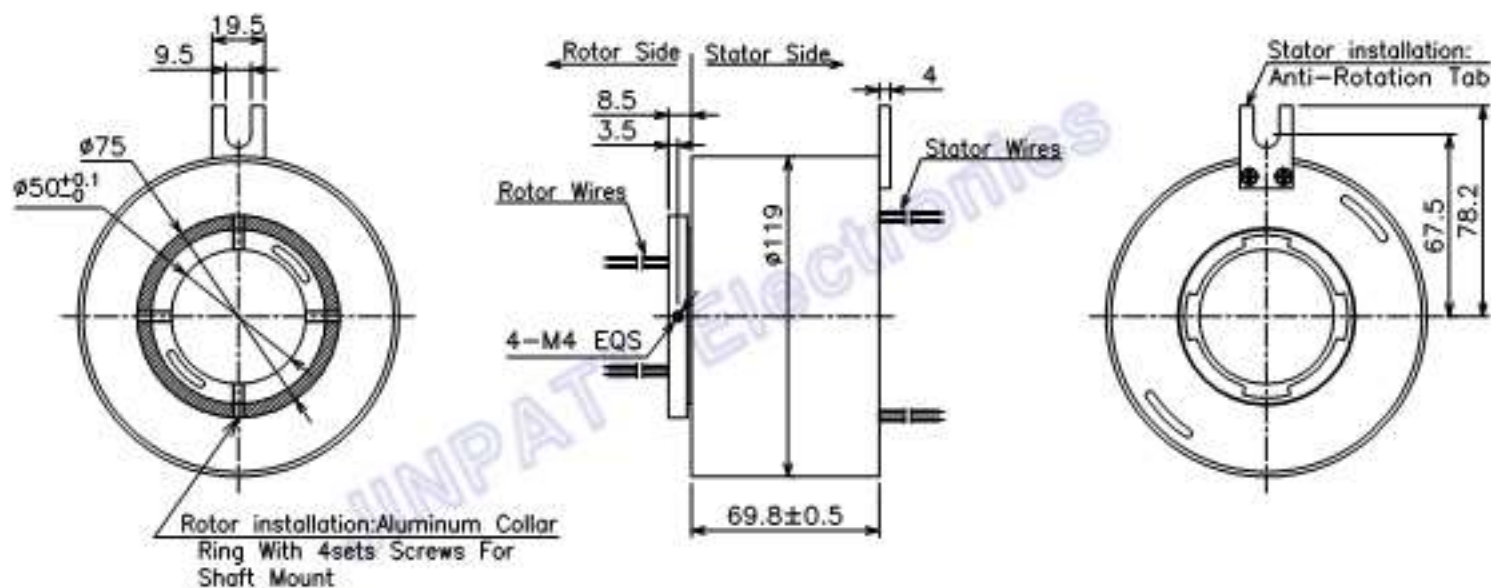
Electronic & Electric		Mechanical		
Circuits	Total	6 CRT	Working Speed	0-300rpm
	Detail	6/15A	Inner Diameter	40mm
Rating Voltage	240V AC/DC	Contact Material	Preious Metal	
Dielectric Strength	1000VAC@50Hz	Housing Material	Aluminum Alloy	
Insulation Resistance	>300MΩ@50VDC	Lead Wire Length	Outer:300mm Inner:300mm	
Environment		Remarks		
Working Temperature	-20°C~+80°C	Other	/	
Working Humidity	40%RH			


JINPAT
www.slipring.cn

MODEL	LPT050-0615					
Customer code	/		TITLE	Wiring Diagram		
LWT	mm	PL UNITS SPECIFIED	DESIGN	HW	DATE	2018.08.03
SCALE	1:1	UNITS 1-10 00.1 11-20 00.15 21-30 00.2 31-40 00.25 41-50 00.3	CHECKED	LWL	DATE	2018.08.03
PROJ.		REV.	AG	PAGE	1/2	

NO.	CONTENT OF AMENDMENT	DATE	BY

This document is the property of JINPAT Electronics Co., Ltd (Shenzhen) (Hereafter "JINPAT"). It is lent and is to be returned upon request. The contents of this document are confidential and constitute trade secrets proprietary to JINPAT. Its contents document nor its contents shall be disclosed to any unauthorized person copied or published without JINPAT prior written consent.
COPY RIGHT © 2018 JINPAT ELECTRONICS Co., Ltd (Shenzhen).



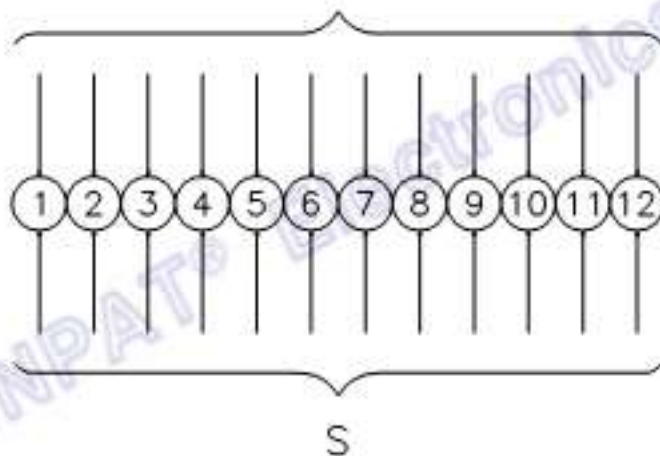
JINPAT
www.slipring.cn

MODEL	LPT050-1205						
Customer code	/		TITLE	Outline Drawing			
UNIT	mm	NO. SHEETS SPECIFIED	DESIGN	HW	DATE	2018.08.03	
SCALE	1:1	1-19 10.1 20-30 10.2 31-40 10.3 41-50 10.4 51-60 10.5 61-70 10.6 71-80 10.7	CHECKED	LWL	DATE	2018.08.03	
PROJ.			REV.	AG	PAGE	1/2	

NO.	CONTENT OF AMENDMENT	DATE	BY


This document is the property of JINPAT Electronics Co., Ltd (Shenzhen) (Hereafter "JINPAT"). It is lent and is to be returned upon request. The contents of this document are confidential and constitute trade secrets proprietary to JINPAT. Its contents document nor its contents shall be disclosed to any unauthorized person copied or published without JINPAT prior written consent.
COPY RIGHT © 2018 JINPAT ELECTRONICS Co., Ltd (Shenzhen).

R
12Circuits * 5A(240VAC)
|
AWG22# Teflon® UL



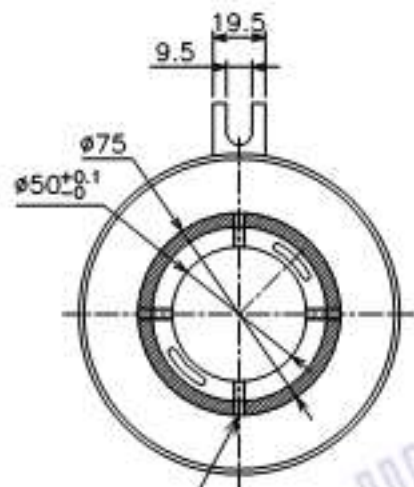
Electronic & Electric			Mechanical	
Circuits	Total	12 CIR	Working Speed	0-300rpm
	Detail	12/A	Inner Diameter	40mm
Rating Voltage	240V AC/DC		Contact Material	Precious Metal
Dielectric Strength	1000VAC@50Hz		Housing Material	Aluminum Alloy
Insulation Resistance	≥300MΩ@50VDC		Lead Wire Length	Outer:300mm Inner:300mm
Environment			Remarks	
Working Temperature	-20°C~+80°C		Other	/
Working Humidity	40%RH			


JINPAT
www.slipring.cn

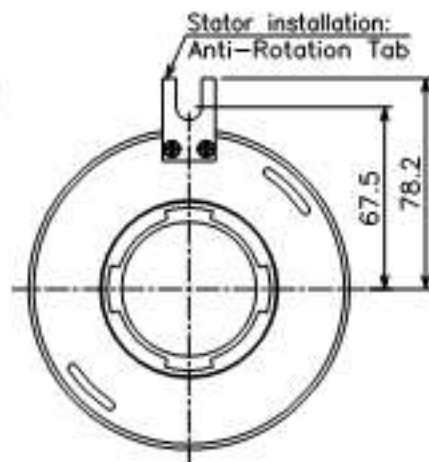
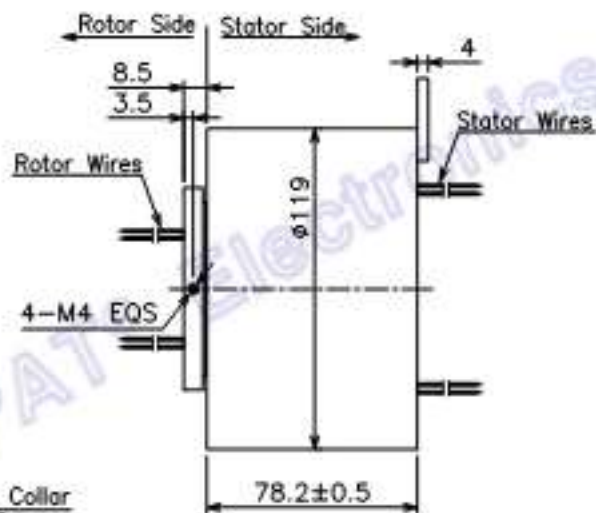
MODEL	LPT050-1205					
Customer code	/		TITLE	Wiring Diagram		
LWT	mm	PL WIRE SPECIFIED	DESIGN	HW	DATE	2018.08.03
SCALE	1:1	5-19 AWG 20-22 AWG 24-26 AWG 28-30 AWG	CHECKED	LWL	DATE	2018.08.03
PROJ.		AWG	REV.	AG	PAGE	1/2

NO.	CONTENT OF AMENDMENT	DATE	BY

This document is the property of JINPAT Electronics Co., Ltd (ShenZhen) (Hereafter "JINPAT"). It is lent and is to be returned upon request. The contents of this document are confidential and constitute trade secrets proprietary to JINPAT. Its contents document nor its contents shall be disclosed to any unauthorized person copied or published without JINPAT prior written consent.
COPY RIGHT © 2018 JINPAT ELECTRONICS Co., Ltd (ShenZhen).



Rotor installation: Aluminum Collar Ring With 4sets Screws For Shaft Mount



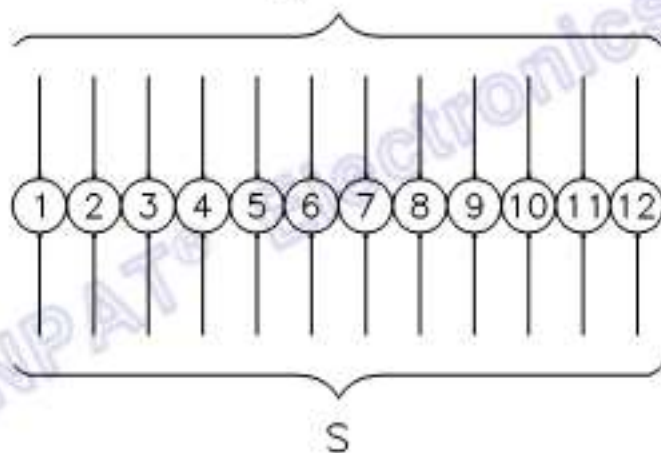
JINPAT
www.slipring.cn

MODEL	LPT050-1210						
Customer code	/		TITLE	Outline Drawing			
UNIT	mm	NO. SHEETS SPECIFIED	DESIGN	HW	DATE	2018.06.03	
SCALE	1:1	DRAWN 1-18-01 02.12 1-18-02 02.12 1-18-03 02.12 1-18-04 02.12	CHECKED	LWL	DATE	2018.06.03	
PROJ.		NO. 7	REV.	AG	PAGE	1/2	

NO.	CONTENT OF AMENDMENT	DATE	BY

This document is the property of JINPAT Electronics Co., Ltd (Shenzhen) (Hereafter "JINPAT"). It is lent and is to be returned upon request. The contents of this document are confidential and constitute trade secrets proprietary to JINPAT. Its contents document nor its contents shall be disclosed to any unauthorized person copied or published without JINPAT prior written consent.
COPY RIGHT © 2018 JINPAT ELECTRONICS Co., Ltd (Shenzhen).

R
12Circuits * 10A(240VAC)
|
AWG17# Teflon® UL



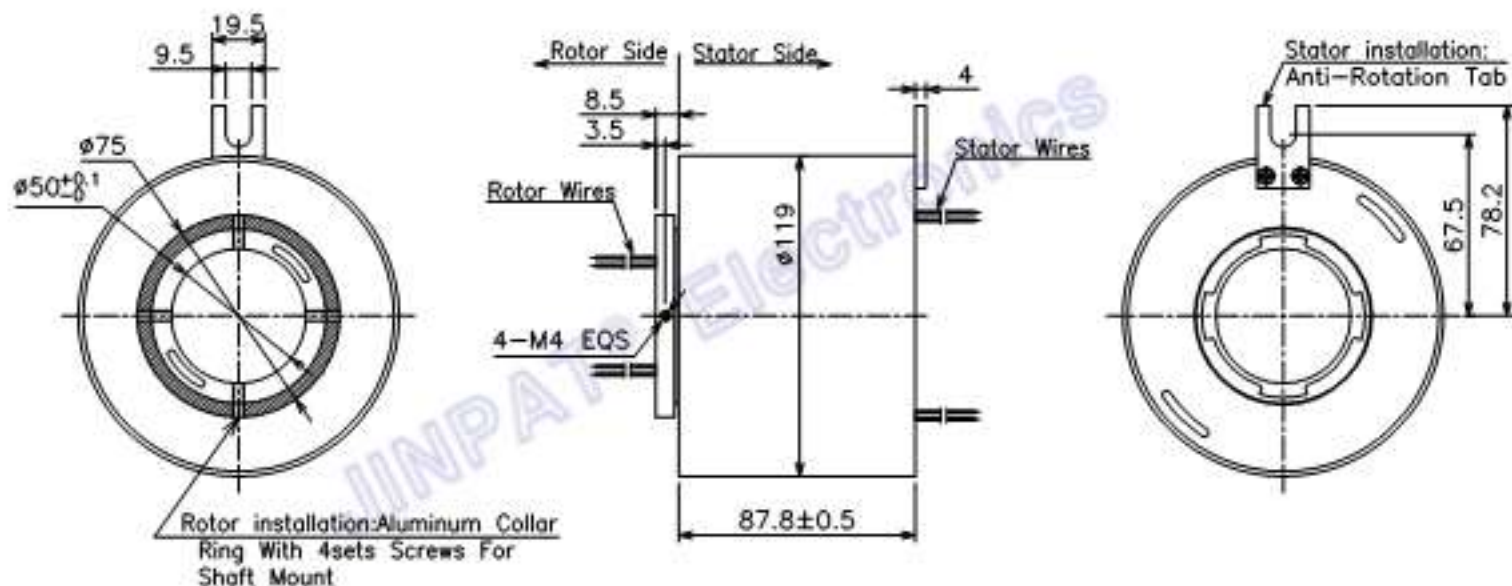
Electronic & Electric			Mechanical	
Circuits	Total	12 CIR	Working Speed	0-300rpm
	Detail	12x10A	Inner Diameter	40mm
Rating Voltage	240V AC/DC		Contact Material	Precious Metal
Dielectric Strength	1000VAC/50Hz		Housing Material	Aluminum Alloy
Insulation Resistance	≥300MΩ/500VDC		Lead Wire Length	Outer:300mm Inner:300mm
Environment			Remarks	
Working Temperature	-20°C~+80°C		Other	/
Working Humidity	40%RH			


JINPAT
www.slipring.cn

MODEL	LPT050-1210					
Customer code	/		TITLE	Wiring Diagram		
UNIT	mm	ALL UNITS SPECIFIED IN MM	DESIGN	HW	DATE	2018.08.03
SCALE	1:1	9-19 00.1 10-20 00.10 10-20 00.2 10-20 00.3	CHECKED	LWL	DATE	2018.08.03
PROJ.		00.7	REV.	AG	PAGE	1/2

NO.	CONTENT OF AMENDMENT	DATE	BY

This document is the property of JINPAT Electronics Co., Ltd (ShenZhen) (Hereafter "JINPAT"). It is lent and is to be returned upon request. The contents of this document are confidential and constitute trade secrets proprietary to JINPAT. Its contents document nor its contents shall be disclosed to any unauthorized person copied or published without JINPAT prior written consent.
COPY RIGHT © 2018 JINPAT ELECTRONICS Co., Ltd (ShenZhen).



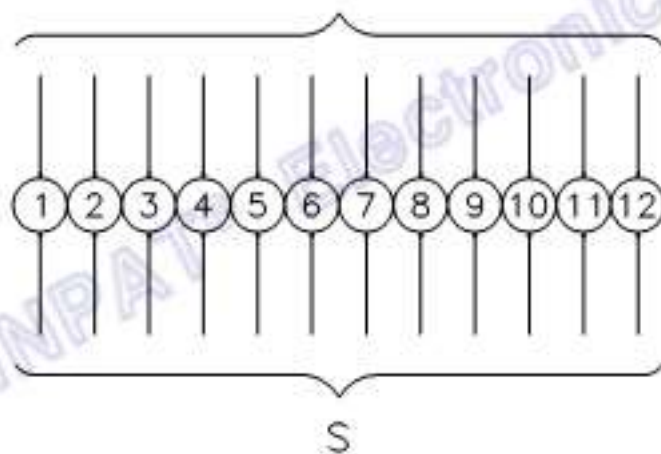
JINPAT
www.slipring.cn

MODEL	LPT050-1215						
Customer code	/	TITLE	Outline Drawing				
UNIT	mm	DESIGN	HW	DATE	2018.08.03		
SCALE	1:1	CHECKED	LWL	DATE	2018.08.03		
PROJ.		REV.	AG	PAGE	1/2		

REV	CONTENT OF AMENDMENT	DATE	BY

This document is the property of JINPAT Electronics Co., Ltd (ShenZhen) (Hereafter "JINPAT"). It is lent and is to be returned upon request. The contents of this document are confidential and constitute trade secrets proprietary to JINPAT. Its contents document nor its contents shall be disclosed to any unauthorized person copied or published without JINPAT prior written consent.
COPY RIGHT © 2018 JINPAT ELECTRONICS Co., Ltd (ShenZhen).

R
12Circuits * 15A(240VAC)
|
AWG14# Teflon® UL



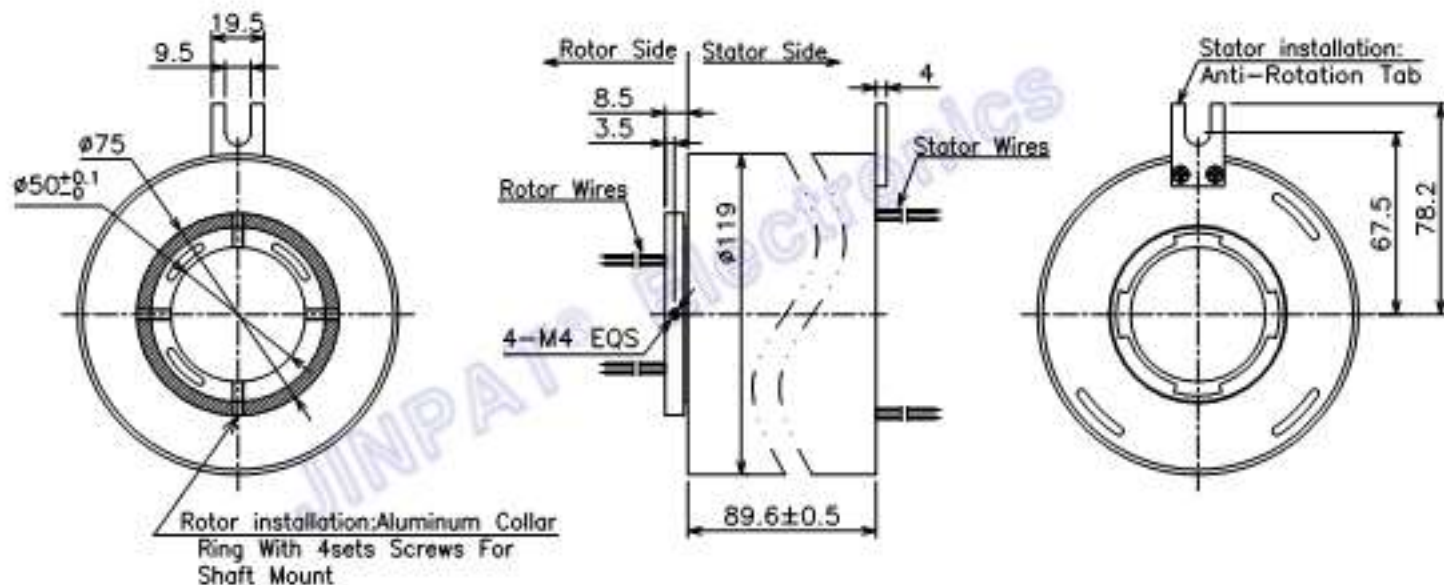
Electronic & Electric		Mechanical		
Circuits	Total	12 CIR	Working Speed	0-300rpm
	Detail	12x15A	Inner Diameter	40mm
Rating Voltage	240V AC/DC	Contact Material	Phenolic Metal	
Dielectric Strength	1000VAC@50Hz	Housing Material	Aluminum Alloy	
Insulation Resistance	>300MΩ@50VDC	Lead Wire Length	Outer:300mm Inner:300mm	
Environment		Remarks		
Working Temperature	-20°C~+80°C	Other	/	
Working Humidity	40%RH			


JINPAT
www.slipring.cn

MODEL	LPT050-1215						
Customer code	/		TITLE	Wiring Diagram			
UNIT	mm	ALL UNITS SPECIFIED	DESIGN	HW	DATE	2018.08.03	
SCALE	1:1	5--10 50.1 10--20 50.2 20--30 50.3 30--40 50.4 40--50 50.5	CHECKED	LWL	DATE	2018.08.03	
PROJ.		50.7	REV.	AG	PAGE	1/2	

NO.	CONTENT OF AMENDMENT	DATE	BY

This document is the property of JINPAT Electronics Co., Ltd (Shenzhen) (Hereafter "JINPAT"). It is lent and is to be returned upon request. The contents of this document are confidential and constitute trade secrets proprietary to JINPAT. Its contents document nor its contents shall be disclosed to any unauthorized person copied or published without JINPAT prior written consent.
COPY RIGHT © 2018 JINPAT ELECTRONICS Co., Ltd (Shenzhen).

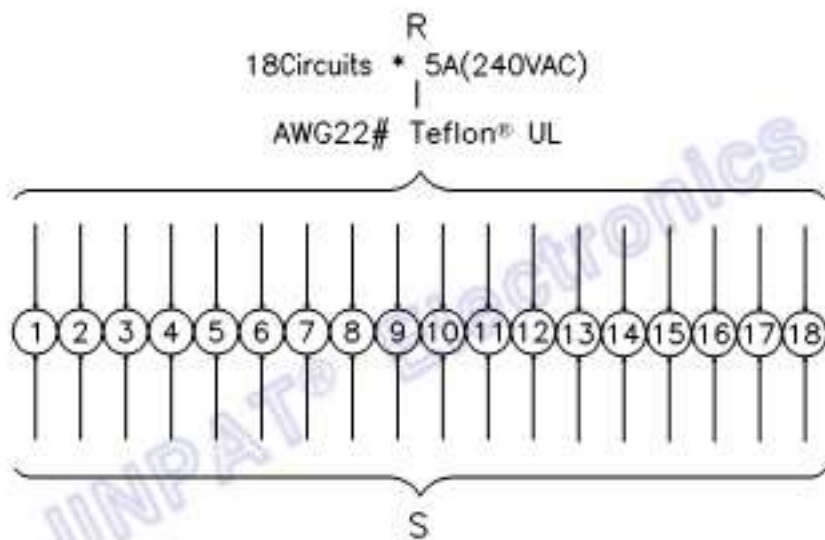


JINPAT
www.slipring.cn

MODEL	LPT050-1805						
Customer code	/		TITLE	Outline Drawing			
UNIT	mm	TO WHOM SPECIFIED	DESIGN	HW	DATE	2018.08.03	
SCALE	1:1	0-10 01.1 10-20 02.2 20-30 03.3 30-40 04.4 40-50 05.5 50-60 06.6 60-70 07.7 70-80 08.8 80-90 09.9 90-100 10.10	CHECKED	LWL	DATE	2018.08.03	
PROJ.		REV.	AG	PAGE	1/2		


REV	CONTENT OF AMENDMENT	DATE	BY

This document is the property of JINPAT Electronics Co., Ltd (Shenzhen) (Hereafter "JINPAT"). It is lent and is to be returned upon request. The contents of this document are confidential and constitute trade secrets proprietary to JINPAT. Its contents document nor its contents shall be disclosed to any unauthorized person copied or published without JINPAT prior written consent.
COPY RIGHT © 2018 JINPAT ELECTRONICS Co., Ltd (Shenzhen).



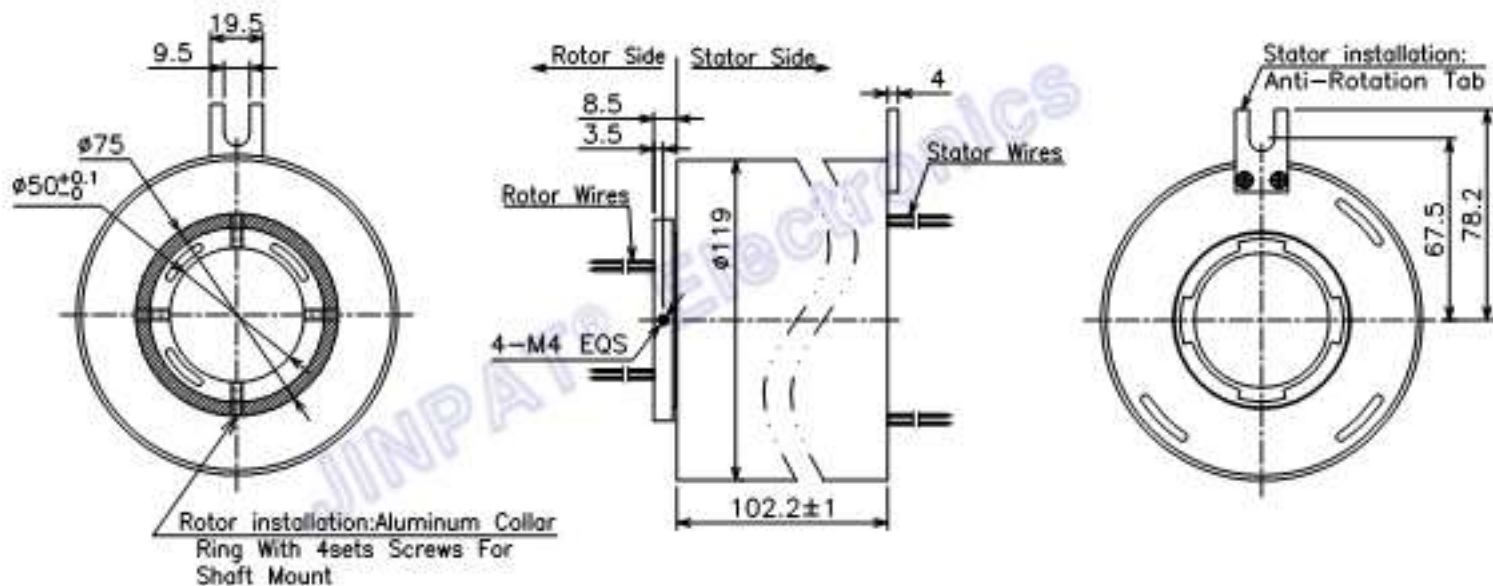
Electronic & Electric		Mechanical		
Circuits	Total	18 CIR	Working Speed	0-300rpm
	Detail	18x1A	Inner Diameter	40mm
Rating Voltage	240V AC/DC	Contact Material	Preious Metal	
Dielectric Strength	1000VAC@50Hz	Housing Material	Aluminum Alloy	
Insulation Resistance	>300MΩ@50VDC	Lead Wire Length	Station:300mm Reel:300mm	
Environment		Remarks		
Working Temperature	-20°C~+80°C	Other	/	
Working Humidity	40%RH			


JINPAT
www.slipring.cn

MODEL	LPT050-1805						
Customer code	/		TITLE	Wiring Diagram			
LWT	mm	PL UNITS SPECIFIED	DESIGN	HW	DATE	2018.08.03	
SCALE	1:1	5-18 05.1 1-18-05 02.12 1-18-20 02.2 02.2 02.2	CHECKED	LWL	DATE	2018.08.03	
PROJ		REV	AG	PAGE	1/2		

NO.	CONTENT OF AMENDMENT	DATE	BY

This document is the property of JINPAT Electronics Co., Ltd (Shenzhen) (Hereafter "JINPAT"). It is lent and is to be returned upon request. The contents of this document are confidential and constitute trade secrets proprietary to JINPAT. Its contents document nor its contents shall be disclosed to any unauthorized person copied or published without JINPAT prior written consent.
 COPYRIGHT © 2018 JINPAT ELECTRONICS Co., Ltd (Shenzhen).



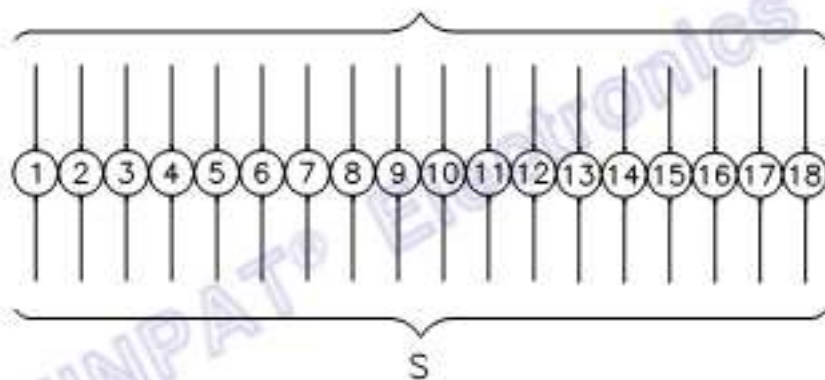
JINPAT
www.slipring.cn

MODEL	LPT050-1810						
Customer code	/		TITLE	Outline Drawing			
UNIT	mm	PER UNITS SPECIFIED	DESIGN	HWM	DATE	2018.08.03	
SCALE	1:1	LINE S-18 01.1 1-18-02 02.19 1-18-20 02.2 1-18-21 02.2	CHECKED	LWL	DATE	2018.08.03	
PROJ.	◆	02.7	REV.	AG	PAGE	1/2	

NO.	CONTENT OF AMENDMENT	DATE	BY


This document is the property of JINPAT Electronics Co., Ltd (Shenzhen) (Hereafter "JINPAT"). It is lent and is to be returned upon request. The contents of this document are confidential and constitute trade secrets proprietary to JINPAT. Its contents document nor its contents shall be disclosed to any unauthorized person copied or published without JINPAT prior written consent.
COPY RIGHT © 2018 JINPAT ELECTRONICS Co., Ltd (Shenzhen).

R
18Circuits * 10A(240VAC)
|
AWG17# Teflon® UL



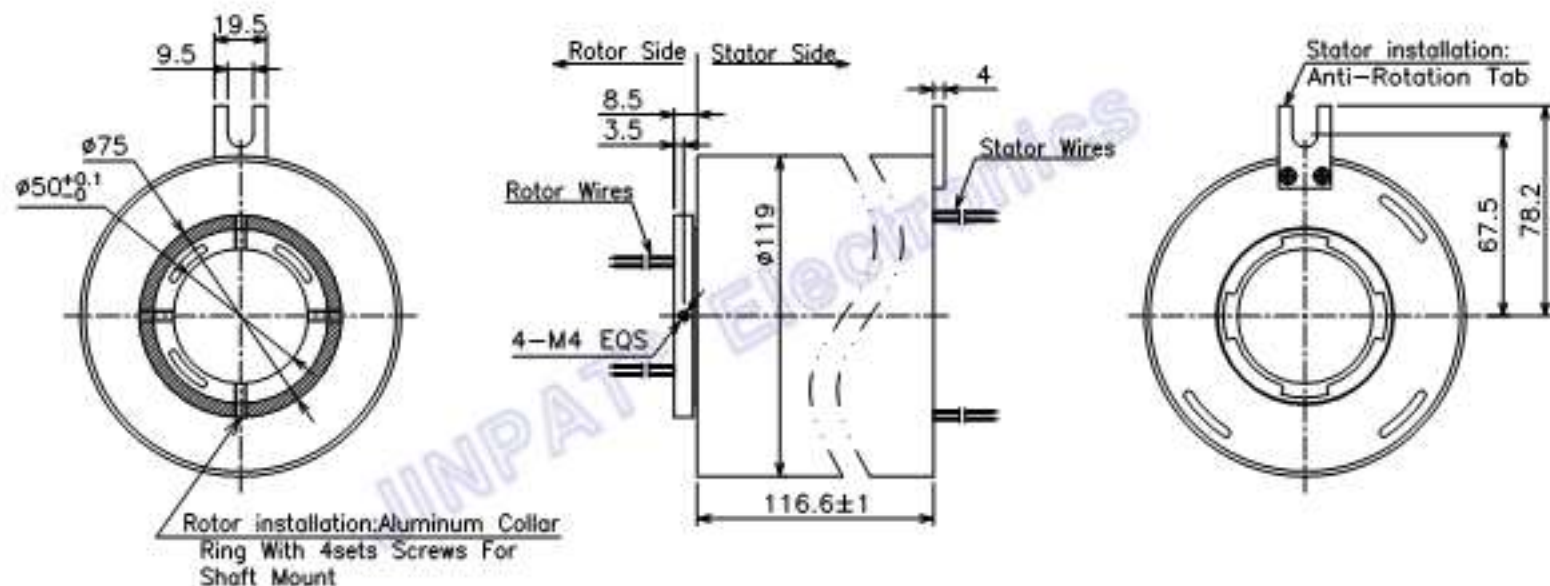
Electronic & Electric		Mechanical		
Circuits	Total	18 Ckt	Working Speed	0-300rpm
	Detail	18x10A	Inner Diameter	40mm
Rating Voltage	240V AC/DC	Contact Material	Precious Metal	
Dielectric Strength	1000VAC@50Hz	Housing Material	Aluminum Alloy	
Insulation Resistance	>300MΩ@50VDC	Lead Wire Length	Outer:300mm Inner:300mm	
Environment		Remarks		
Working Temperature	-20°C~+80°C	Other	/	
Working Humidity	40%RH			


JINPAT
www.slipring.cn

MODEL	LPT050-1810					
Customer code	/	TITLE	Wiring Diagram			
UNIT	mm	IS UNITS SPECIFIED	DESIGN	HW	DATE	2018.08.03
SCALE	1:1	UNITS mm INCH mm INCH	CHECKED	LWL	DATE	2018.08.03
PROJ.		REV.	AG	PAGE	1/2	

NO.	CONTENT OF AMENDMENT	DATE	BY

This document is the property of JINPAT Electronics Co., Ltd (Shenzhen) (Hereafter "JINPAT"). It is lent and is to be returned upon request. The contents of this document are confidential and constitute trade secrets proprietary to JINPAT. Its contents document nor its contents shall be disclosed to any unauthorized person copied or published without JINPAT prior written consent.
COPY RIGHT © 2018 JINPAT ELECTRONICS Co., Ltd (Shenzhen).



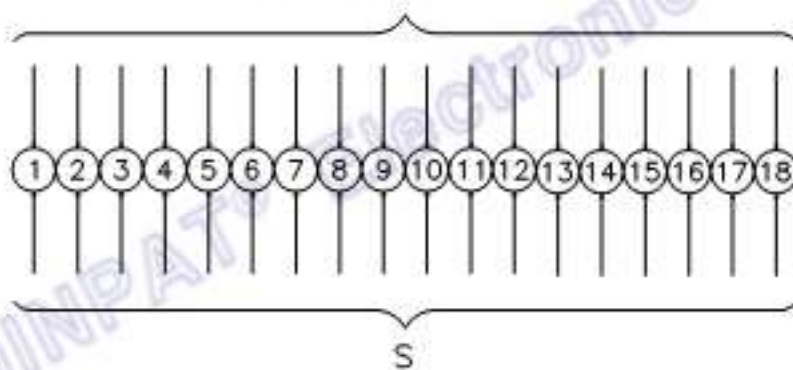
JINPAT
www.slipring.cn

MODEL	LPT050-1815						
Customer code	/		TITLE	Outline Drawing			
UNIT	mm	UNLESS SPECIFIED	DESIGN	HWM	DATE	2018.06.03	
SCALE	1:1	UNLESS SPECIFIED	CHECKED	LWL	DATE	2018.06.03	
PROJ.	◆	UNLESS SPECIFIED	REV.	AG	PAGE	1/2	

NO.	CONTENT OF AMENDMENT	DATE	BY


This document is the property of JINPAT Electronics Co., Ltd (Shenzhen) (Hereafter "JINPAT"). It is lent and is to be returned upon request. The contents of this document are confidential and constitute trade secrets proprietary to JINPAT. Its contents document nor its contents shall be disclosed to any unauthorized person copied or published without JINPAT prior written consent.
COPY RIGHT © 2018 JINPAT ELECTRONICS Co., Ltd (Shenzhen).

R
18Circuits * 15A(240VAC)
|
AWG14# Teflon® UL



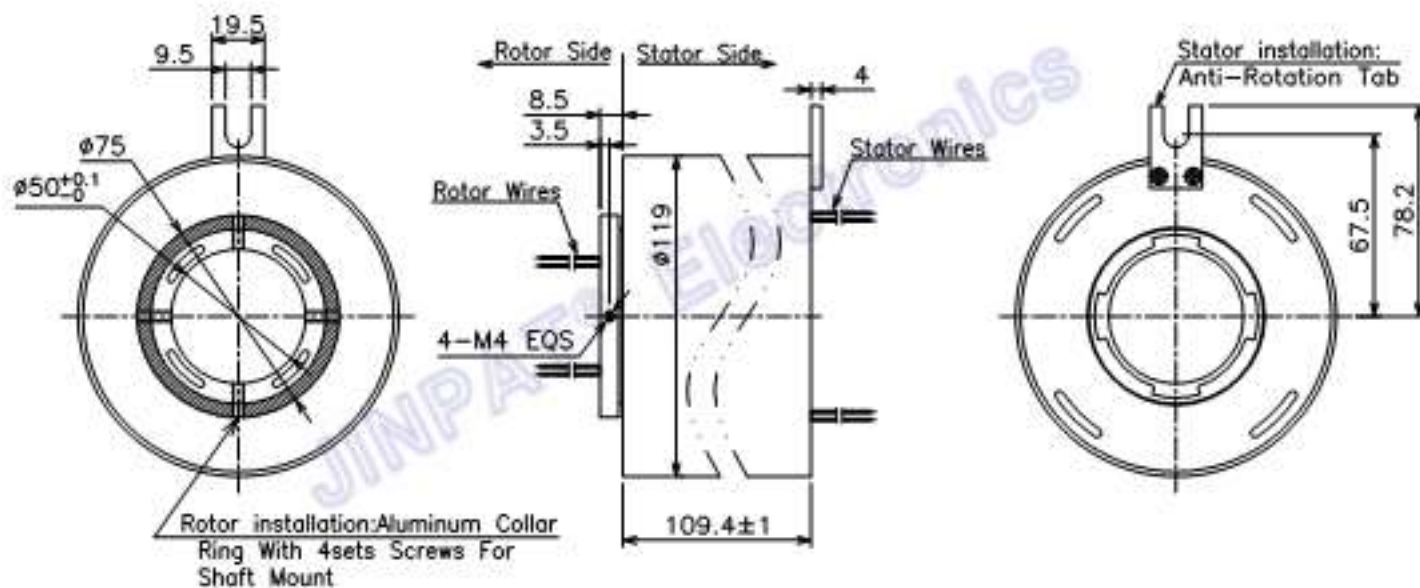
Electronic & Electric		Mechanical		
Circuits	Total	18 CIR	Working Speed	0-300rpm
	Detail	18x15A	Inner Diameter	40mm
Rating Voltage	240V AC/DC	Contact Material	Preious Metal	
Dielectric Strength	1000VAC@50Hz	Housing Material	Aluminum Alloy	
Insulation Resistance	>300MΩ@50VDC	Lead Wire Length	Outer:300mm Inner:300mm	
Environment		Remarks		
Working Temperature	-20°C~+80°C	Other	/	
Working Humidity	40%RH			


JINPAT
www.slpring.cn

MODEL	LPT050-1815						
Customer code	/		TITLE	Wiring Diagram			
LWT	mm	PL UNITS SPECIFIED	DESIGN	HW	DATE	2018.08.03	
SCALE	1:1	5--18 05.1 18--20 02.19 20--22 02.2 22--24 02.2 24--26 02.2 26--28 02.2 28--30 02.2	CHECKED	LWL	DATE	2018.08.03	
PROJ.		REV.	AG	PAGE	1/2		

NO.	CONTENT OF AMENDMENT	DATE	BY

This document is the property of JINPAT Electronics Co., Ltd (Shenzhen) (Hereafter "JINPAT"). It is lent and is to be returned upon request. The contents of this document are confidential and constitute trade secrets proprietary to JINPAT. Its contents document nor its contents shall be disclosed to any unauthorized person copied or published without JINPAT prior written consent.
COPY RIGHT © 2018 JINPAT ELECTRONICS Co., Ltd (Shenzhen).



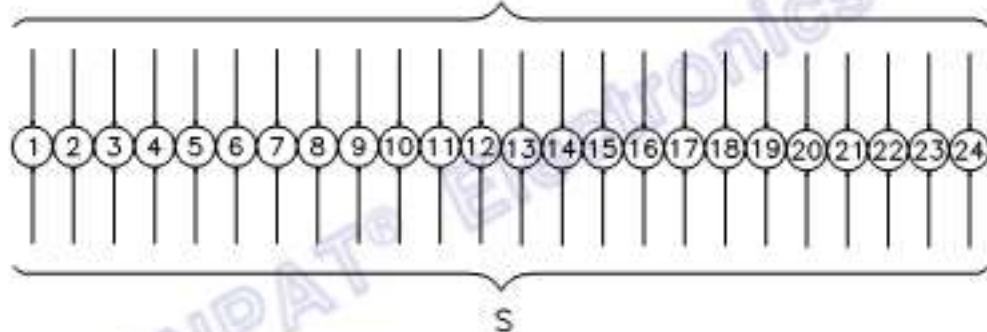
JINPAT
www.slipring.cn

MODEL	LPT050-2405						
Customer code	/		TITLE	Outline Drawing			
UNIT	mm	PER UNITS SPECIFIED	DESIGN	HW	DATE	2018.06.05	
SCALE	1:1	LINE S-19 45.1 7-8-20 42.19 1-6-20 40.2	CHECKED	LML	DATE	2018.06.05	
PROJ.		REV.	AG	PAGE	1/2		

REV	CONTENT OF AMENDMENT	DATE	BY


This document is the property of JINPAT Electronics Co., Ltd (ShenZhen) (Hereafter "JINPAT"). It is lent and is to be returned upon request. The contents of this document are confidential and constitute trade secrets proprietary to JINPAT. Its contents document nor its contents shall be disclosed to any unauthorized person copied or published without JINPAT prior written consent.
COPY RIGHT © 2018 JINPAT ELECTRONICS Co., Ltd (ShenZhen).

R
24Circuits * 5A(240VAC)
|
AWG22# Teflon® UL



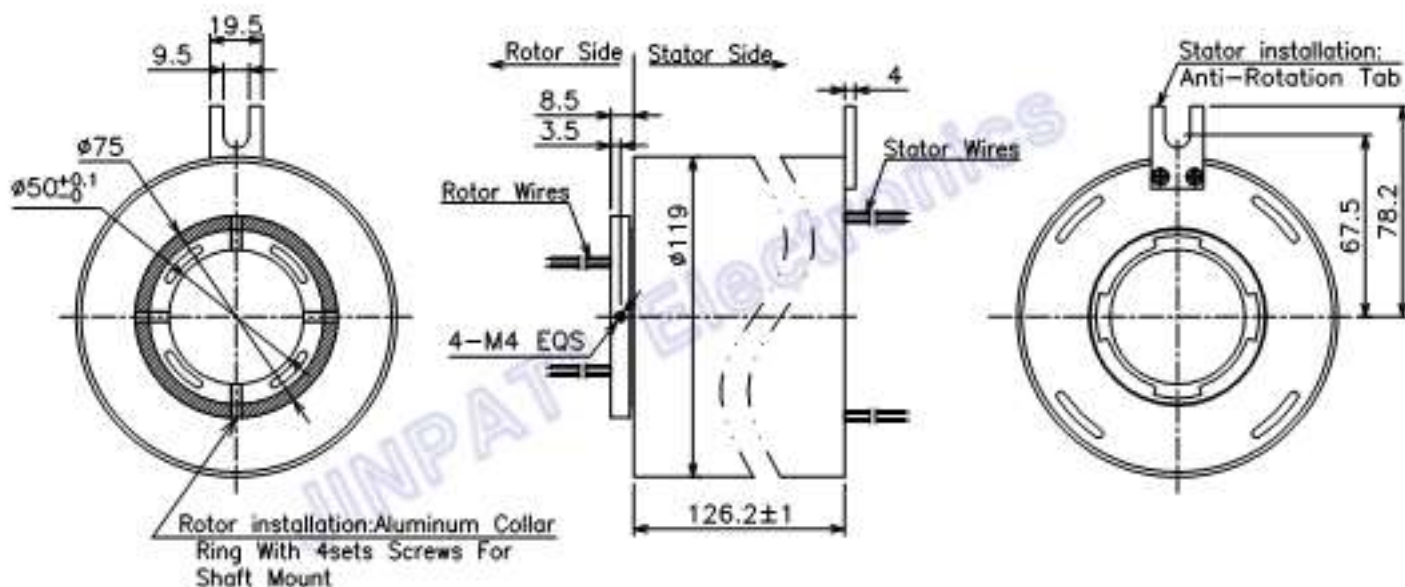
Electronic & Electric		Mechanical		
Circuits	Total	24 DC	Working Speed	0-300rpm
	Detail	24x5A	Inner Diameter	40mm
Rating Voltage	240V AC/DC	Contact Material	Phospor Metal	
Dielectric Strength	1000VAC@50Hz	Housing Material	Aluminum Alloy	
Insulation Resistance	>300MΩ@50VDC	Lead Wire Length	Outer:300mm Inner:300mm	
Environment		Remarks		
Working Temperature	-20°C~+80°C	Other	/	
Working Humidity	40%RH			


JINPAT
www.slipring.cn

MODEL	LPT050-2405					
Customer code	/		TITLE	Wiring Diagram		
LWT	mm	PL UNITS SPECIFIED	DESIGN	HW	DATE	2018.08.03
SCALE	1:1	0-10 05.1 10-20 02.10 20-30 02.2 30-40 02.1 40-50 02.1	CHECKED	LWL	DATE	2018.08.03
PROJ		REV	AG	PAGE	1/2	

NO.	CONTENT OF AMENDMENT	DATE	BY

This document is the property of JINPAT Electronics Co., Ltd (Shenzhen) (Hereafter "JINPAT"). It is lent and is to be returned upon request. The contents of this document are confidential and constitute trade secrets proprietary to JINPAT. Its contents document nor its contents shall be disclosed to any unauthorized person copied or published without JINPAT prior written consent.
COPY RIGHT © 2018 JINPAT ELECTRONICS Co., Ltd (Shenzhen).



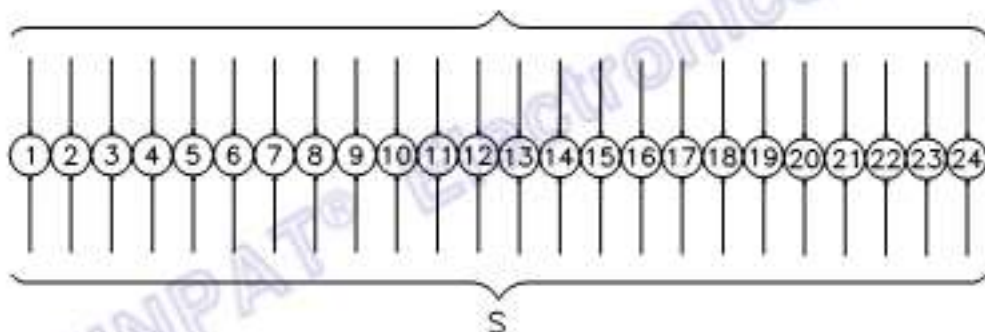
JINPAT
www.slpring.cn

MODEL	LPT050-2410						
Customer code	/		TITLE	Outline Drawing			
UNIT	mm	UNLESS SPECIFIED	DESIGN	HW	DATE	2018.08.03	
SCALE	1:1	UNLESS SPECIFIED	CHECKED	LWL	DATE	2018.08.03	
PROJ.		UNLESS SPECIFIED	REV.	AG	PAGE	1/2	

NO.	CONTENT OF AMENDMENT	DATE	BY


This document is the property of JINPAT Electronics Co., Ltd (ShenZhen) (Hereafter "JINPAT"). It is lent and is to be returned upon request. The contents of this document are confidential and constitute trade secrets proprietary to JINPAT. Its contents document nor its contents shall be disclosed to any unauthorized person copied or published without JINPAT prior written consent.
COPY RIGHT © 2018 JINPAT ELECTRONICS Co., Ltd (ShenZhen).

R
24Circuits * 10A(240VAC)
|
AWG17# Teflon® UL



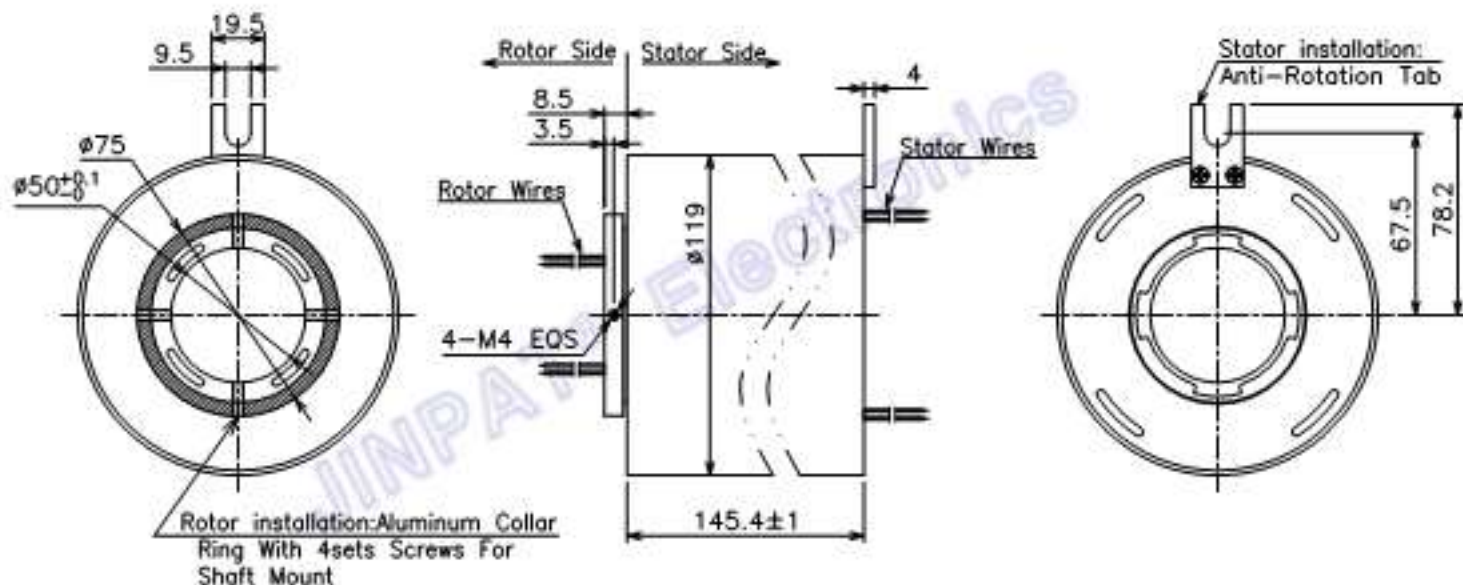
Electronic & Electric			Mechanical		
Circuits	Total	24 DC	Working Speed	0-300rpm	
	Detail	24x10A	Inner Diameter	40mm	
Rating Voltage	240V AC/DC		Contact Material	Precious Metal	
Dielectric Strength	1000VAC@50Hz		Housing Material	Aluminum Alloy	
Insulation Resistance	≥300MΩ@50VDC		Lead Wire Length	Outer:300mm Inner:300mm	
Environment			Remarks		
Working Temperature	-20°C~+80°C		Other	/	
Working Humidity	40%RH				


JINPAT
www.slipring.cn

MODEL	LPT050-2410					
Customer code	/		TITLE	Wiring Diagram		
LWT	mm	PL UNLESS SPECIFIED	DESIGN	HW	DATE	2018.08.03
SCALE	1:1	UNLESS SPECIFIED	CHECKED	LWL	DATE	2018.08.03
PROJ.		UNLESS SPECIFIED	REV.	AG	PAGE	1/2

NO.	CONTENT OF AMENDMENT	DATE	BY

This document is the property of JINPAT Electronics Co., Ltd (Shenzhen) (Hereafter "JINPAT"). It is lent and is to be returned upon request. The contents of this document are confidential and constitute trade secrets proprietary to JINPAT. Its contents document nor its contents shall be disclosed to any unauthorized person copied or published without JINPAT prior written consent.
COPY RIGHT © 2018 JINPAT ELECTRONICS Co., Ltd (Shenzhen).



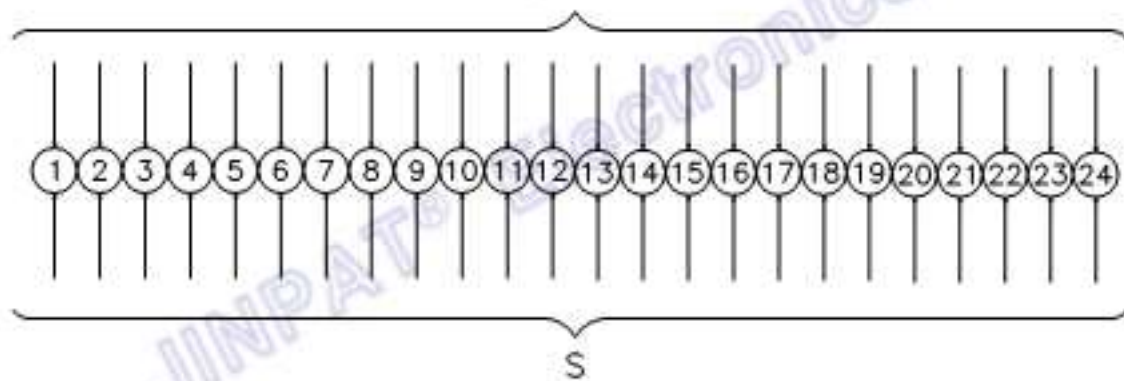
JINPAT
www.slipring.cn

MODEL	LPT050-2415						
Customer code	/		TITLE	Outline Drawing			
UNIT	mm	UNLESS SPECIFIED	DESIGN	HJM	DATE	2018.06.03	
SCALE	1:1	LINE S-19 45.1 V-18-20 40.2 S-18-20 40.2 S-18-20 40.2	CHECKED	LML	DATE	2018.06.03	
PROJ.	◆	40.2	REV.	AG	PAGE	1/2	

NO.	CONTENT OF AMENDMENT	DATE	BY

This document is the property of JINPAT Electronics Co., Ltd (ShenZhen) (Hereafter "JINPAT"). It is lent and is to be returned upon request. The contents of this document are confidential and constitute trade secrets proprietary to JINPAT. Its contents document nor its contents shall be disclosed to any unauthorized person copied or published without JINPAT prior written consent.
COPY RIGHT © 2018 JINPAT ELECTRONICS Co., Ltd (ShenZhen).

R
24Circuits * 15A(240VAC)
|
AWG14# Teflon® UL



Electronic & Electric		Mechanical		
Circuits	Total	24 DC	Working Speed	0-300rpm
	Detail	24x15A	Inner Diameter	40mm
Rating Voltage	240V AC/DC	Contact Material	Preious Metal	
Dielectric Strength	1000VAC@50Hz	Housing Material	Aluminum Alloy	
Insulation Resistance	>500MΩ@50VDC	Lead Wire Length	Outer:300mm Inner:300mm	
Environment		Remarks		
Working Temperature	-20°C~+80°C	Other	/	
Working Humidity	40%RH			


JINPAT
www.slipring.cn

MODEL	LPT050-2415					
Customer code	/		TITLE	Wiring Diagram		
LWT	mm	PL UNITS SPECIFIED	DESIGN	HW	DATE	2018.08.03
SCALE	1:1	UNITS 1-10 mm 10-20 mm 20-50 mm 50-100 mm	CHECKED	LWL	DATE	2018.08.03
PROJ.		REV.	AG	PAGE	1/2	