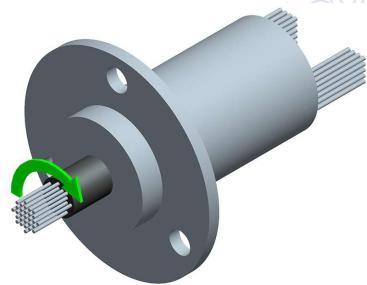
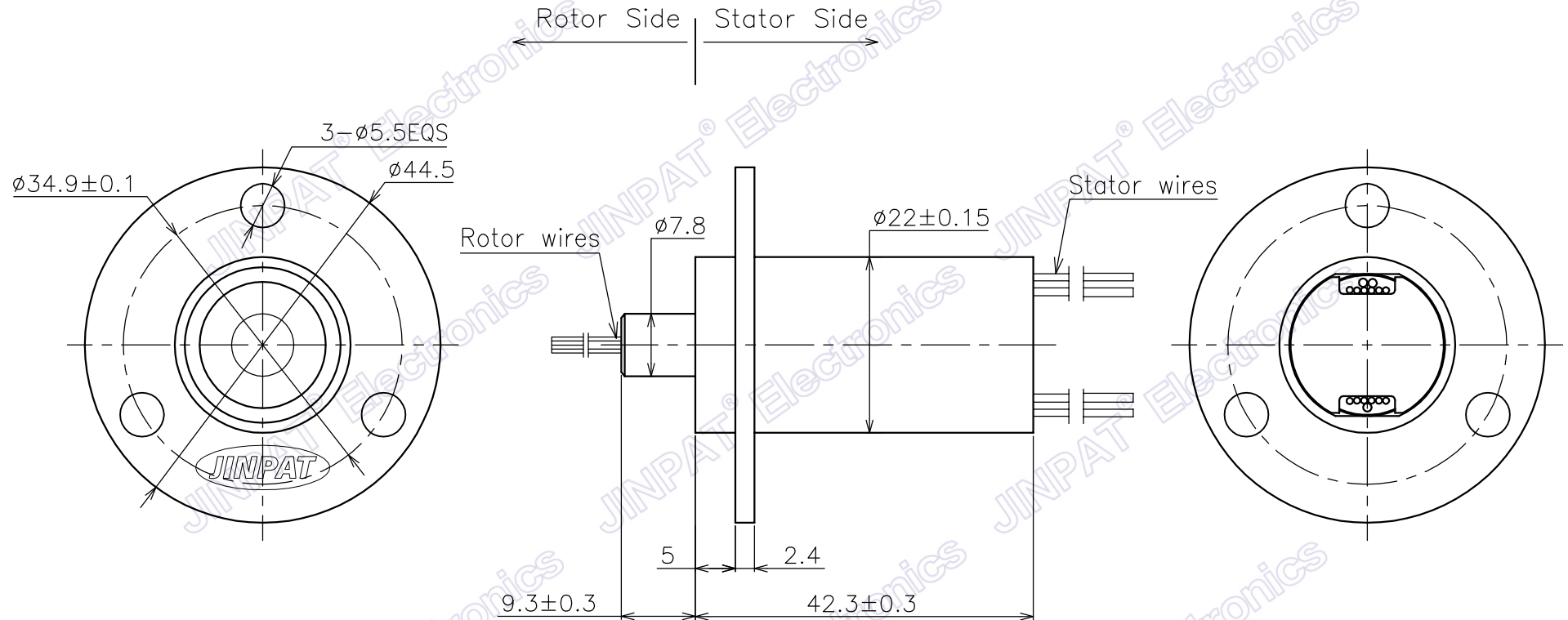

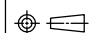


MARK	CONTENT OF AMENDMENT	DATE	DRAW

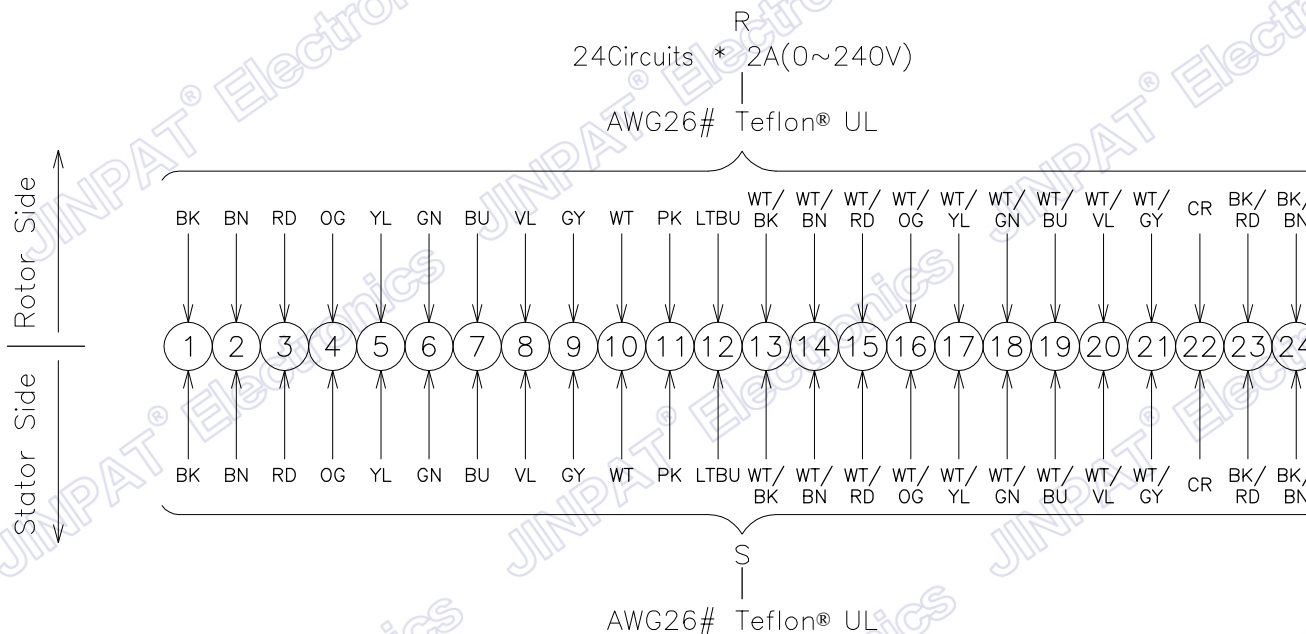
This document is the property of JINPAT Electronics Co., Ltd (ShenZhen) (Hereafter "JINPAT"). It is lent and is to be returned upon request. The contents of this document are confidential and constitute trade secrets propriety to JINPAT. Its contents document nor its contents shall be disclosed to any unauthorized person copied or published without JINPAT prior written consent.
COPY RIGHT © 2022 JINPAT ELECTRONICS Co., Ltd (ShenZhen).



 JINPAT www.slipring.cn	MODEL	LPC-24					
	Customer code				TITLE	Outline Drawing	
UNIT	mm	TOL UNLESS SPECIFIED		DESIGN	ZYH	DATE	2022.04.02
SCALE	1:1	LINEAR 0--18 ±0.1 >18--80 ±0.15 >80--250 ±0.2		CHECKED	LML	DATE	2022.04.02
PROJ.		ANGLE ° ±0.5°		REV.	AO	PAGE	1/2

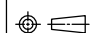
MARK	CONTENT OF AMENDMENT	DATE	DRAW

This document is the property of JINPAT Electronics Co., Ltd (ShenZhen) (Hereafter "JINPAT"). It is lent and is to be returned upon request. The contents of this document are confidential and constitute trade secrets proprietary to JINPAT. Its contents document nor its contents shall be disclosed to any unauthorized person copied or published without JINPAT prior written consent.
COPY RIGHT © 2022 JINPAT ELECTRONICS Co., Ltd (ShenZhen).



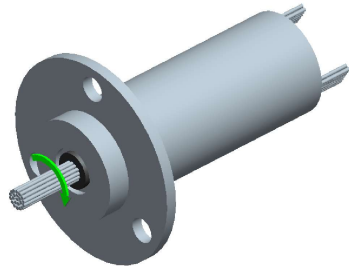
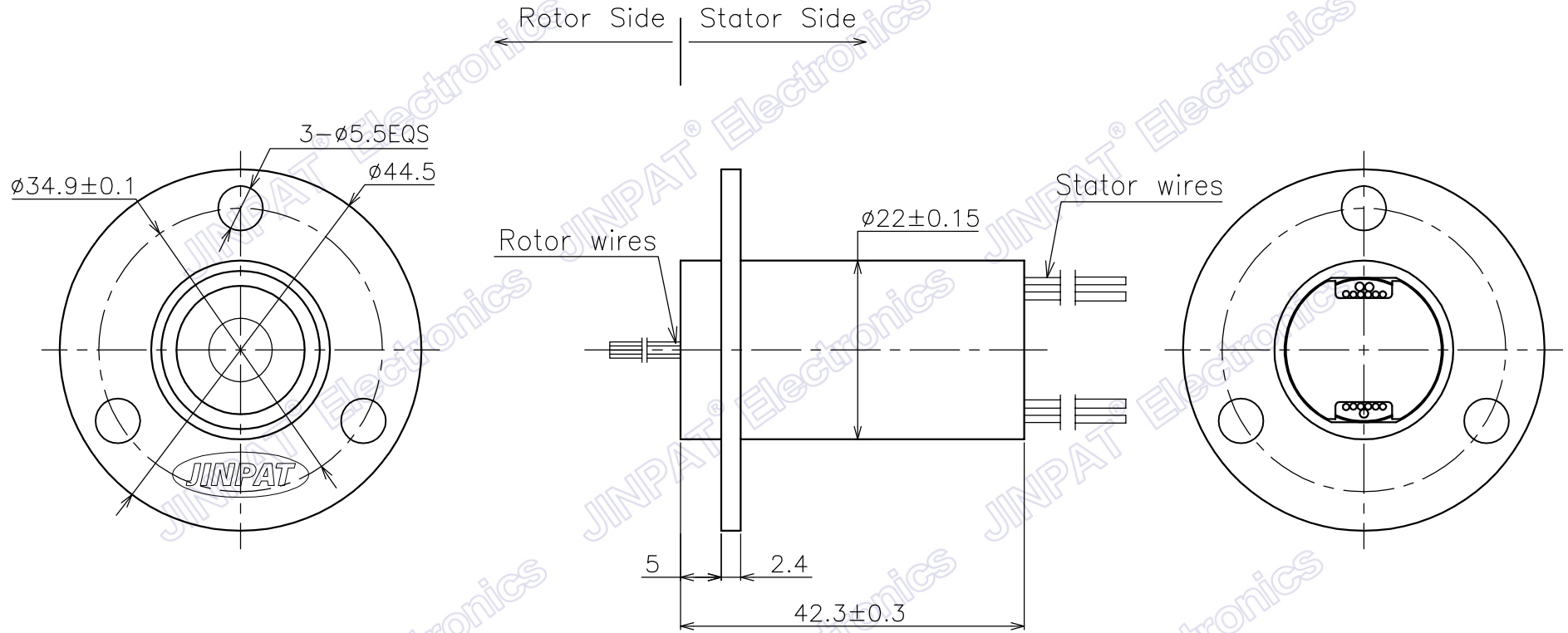
Electronic & Electric		Mechanical		
Circuits	Total	24 CKT	Working Speed	0~300rpm
	Detail	24x2A	Contact Material	Gold to Gold
Rating Voltage		0~240V AC/DC	Housing Material	Engineering plastics
Dielectric Strength		≥500VAC@50Hz	Lead Wire Length	Stator:250±5mm Rotor:250±5mm
Insulation Resistance		≥1000MΩ@500VDC	Electrical Noise	≤35mΩ
Environment		Remarks		
Working Temperature	-20°C~+60°C	Application	/	
Working Humidity	≤60%RH	Other	/	
IP	IP40			


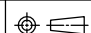

JINPAT
www.slipring.cn

MODEL	LPC-24						
Customer code		TITLE	Wiring Diagram				
UNIT	mm	TOL UNLESS SPECIFIED	DESIGN	ZYH	DATE	2022.04.02	
SCALE	1:1	LINEAR 0-18 ±0.1 >18-80 ±0.15 >80-250 ±0.2 ANGLE x° ±0.5°	CHECKED	LML	DATE	2022.04.02	
PROJ.			REV.	AO	PAGE	2/2	

MARK	CONTENT OF AMENDMENT	DATE	DRAW

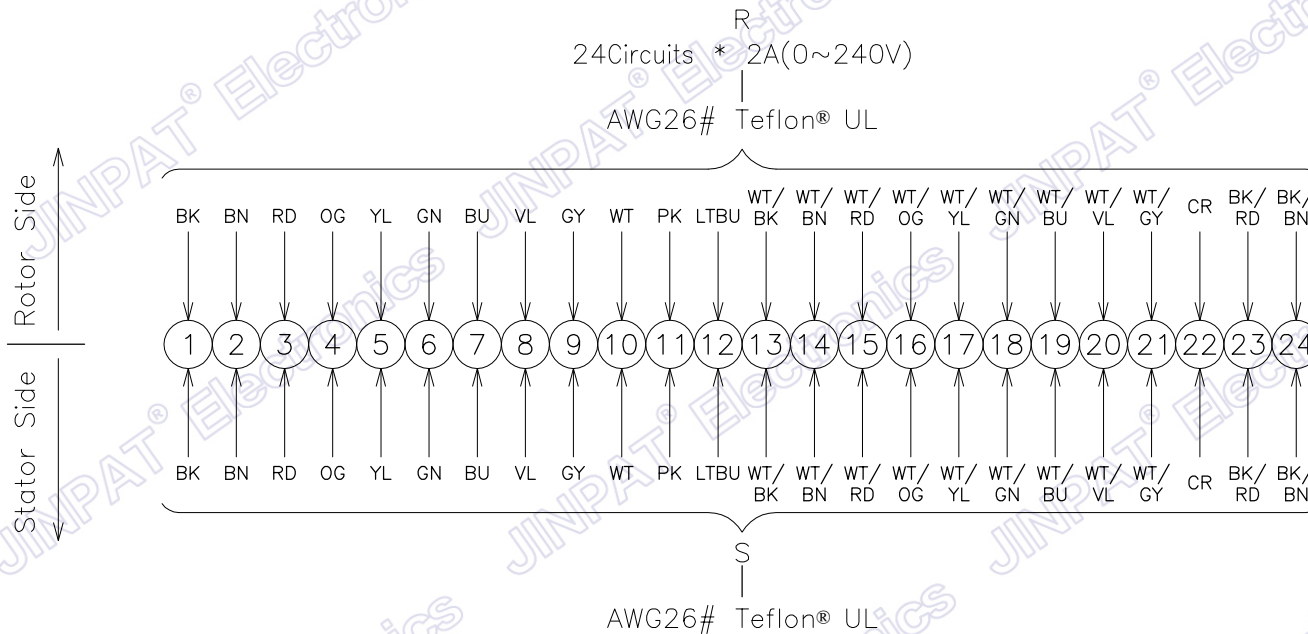
This document is the property of JINPAT Electronics Co., Ltd (ShenZhen) (Hereafter "JINPAT"). It is lent and is to be returned upon request. The contents of this document are confidential and constitute trade secrets propriety to JINPAT. Its contents document nor its contents shall be disclosed to any unauthorized person copied or published without JINPAT prior written consent.
COPY RIGHT © 2022 JINPAT ELECTRONICS Co., Ltd (ShenZhen).



 JINPAT www.slipring.cn	MODEL	LPC-24YB					
	Customer code		TITLE	Outline Drawing			
UNIT	mm	TOL UNLESS SPECIFIED	DESIGN	ZYH	DATE	2022.04.02	
SCALE	1:1	LINEAR 0--18 ±0.1 >18--80 ±0.15 >80--250 ±0.2 ANGLE ° ±0.5°	CHECKED	LML	DATE	2022.04.02	
PROJ.			REV.	AO	PAGE	1/2	

MARK	CONTENT OF AMENDMENT	DATE	DRAW

This document is the property of JINPAT Electronics Co., Ltd (ShenZhen) (Hereafter "JINPAT"). It is lent and is to be returned upon request. The contents of this document are confidential and constitute trade secrets proprietary to JINPAT. Its contents document nor its contents shall be disclosed to any unauthorized person copied or published without JINPAT prior written consent.
COPY RIGHT © 2022 JINPAT ELECTRONICS Co., Ltd (ShenZhen).



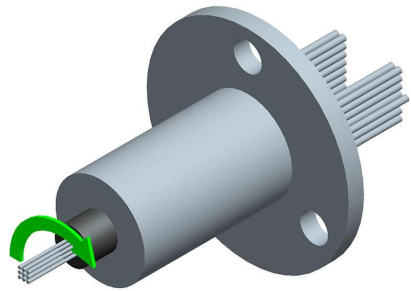
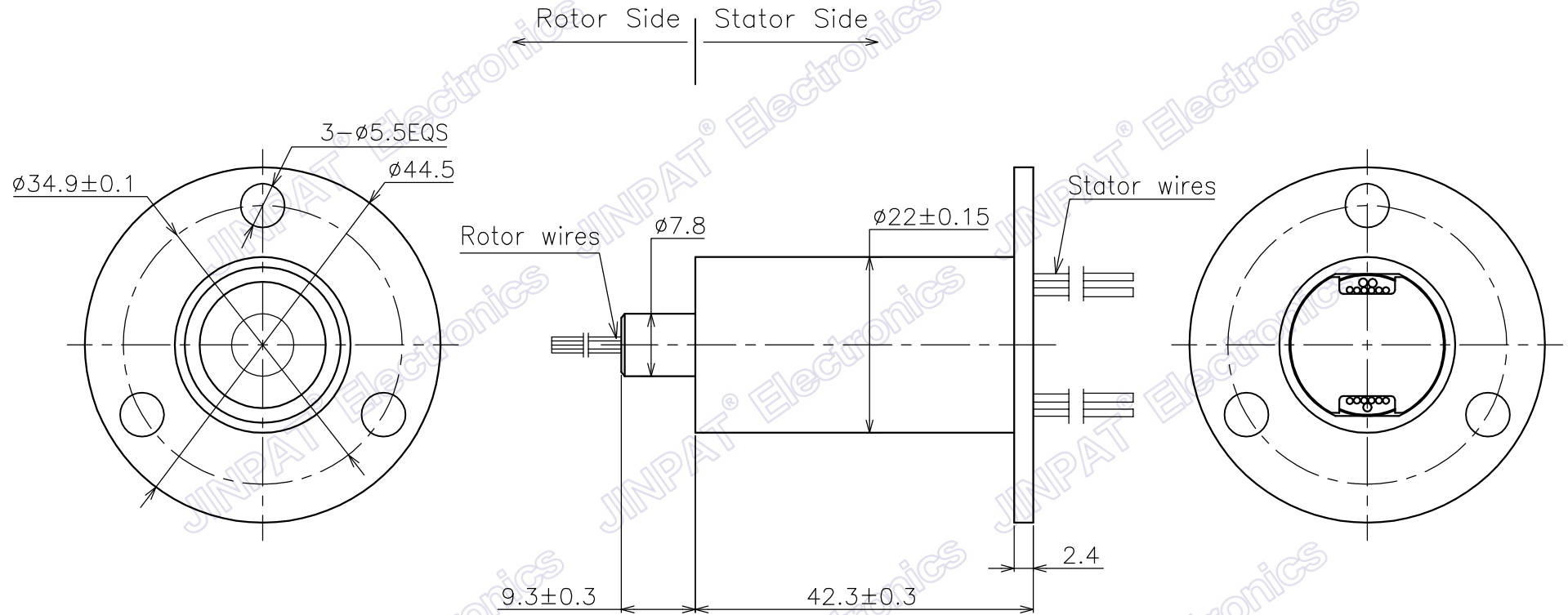
Electronic & Electric		Mechanical		
Circuits	Total	24 CKT	Working Speed	0~300rpm
	Detail	24x2A	Contact Material	Gold to Gold
Rating Voltage		0~240V AC/DC	Housing Material	Engineering plastics
Dielectric Strength		≥500VAC@50Hz	Lead Wire Length	Stator:250±5mm Rotor:250±5mm
Insulation Resistance		≥1000MΩ@500VDC	Electrical Noise	≤35mΩ
Environment		Remarks		
Working Temperature	-20°C~+60°C	Application	/	
Working Humidity	≤60%RH	Other	/	
IP	IP40			


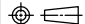

JINPAT
www.slipring.cn

MODEL		LPC-24YB				
Customer code		TITLE	Wiring Diagram			
	UNIT	mm	DESIGN	ZYH	DATE	2022.04.02
SCALE	1:1	TOL UNLESS SPECIFIED LINEAR 0--18 ±0.1 >18--80 ±0.15 >80--250 ±0.2 ANGLE x° ±0.5°	CHECKED	LML	DATE	2022.04.02
			PROJ.	REV.	AO	PAGE

MARK	CONTENT OF AMENDMENT	DATE	DRAW

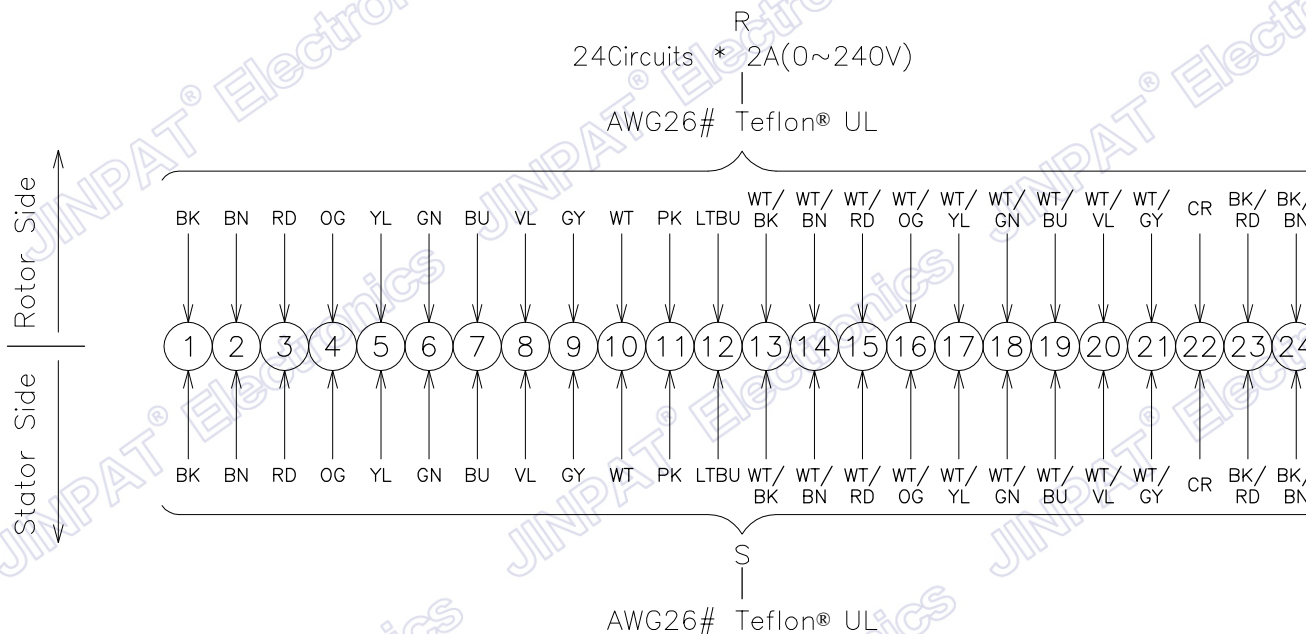
This document is the property of JINPAT Electronics Co., Ltd (ShenZhen) (Hereafter "JINPAT"). It is lent and is to be returned upon request. The contents of this document are confidential and constitute trade secrets propriety to JINPAT. Its contents document nor its contents shall be disclosed to any unauthorized person copied or published without JINPAT prior written consent.
COPY RIGHT © 2022 JINPAT ELECTRONICS Co., Ltd (ShenZhen).



 JINPAT www.slipring.cn	MODEL	LPC-24YD					
	Customer code		TITLE	Outline Drawing			
	UNIT	mm	TOL UNLESS SPECIFIED	DESIGN	ZYH	DATE	2022.04.02
	SCALE	1:1	LINEAR 0--18 ±0.1 >18--80 ±0.15 >80--250 ±0.2 ANGLE ° ±0.5°	CHECKED	LML	DATE	2022.04.02
PROJ.			REV.	AO	PAGE	1/2	

MARK	CONTENT OF AMENDMENT	DATE	DRAW

This document is the property of JINPAT Electronics Co., Ltd (ShenZhen) (Hereafter "JINPAT"). It is lent and is to be returned upon request. The contents of this document are confidential and constitute trade secrets proprietary to JINPAT. Its contents document nor its contents shall be disclosed to any unauthorized person copied or published without JINPAT prior written consent.
COPY RIGHT © 2022 JINPAT ELECTRONICS Co., Ltd (ShenZhen).



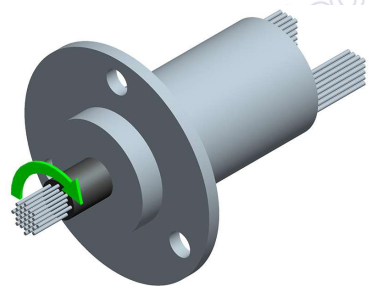
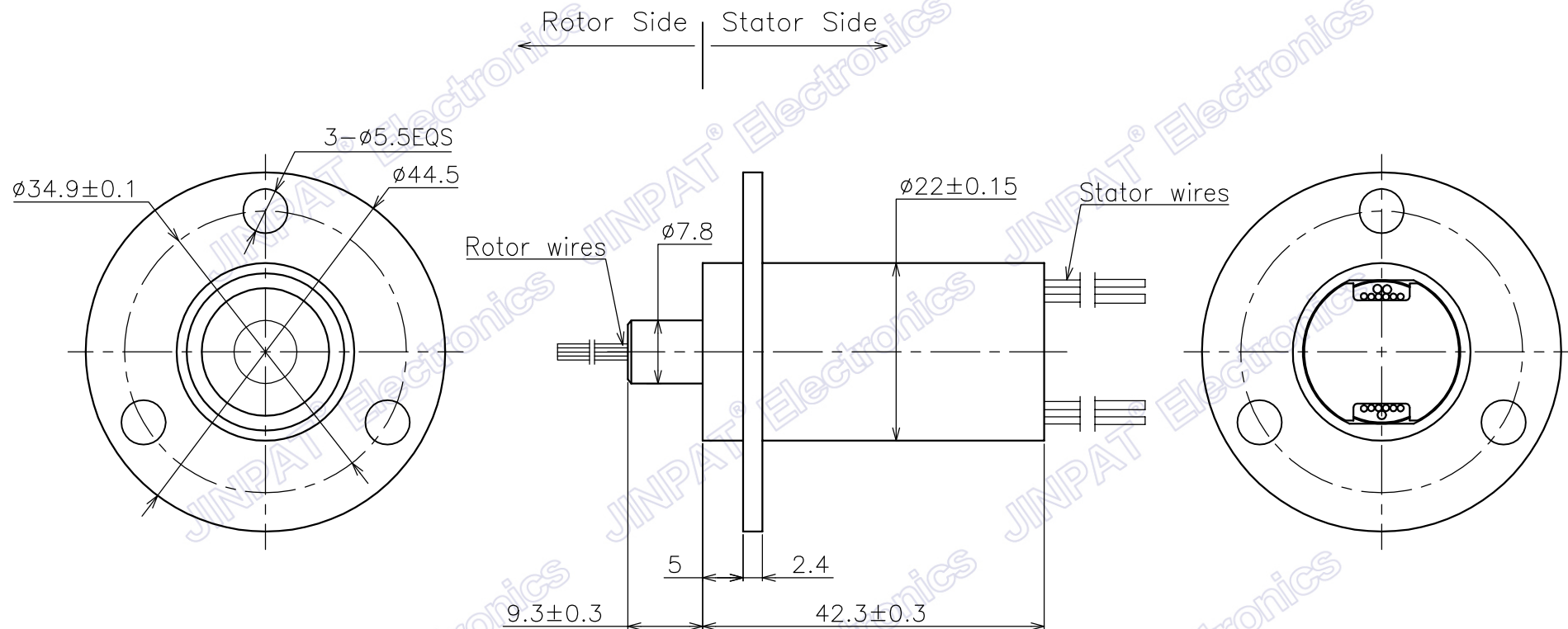
Electronic & Electric		Mechanical		
Circuits	Total	24 CKT	Working Speed	0~300rpm
	Detail	24x2A	Contact Material	Gold to Gold
Rating Voltage		0~240V AC/DC	Housing Material	Aluminum Alloy
Dielectric Strength		≥500VAC@50Hz	Lead Wire Length	Stator:250±5mm Rotor:250±5mm
Insulation Resistance		≥1000MΩ@500VDC	Electrical Noise	≤35mΩ
Environment		Remarks		
Working Temperature	-20°C~+60°C	Application	/	
Working Humidity	≤60%RH	Other	/	
IP	IP40			


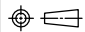

JINPAT
www.slipring.cn

MODEL		LPC-24YD				
Customer code		TITLE	Wiring Diagram			
	UNIT	mm	DESIGN	ZYH	DATE	2022.04.02
SCALE	1:1	TOL UNLESS SPECIFIED LINEAR 0--18 ±0.1 >18--80 ±0.15 >80--250 ±0.2 ANGLE x° ±0.5°	CHECKED	LML	DATE	2022.04.02
			PROJ.	REV.	AO	PAGE

MARK	CONTENT OF AMENDMENT	DATE	DRAW

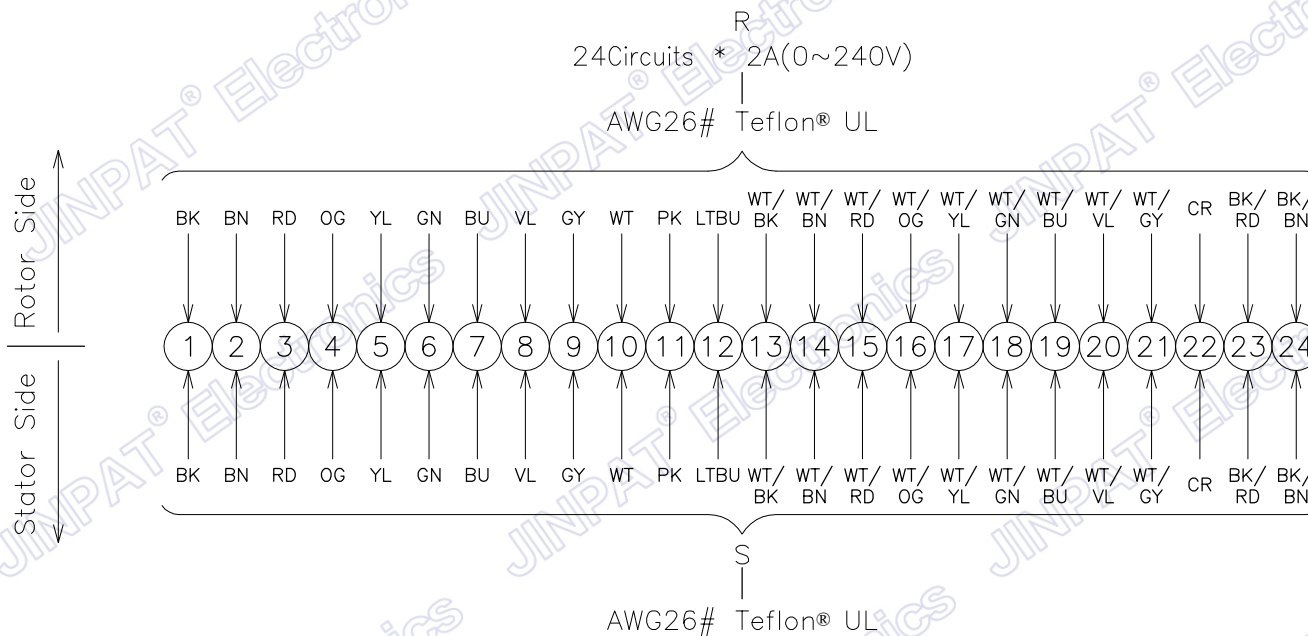
This document is the property of JINPAT Electronics Co., Ltd (ShenZhen) (Hereafter "JINPAT"). It is lent and is to be returned upon request. The contents of this document are confidential and constitute trade secrets propriety to JINPAT. Its contents document nor its contents shall be disclosed to any unauthorized person copied or published without JINPAT prior written consent.
COPY RIGHT © 2022 JINPAT ELECTRONICS Co., Ltd (ShenZhen).



 JINPAT www.slipring.cn	MODEL	LPC-24YJ					
	Customer code		TITLE	Outline Drawing			
UNIT	mm	TOL UNLESS SPECIFIED	DESIGN	ZYH	DATE	2022.04.02	
SCALE	1:1	LINEAR 0--18 ±0.1 >18--80 ±0.15 >80--250 ±0.2 ANGLE ° ±0.5°	CHECKED	LML	DATE	2022.04.02	
PROJ.			REV.	AO	PAGE	1/2	

MARK	CONTENT OF AMENDMENT	DATE	DRAW

This document is the property of JINPAT Electronics Co., Ltd (ShenZhen) (Hereafter "JINPAT"). It is lent and is to be returned upon request. The contents of this document are confidential and constitute trade secrets propriety to JINPAT. Its contents document nor its contents shall be disclosed to any unauthorized person copied or published without JINPAT prior written consent.
COPY RIGHT © 2022 JINPAT ELECTRONICS Co., Ltd (ShenZhen).



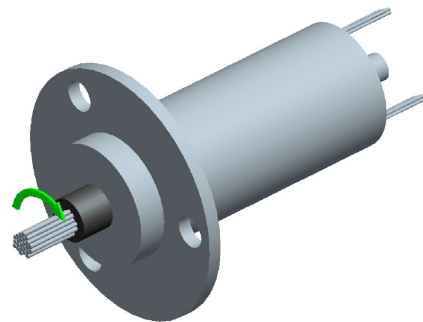
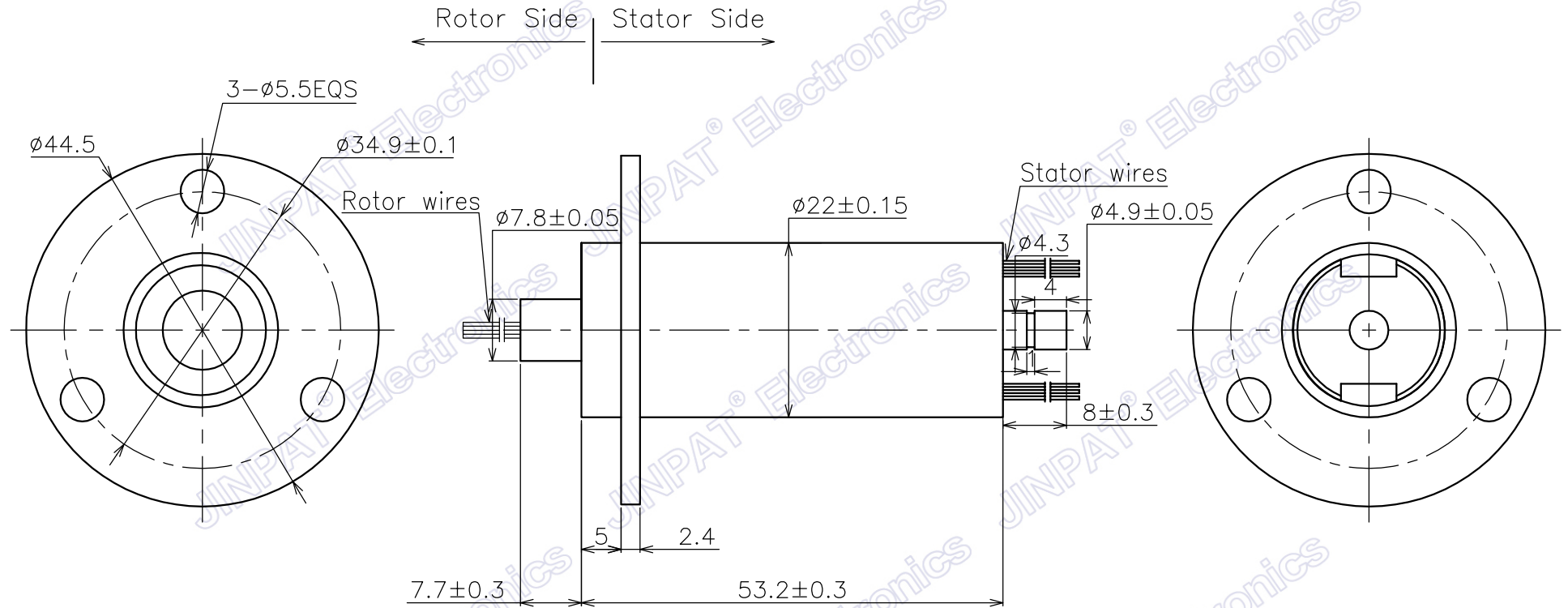
Electronic & Electric		Mechanical		
Circuits	Total	24 CKT	Working Speed	0~300rpm
	Detail	24x2A	Contact Material	Gold to Gold
Rating Voltage		0~240V AC/DC	Housing Material	Aluminum Alloy
Dielectric Strength		≥500VAC@50Hz	Lead Wire Length	Stator:250±5mm Rotor:250±5mm
Insulation Resistance		≥1000MΩ@500VDC	Electrical Noise	≤35mΩ
Environment		Remarks		
Working Temperature	-20°C~+60°C	Application	/	
Working Humidity	≤60%RH	Other	/	
IP	IP40			


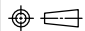

JINPAT
www.slipring.cn

MODEL		LPC-24YJ				
Customer code		TITLE	Wiring Diagram			
	UNIT	mm	DESIGN	ZYH	DATE	2022.04.02
SCALE	1:1	TOL UNLESS SPECIFIED LINEAR 0--18 ±0.1 >18--80 ±0.15 >80--250 ±0.2 ANGLE x° ±0.5°	CHECKED	LML	DATE	2022.04.02
			PROJ.	REV.	AO	PAGE

MARK	CONTENT OF AMENDMENT	DATE	DRAW

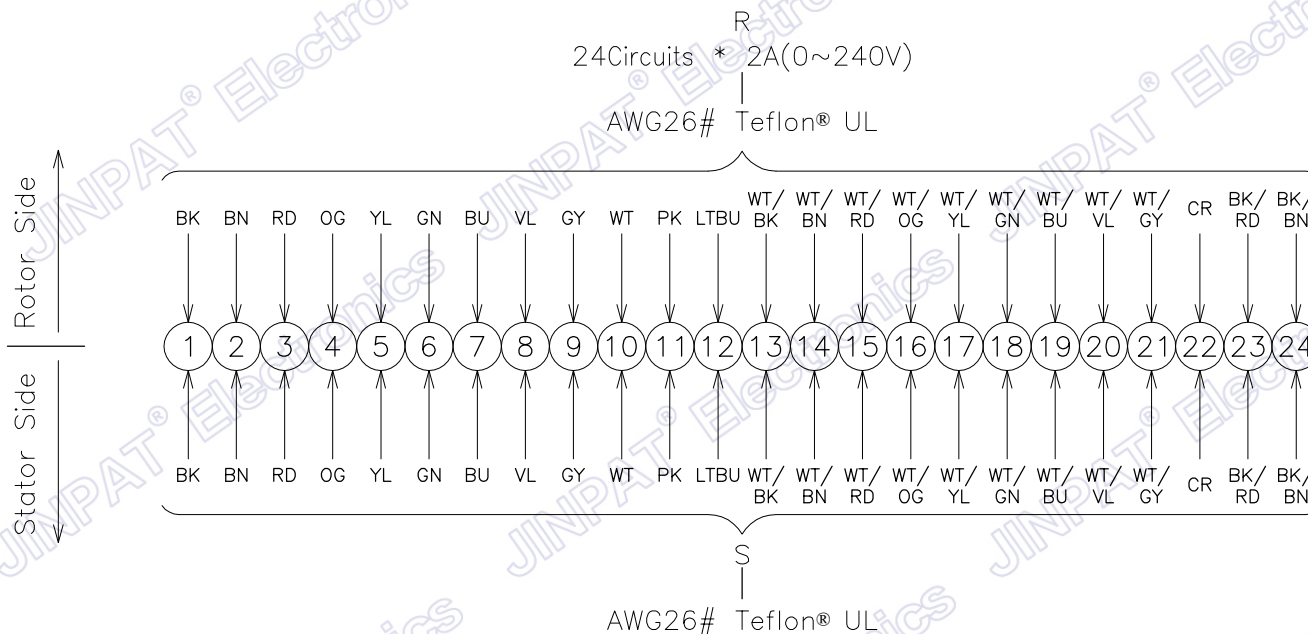
This document is the property of JINPAT Electronics Co., Ltd (ShenZhen) (Hereafter "JINPAT"). It is lent and is to be returned upon request. The contents of this document are confidential and constitute trade secrets proprietary to JINPAT. Its contents document nor its contents shall be disclosed to any unauthorized person copied or published without JINPAT prior written consent.
COPY RIGHT © 2022 JINPAT ELECTRONICS Co., Ltd (ShenZhen).



 JINPAT www.slipring.cn	MODEL	LPC-24YS					
	Customer code		TITLE	Outline Drawing			
	UNIT	mm	TOL UNLESS SPECIFIED	DESIGN	ZYH	DATE	2022.04.02
	SCALE	1:1	LINEAR 0--18 ±0.1 >18--80 ±0.15 >80--250 ±0.2 ANGLE ° ±0.5°	CHECKED	LML	DATE	2022.04.02
PROJ.			REV.	AO	PAGE	1/2	

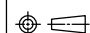
MARK	CONTENT OF AMENDMENT	DATE	DRAW

This document is the property of JINPAT Electronics Co., Ltd (ShenZhen) (Hereafter "JINPAT"). It is lent and is to be returned upon request. The contents of this document are confidential and constitute trade secrets propriety to JINPAT. Its contents document nor its contents shall be disclosed to any unauthorized person copied or published without JINPAT prior written consent.
COPY RIGHT © 2022 JINPAT ELECTRONICS Co., Ltd (ShenZhen).



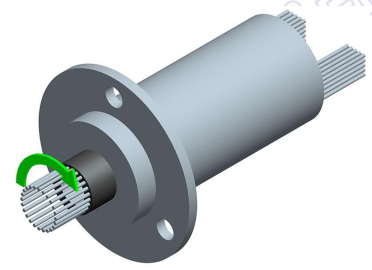
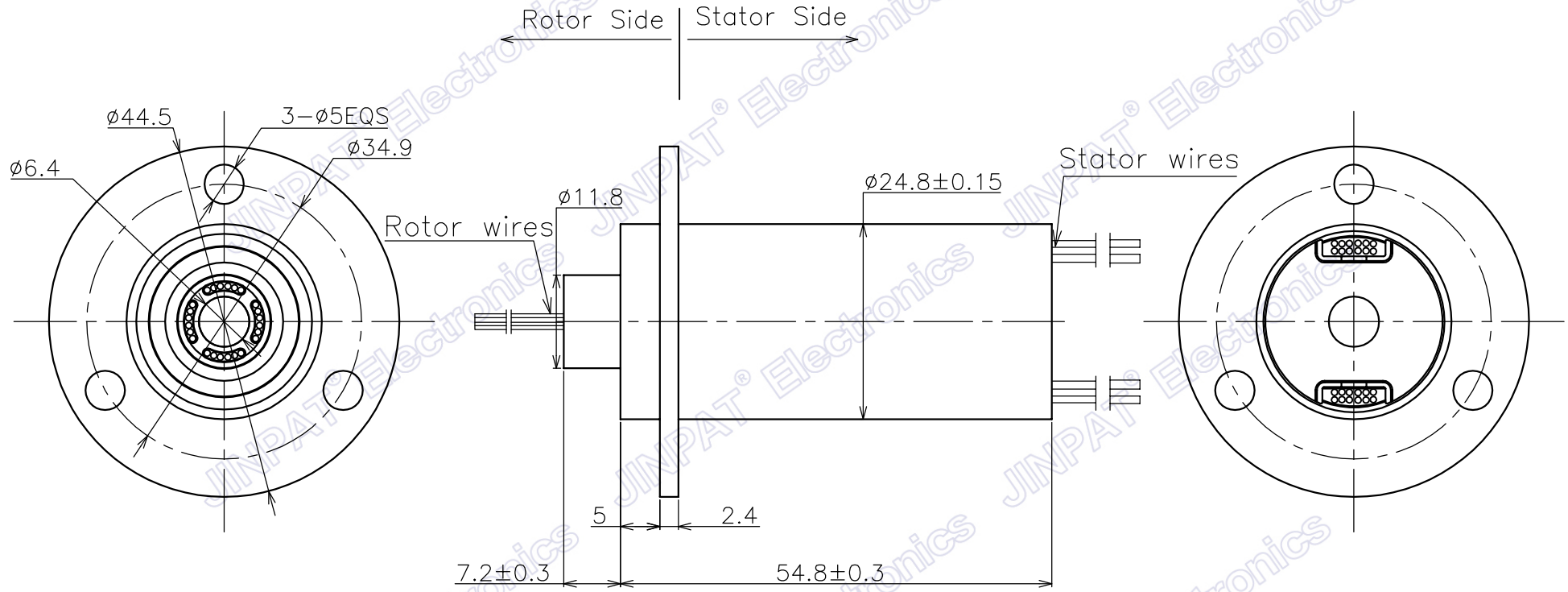
Electronic & Electric		Mechanical		
Circuits	Total	24 CKT	Working Speed	0~1000rpm
	Detail	24x2A	Contact Material	Gold to Gold
Rating Voltage		0~240V AC/DC	Housing Material	Aluminum Alloy
Dielectric Strength		≥500VAC@50Hz	Lead Wire Length	Stator:250±5mm Rotor:250±5mm
Insulation Resistance		≥1000MΩ@500VDC	Electrical Noise	≤35mΩ
Environment		Remarks		
Working Temperature		-20°C~+60°C	Application	/
Working Humidity		≤60%RH	life expectancy	Typ.50 million revolutions(at room temperature) depends on installation position
IP		IP40		


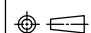

JINPAT
www.slipring.cn

MODEL		LPC-24YS				
Customer code			TITLE	Wiring Diagram		
	UNIT	mm	TOL UNLESS SPECIFIED	DESIGN	ZYH	DATE
SCALE	1:1	LINEAR 0-18 ±0.1 >18-80 ±0.15 >80-250 ±0.2 ANGLE x° ±0.5°	CHECKED	LML	DATE	2022.04.02
PROJ.			REV.	AO	PAGE	2/2

MARK	CONTENT OF AMENDMENT	DATE	DRAW

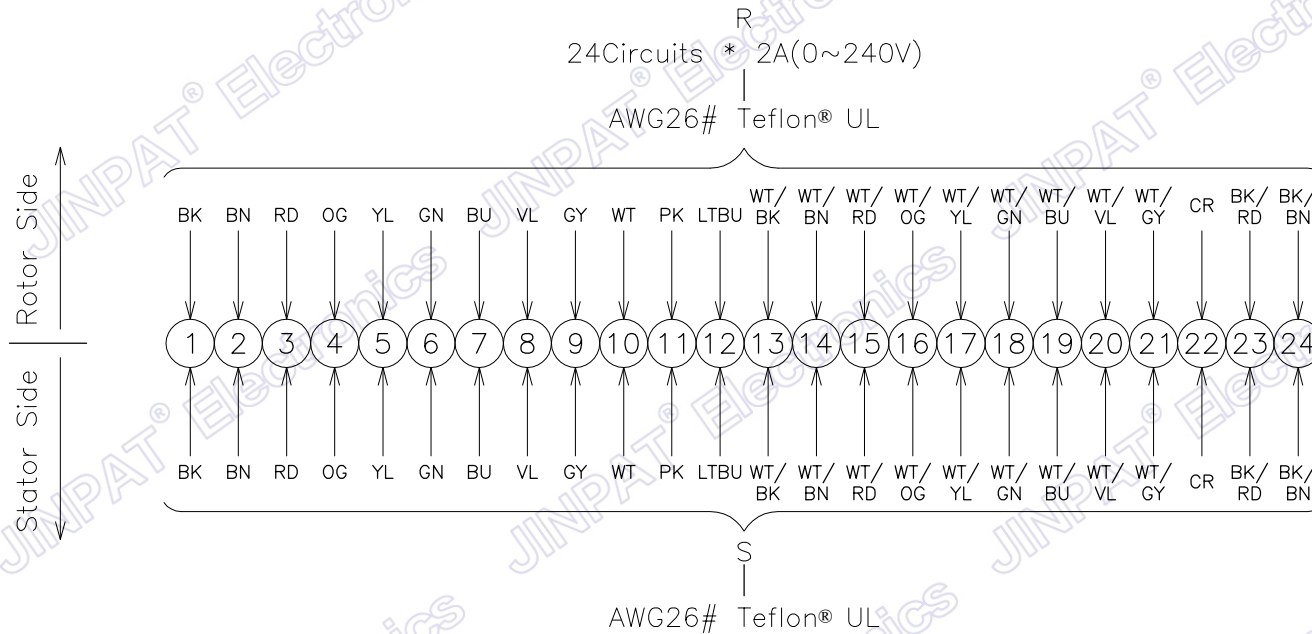
This document is the property of JINPAT Electronics Co., Ltd (ShenZhen) (Hereafter "JINPAT"). It is lent and is to be returned upon request. The contents of this document are confidential and constitute trade secrets propriety to JINPAT. Its contents document nor its contents shall be disclosed to any unauthorized person copied or published without JINPAT prior written consent. COPY RIGHT © 2022 JINPAT ELECTRONICS Co., Ltd (ShenZhen).



 JINPAT www.slipring.cn	MODEL	LPC-24YT						
	Customer code				TITLE	Outline Drawing		
	UNIT	mm	TOL UNLESS SPECIFIED LINEAR 0--18 ±0.1 >18--80 ±0.15 >80--250 ±0.2 ANGLE ° ±0.5°	DESIGN	ZYH	DATE	2022.04.02	
	SCALE	1:1		CHECKED	LML	DATE	2022.04.02	
PROJ.			REV.	AO	PAGE	1/2		

MARK	CONTENT OF AMENDMENT	DATE	DRAW

This document is the property of JINPAT Electronics Co., Ltd (ShenZhen) (Hereafter "JINPAT"). It is lent and is to be returned upon request. The contents of this document are confidential and constitute trade secrets propriety to JINPAT. Its contents document nor its contents shall be disclosed to any unauthorized person copied or published without JINPAT prior written consent.
COPY RIGHT © 2022 JINPAT ELECTRONICS Co., Ltd (ShenZhen).



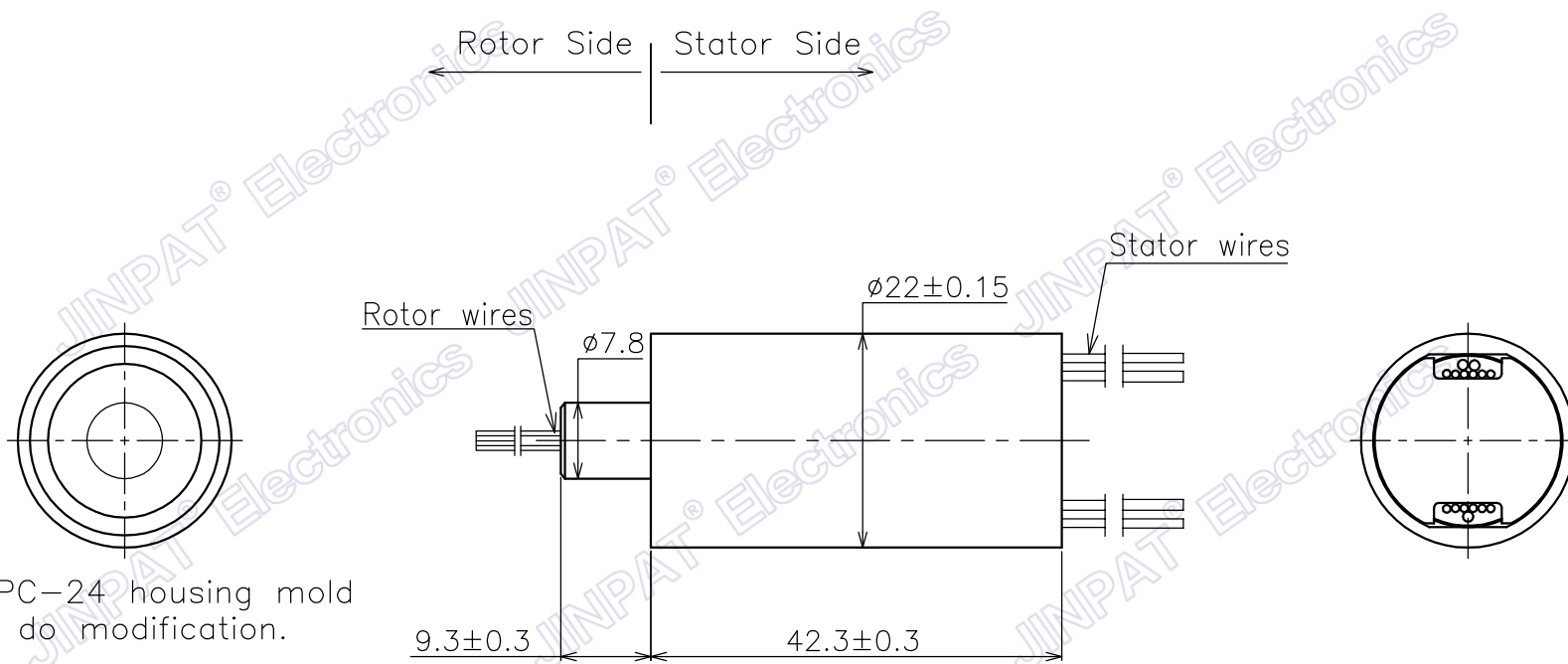
Electronic & Electric		Mechanical		
Circuits	Total	24 CKT	Working Speed	0~300rpm
	Detail	24x2A	Contact Material	Gold to Gold
Rating Voltage		0~240V AC/DC	Housing Material	Engineering plastics
Dielectric Strength		≥500VAC@50Hz	Lead Wire Length	Stator:250±5mm Rotor:250±5mm
Insulation Resistance		≥100MΩ@500VDC	Electrical Noise	≤35mΩ
Environment		Remarks		
Working Temperature	-20°C~+60°C	Application	/	
Working Humidity	≤60%RH	Other	/	
IP	IP40			



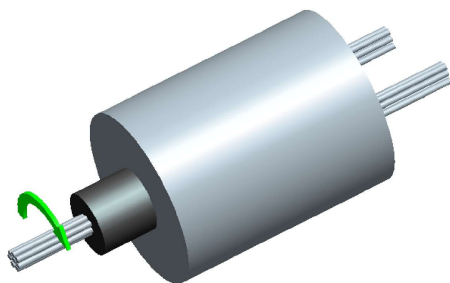
MODEL	LPC-24YT						
Customer code		TITLE	Wiring Diagram				
UNIT	mm	TOL UNLESS SPECIFIED	DESIGN	ZYH	DATE	2022.04.02	
SCALE	1:1	LINEAR 0-18 ±0.1 >18--80 ±0.15 >80--250 ±0.2	CHECKED	LML	DATE	2022.04.02	
PROJ.		ANGLE x° ±0.5°	REV.	AO	PAGE	2/2	


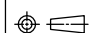
MARK	CONTENT OF AMENDMENT	DATE	DRAW

This document is the property of JINPAT Electronics Co., Ltd (ShenZhen) (Hereafter "JINPAT"). It is lent and is to be returned upon request. The contents of this document are confidential and constitute trade secrets propriety to JINPAT. Its contents document nor its contents shall be disclosed to any unauthorized person copied or published without JINPAT prior written consent.
COPY RIGHT © 2022 JINPAT ELECTRONICS Co., Ltd (ShenZhen).



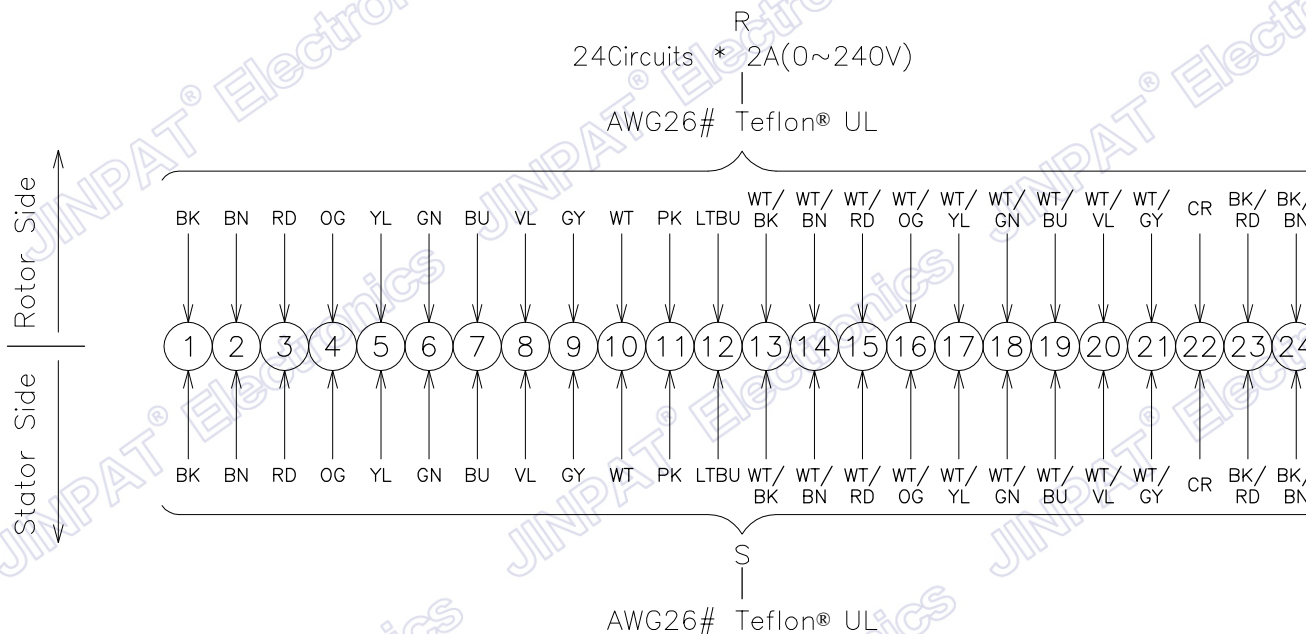
Use LPC-24 housing mold to do modification.



 JINPAT www.slipring.cn	MODEL	LPC-24YU					
	Customer code		TITLE	Outline Drawing			
UNIT	mm	TOL UNLESS SPECIFIED LINEAR 0--18 ±0.1 >18--80 ±0.15 >80--250 ±0.2 ANGLE ° ±0.5°	DESIGN	ZYH	DATE	2022.04.02	
SCALE	1:1		CHECKED	LML	DATE	2022.04.02	
PROJ.			REV.	AO	PAGE	1/2	

MARK	CONTENT OF AMENDMENT	DATE	DRAW

This document is the property of JINPAT Electronics Co., Ltd (ShenZhen) (Hereafter "JINPAT"). It is lent and is to be returned upon request. The contents of this document are confidential and constitute trade secrets proprietary to JINPAT. Its contents document nor its contents shall be disclosed to any unauthorized person copied or published without JINPAT prior written consent.
COPY RIGHT © 2022 JINPAT ELECTRONICS Co., Ltd (ShenZhen).



Electronic & Electric		Mechanical		
Circuits	Total	24 CKT	Working Speed	0~300rpm
	Detail	24x2A	Contact Material	Gold to Gold
Rating Voltage		0~240V AC/DC	Housing Material	Engineering plastics
Dielectric Strength		≥500VAC@50Hz	Lead Wire Length	Stator:250±5mm Rotor:250±5mm
Insulation Resistance		≥1000MΩ@500VDC	Electrical Noise	≤35mΩ
Environment		Remarks		
Working Temperature	-20°C~+60°C	Application	/	
Working Humidity	≤60%RH	Other	/	
IP	IP40			


JINPAT
www.slipring.cn

MODEL		LPC-24YU				
Customer code		TITLE	Wiring Diagram			
	UNIT	mm	DESIGN	ZYH	DATE	2022.04.02
SCALE	1:1	TOL UNLESS SPECIFIED LINEAR 0-18 ±0.1 >18-80 ±0.15 >80-250 ±0.2 ANGLE x° ±0.5°	CHECKED	LML	DATE	2022.04.02
			PROJ.	REV.	AO	PAGE