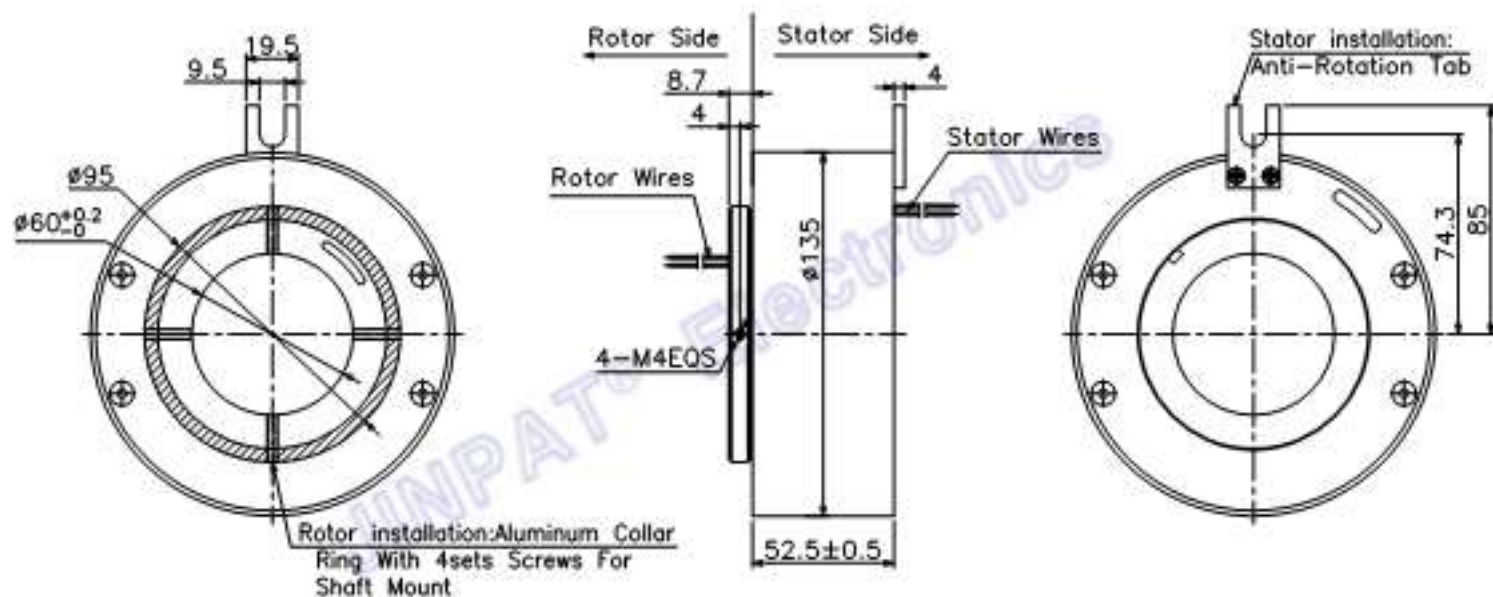


NO.	CONTENT OF AMENDMENT	DATE	BY

This document is the property of JINPAT Electronics Co., Ltd (ShenZhen) (Hereafter "JINPAT"). It is lent and is to be returned upon request. The contents of this document are confidential and constitute trade secrets proprietary to JINPAT. Its contents document nor its contents shall be disclosed to any unauthorized person copied or published without JINPAT prior written consent.  
COPY RIGHT © 2018 JINPAT ELECTRONICS Co., Ltd (ShenZhen).



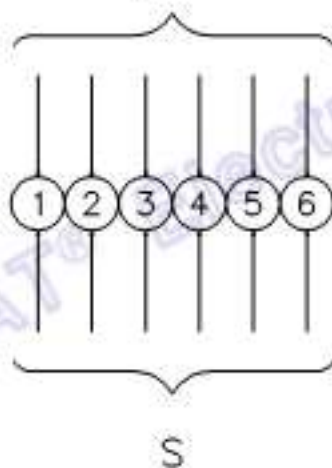
JINPAT  
www.slipring.cn

MODEL	LPT060-0605						
Customer code	/		TITLE	Outline Drawing			
UNIT	mm	PL. UNITS SPECIFIED	DESIGN	HW	DATE	2018.06.05	
SCALE	1:1	UNITS 1-10 00.1 10-100 00.10 100-1000 00.10 1000-10000 00.1	CHECKED	LWL	DATE	2018.06.05	
PROJ.		REV.	AG	PAGE	1/2		

NO.	CONTENT OF AMENDMENT	DATE	BY

This document is the property of JINPAT Electronics Co., Ltd (ShenZhen) (Hereafter "JINPAT"). It is lent and is to be returned upon request. The contents of this document are confidential and constitute trade secrets proprietary to JINPAT. Its contents document nor its contents shall be disclosed to any unauthorized person copied or published without JINPAT prior written consent.  
COPY RIGHT © 2018 JINPAT ELECTRONICS Co., Ltd (ShenZhen).

R  
6Circuits \* 5A(240VAC)  
|  
AWG22#Teflon® UL



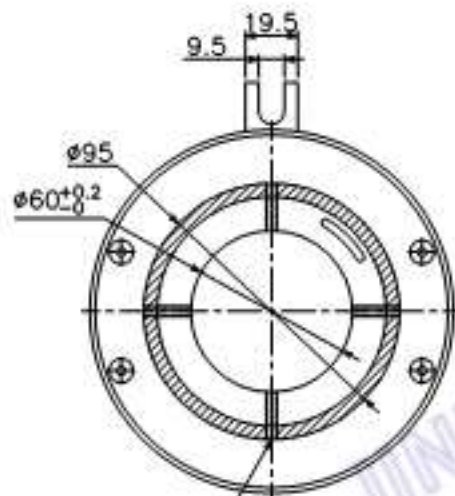
Electronic & Electric		Mechanical		
Circuits	Total	6 CRT	Working Speed	0-300rpm
	Detail	6x6	Inner Diameter	40mm
Rating Voltage	240V AC/DC	Contact Material	Preious Metal	
Dielectric Strength	1000VAC@50Hz	Housing Material	Aluminum Alloy	
Insulation Resistance	>500MΩ@50VDC	Lead Wire Length	Outer:300mm Inner:300mm	
Environment		Remarks		
Working Temperature	-20°C~+80°C	Other	/	
Working Humidity	40%RH			

  
JINPAT  
www.slipring.cn

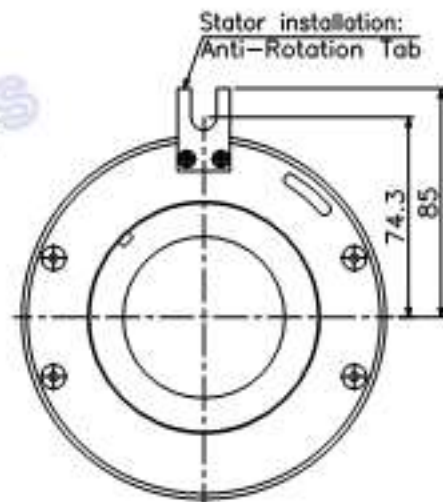
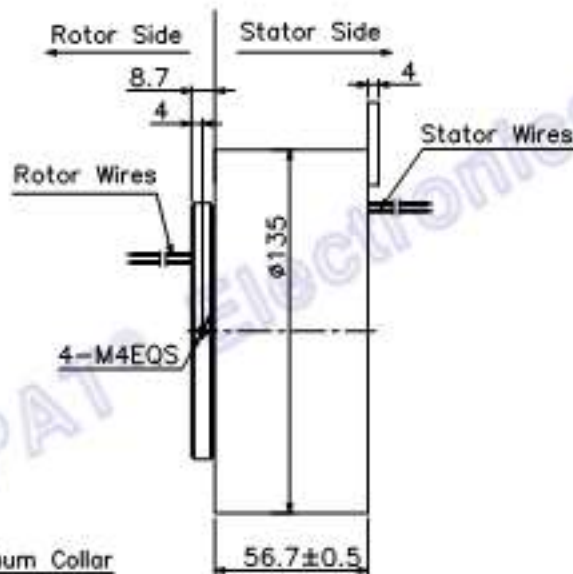
MODEL	LPT060-0605					
Customer code	/		TITLE	Wiring Diagram		
UNIT	mm	ALL UNITS SPECIFIED IN MM	DESIGN	HW	DATE	2018.08.03
SCALE	1:1	5--10 50.1 10--20 50.15 20--30 50.2 30--40 50.2 40--50 50.2	CHECKED	LWL	DATE	2018.08.03
PROJ.		50.2	REV.	AG	PAGE	1/2

NO.	CONTENT OF AMENDMENT	DATE	BY

This document is the property of JINPAT Electronics Co., Ltd (Shenzhen) (Hereafter "JINPAT"). It is lent and is to be returned upon request. The contents of this document are confidential and constitute trade secrets proprietary to JINPAT. Its contents document nor its contents shall be disclosed to any unauthorized person copied or published without JINPAT prior written consent.  
COPY RIGHT © 2018 JINPAT ELECTRONICS Co., Ltd (Shenzhen).



Rotor installation: Aluminum Collar Ring With 4 sets Screws For Shaft Mount



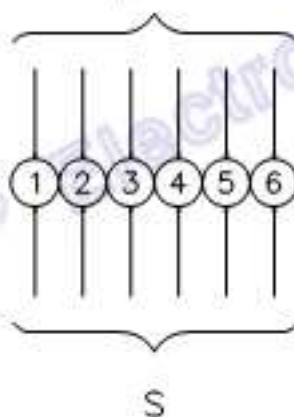
JINPAT  
www.slipring.cn

MODEL	LPT060-0610						
Customer code	/		TITLE	Outline Drawing			
UNIT	mm	NO. WIRE SPECIFIED	DESIGN	HW	DATE	2018.06.03	
SCALE	1:1	1-19 06.1 20-22 02.19 23-25 02.2 26-27 02.7	CHECKED	LWL	DATE	2018.06.03	
PROJ.		NO. 7	REV.	AG	PAGE	1/2	

NO.	CONTENT OF AMENDMENT	DATE	BY

This document is the property of JINPAT Electronics Co., Ltd (ShenZhen) (Hereafter "JINPAT"). It is lent and is to be returned upon request. The contents of this document are confidential and constitute trade secrets proprietary to JINPAT. Its contents document nor its contents shall be disclosed to any unauthorized person copied or published without JINPAT prior written consent.  
COPY RIGHT © 2018 JINPAT ELECTRONICS Co., Ltd (ShenZhen).

R  
6Circuits \* 10A(240VAC)  
|  
AWG17#Teflon® UL



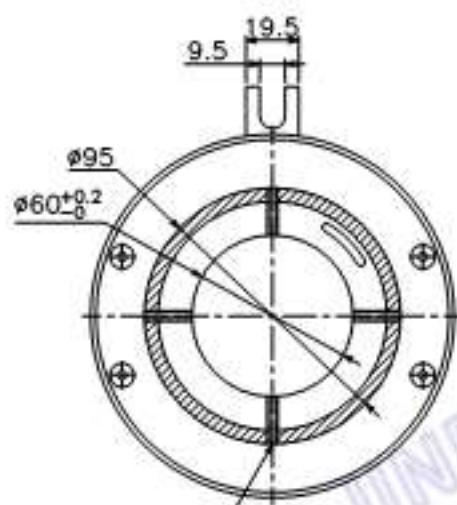
Electronic & Electric		Mechanical		
Circuits	Total	6 CIR	Working Speed	0-300rpm
	Detail	6x10A	Inner Diameter	400mm
Rating Voltage	240V AC/DC	Contact Material	Precious Metal	
Dielectric Strength	1000VAC@50Hz	Housing Material	Aluminum Alloy	
Insulation Resistance	>300MΩ@50VDC	Lead Wire Length	Outer:300mm Inner:300mm	
Environment		Remarks		
Working Temperature	-20°C~+80°C	Other	/	
Working Humidity	40%RH			

  
JINPAT  
www.slipring.cn

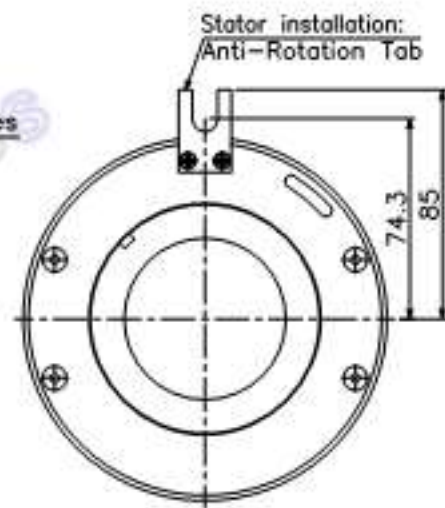
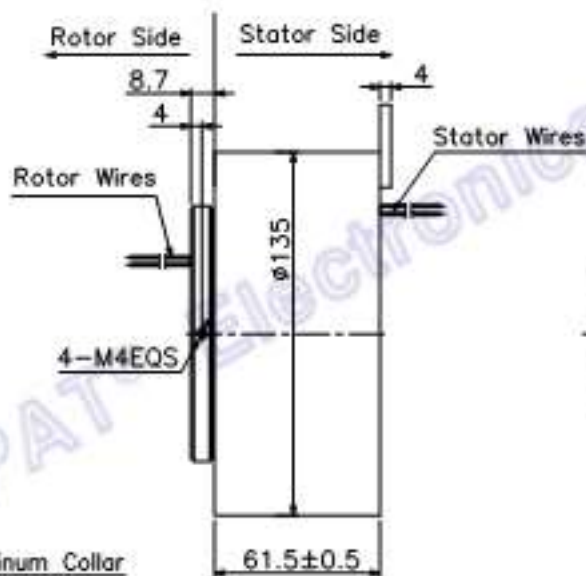
MODEL	LPT060-0610					
Customer code	/		TITLE	Wiring Diagram		
UNIT	mm	ALL UNITS SPECIFIED IN MM	DESIGN	HW	DATE	2018.08.03
SCALE	1:1	1-18 00.1 1-19 00.2 1-20 00.2 1-21 00.2	CHECKED	LWL	DATE	2018.08.03
PROJ.		00.2	REV.	AG	PAGE	1/2

NO.	CONTENT OF AMENDMENT	DATE	BY

This document is the property of JINPAT Electronics Co., Ltd (ShenZhen) (Hereafter "JINPAT"). It is lent and is to be returned upon request. The contents of this document are confidential and constitute trade secrets proprietary to JINPAT. Its contents document nor its contents shall be disclosed to any unauthorized person copied or published without JINPAT prior written consent.  
COPY RIGHT © 2018 JINPAT ELECTRONICS Co., Ltd (ShenZhen).



Rotor installation: Aluminum Collar Ring With 4 sets Screws For Shaft Mount



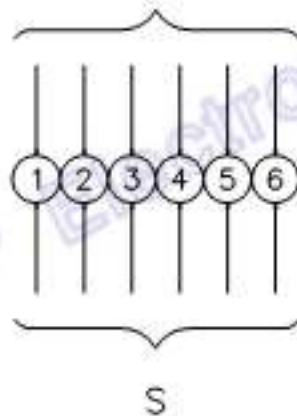
JINPAT  
www.slipring.cn

MODEL	LPT060-0615						
Customer code	/		TITLE	Outline Drawing			
UNIT	mm	UNLESS SPECIFIED	DESIGN	HWM	DATE	2018.06.03	
SCALE	1:1	UNLESS SPECIFIED	CHECKED	LML	DATE	2018.06.03	
PROJ.		UNLESS SPECIFIED	REV.	AG	PAGE	1/2	

NO.	CONTENT OF AMENDMENT	DATE	BY

This document is the property of JINPAT Electronics Co., Ltd (Shenzhen) (Hereafter "JINPAT"). It is lent and is to be returned upon request. The contents of this document are confidential and constitute trade secrets proprietary to JINPAT. Its contents document nor its contents shall be disclosed to any unauthorized person copied or published without JINPAT prior written consent.  
COPY RIGHT © 2018 JINPAT ELECTRONICS Co., Ltd (Shenzhen).

R  
6Circuits \* 15A(240VAC)  
|  
AWG14#Teflon® UL



JINPAT® Electronics

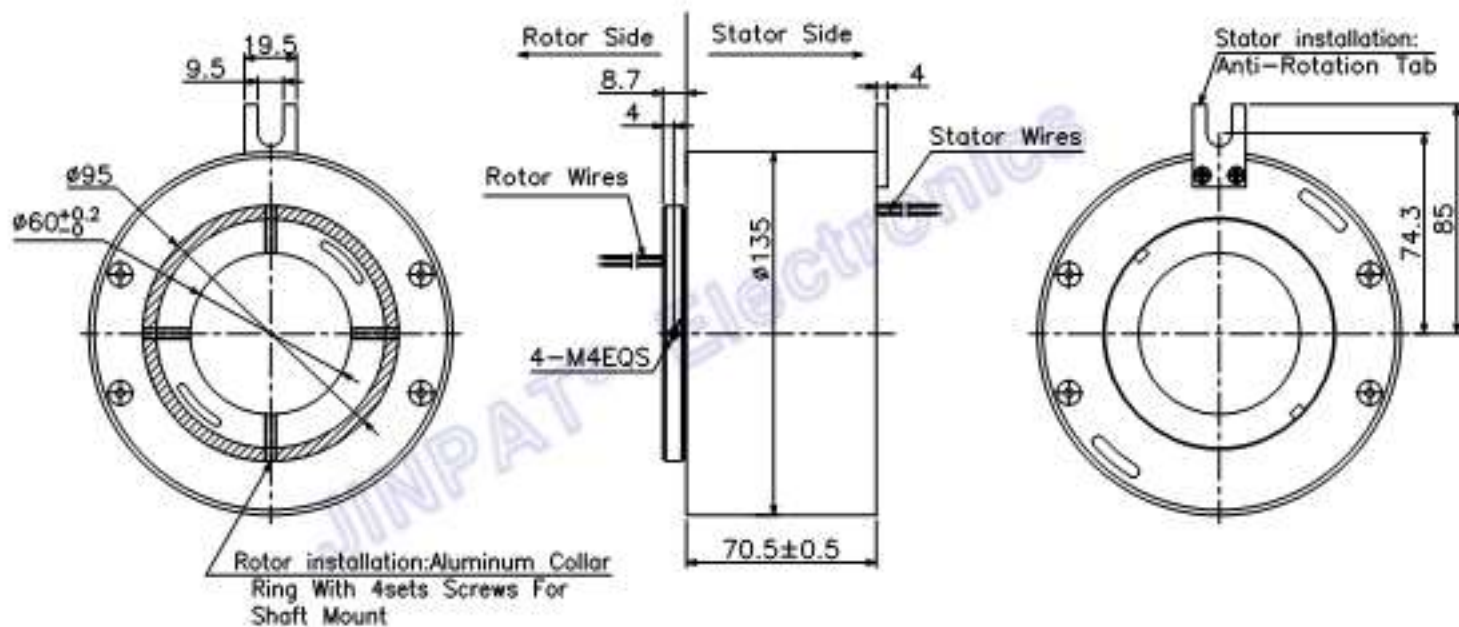
Electronic & Electric		Mechanical		
Circuits	Total	6 CRT	Working Speed	0-300rpm
	Detail	6/15A	Inner Diameter	400mm
Rating Voltage	240V AC/DC	Contact Material	Preious Metal	
Dielectric Strength	1000VAC@50Hz	Housing Material	Aluminum Alloy	
Insulation Resistance	>500MΩ@50VDC	Lead Wire Length	Outer:300mm Inner:300mm	
Environment		Remarks		
Working Temperature	-20°C~+80°C	Other	/	
Working Humidity	40%RH			



MODEL	LPT060-0615					
Customer code	/		TITLE	Wiring Diagram		
UNIT	mm	ALL UNITS SPECIFIED IN MM	DESIGN	HW	DATE	2018.08.03
SCALE	1:1	5-18 55.1 18-25 62.1 25-30 65.2 30-35 68.3	CHECKED	LWL	DATE	2018.08.03
PROJ.	◆	60.7	REV.	AG	PAGE	1/2

NO.	CONTENT OF AMENDMENT	DATE	BY

This document is the property of JINPAT Electronics Co., Ltd (Shenzhen) (Hereafter "JINPAT"). It is lent and is to be returned upon request. The contents of this document are confidential and constitute trade secrets proprietary to JINPAT. Its contents document nor its contents shall be disclosed to any unauthorized person copied or published without JINPAT prior written consent.  
COPY RIGHT © 2018 JINPAT ELECTRONICS Co., Ltd (Shenzhen).



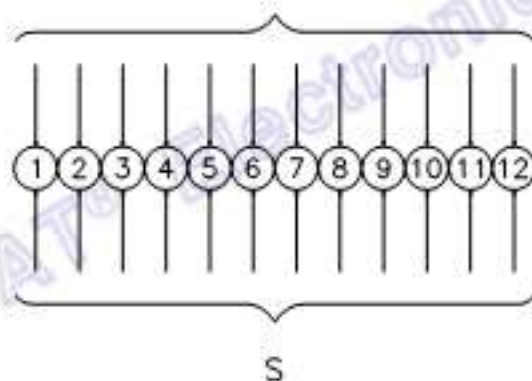
JINPAT  
www.slipring.cn

MODEL	LPT060-1205						
Customer code	/	TITLE	Outline Drawing				
UNIT	mm	DESIGN	HW	DATE	2018.08.03		
SCALE	1:1	CHECKED	LWL	DATE	2018.08.03		
PROJ.	◆	REV.	AG	PAGE	1/2		

NO.	CONTENT OF AMENDMENT	DATE	BY

This document is the property of JINPAT Electronics Co., Ltd (ShenZhen) (Hereafter "JINPAT"). It is lent and is to be returned upon request. The contents of this document are confidential and constitute trade secrets proprietary to JINPAT. Its contents document nor its contents shall be disclosed to any unauthorized person copied or published without JINPAT prior written consent.  
COPY RIGHT © 2018 JINPAT ELECTRONICS Co., Ltd (ShenZhen).

R  
12Circuits \* 5A(240VAC)  
|  
AWG22#Teflon® UL



Electronic & Electric			Mechanical	
Circuits	Total	12 CIR	Working Speed	0-300rpm
	Detail	12/A	Inner Diameter	40mm
Rating Voltage	240V AC/DC		Contact Material	Precious Metal
Dielectric Strength	1000VAC/50Hz		Housing Material	Aluminum Alloy
Insulation Resistance	≥300MΩ/50VDC		Lead Wire Length	Outer:300mm Inner:300mm
Environment			Remarks	
Working Temperature	-20°C~+80°C		Other	/
Working Humidity	CASRH			

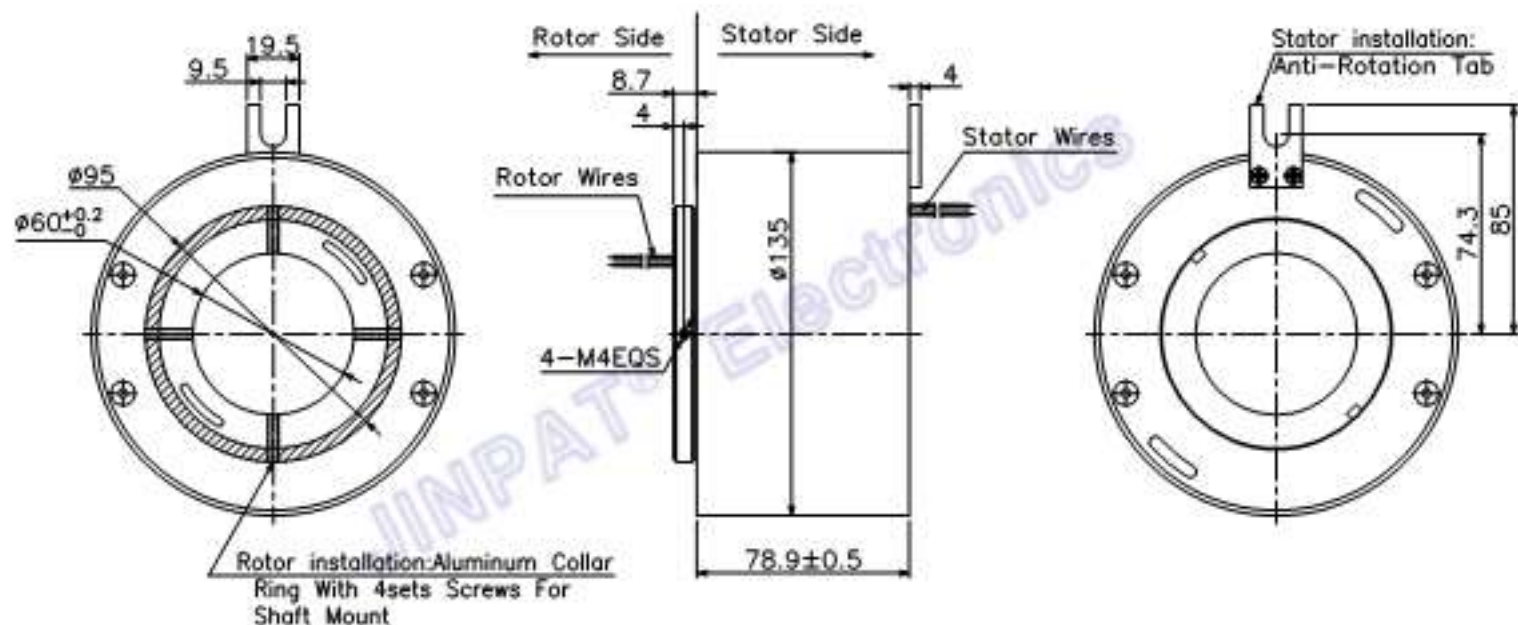
  
JINPAT  
www.slipring.cn

MODEL	LPT060-1205					
Customer code	/		TITLE	Wiring Diagram		
UNIT	mm	ALL UNITS SPECIFIED IN THIS DRAWING ARE IN MILLIMETERS UNLESS OTHERWISE SPECIFIED	DESIGN	HW	DATE	2018.08.03
SCALE	1:1	1:2 1:5 1:10 1:20 1:50 1:100 1:200 1:500 1:1000	CHECKED	LWL	DATE	2018.08.03
PROJ.		REV.	AG	PAGE	1/2	



NO.	CONTENT OF AMENDMENT	DATE	BY

This document is the property of JINPAT Electronics Co., Ltd (ShenZhen) (Hereafter "JINPAT"). It is lent and is to be returned upon request. The contents of this document are confidential and constitute trade secrets proprietary to JINPAT. Its contents document nor its contents shall be disclosed to any unauthorized person copied or published without JINPAT prior written consent.  
COPY RIGHT © 2018 JINPAT ELECTRONICS Co., Ltd (ShenZhen).



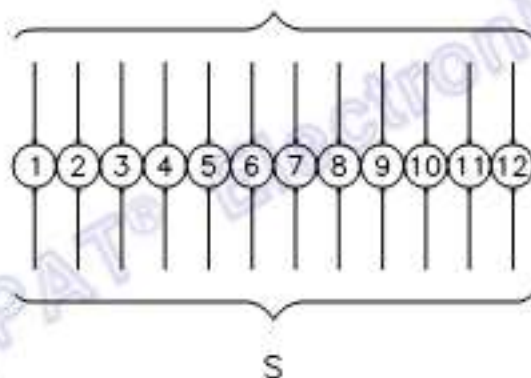
JINPAT  
www.slipring.cn

MODEL	LPT060-1210						
Customer code	/		TITLE	Outline Drawing			
UNIT	mm	NO. SHEETS SPECIFIED	DESIGN	HW	DATE	2018.08.03	
SCALE	1:1	DESIGN	CHECKED	LWL	DATE	2018.08.03	
PROJ.	◆	NO. 1	REV.	AG	PAGE	1/2	

REV	CONTENT OF AMENDMENT	DATE	BY

This document is the property of JINPAT Electronics Co., Ltd (Shenzhen) (Hereafter "JINPAT"). It is lent and is to be returned upon request. The contents of this document are confidential and constitute trade secrets proprietary to JINPAT. Its contents document nor its contents shall be disclosed to any unauthorized person copied or published without JINPAT prior written consent.  
COPY RIGHT © 2018 JINPAT ELECTRONICS Co., Ltd (Shenzhen).

R  
12Circuits \* 10A(240VAC)  
|  
AWG17#Teflon\* UL



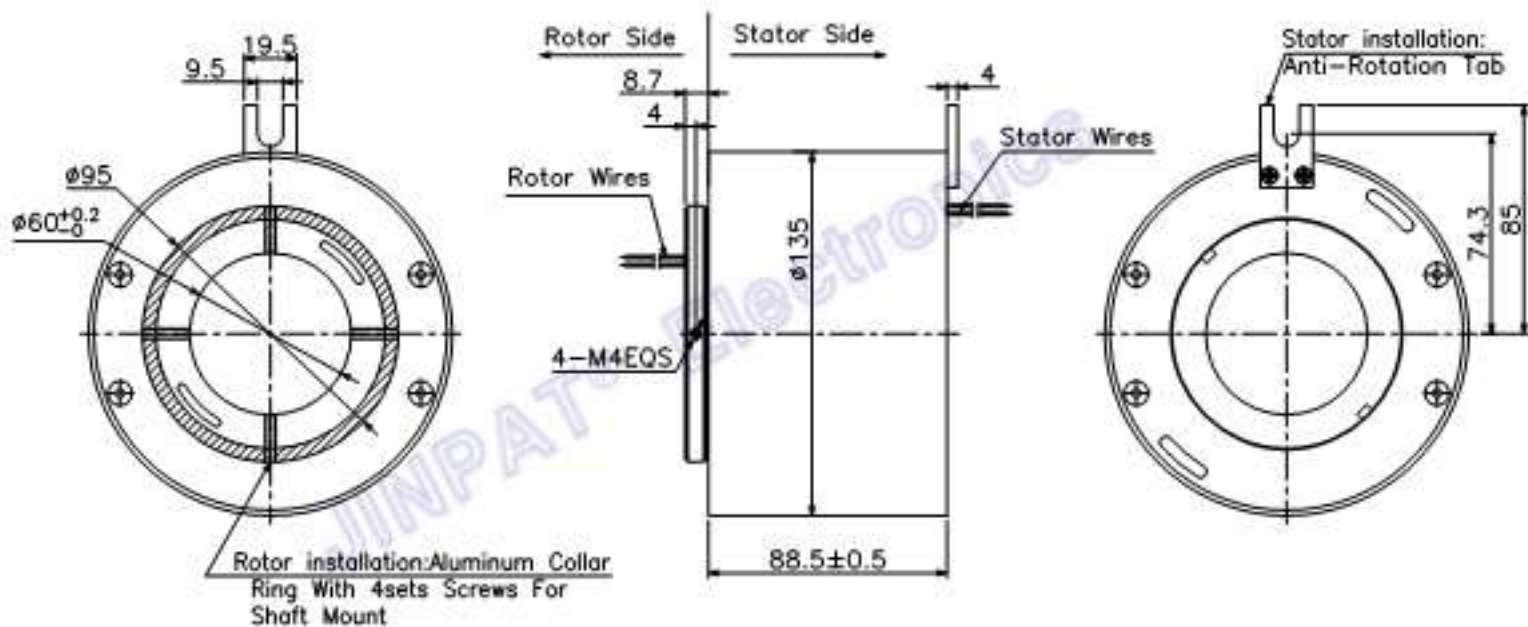
Electronic & Electric			Mechanical	
Circuits	Total	12 CIR	Working Speed	0-300rpm
	Detail	12x10A	Inner Diameter	40mm
Rating Voltage	240V AC/DC		Contact Material	Phospor Alloy
Dielectric Strength	1000VAC@50Hz		Housing Material	Aluminum Alloy
Insulation Resistance	>300MΩ@50VDC		Lead Wire Length	Outer:300mm Inner:300mm
Environment			Remarks	
Working Temperature	-20°C~+80°C		Other	/
Working Humidity	40%RH			

  
JINPAT  
www.slipring.cn

MODEL	LPT060-1210					
Customer code	/		TITLE	Wiring Diagram		
UNIT	mm	ALL UNITS SPECIFIED	DESIGN	HW	DATE	2018.08.03
SCALE	1:1	5-18 55.1 18-25 62.1 25-30 65.2 30-35 68.3	CHECKED	LWL	DATE	2018.08.03
PROJ.		60.7	REV.	AG	PAGE	1/2

NO.	CONTENT OF AMENDMENT	DATE	BY

This document is the property of JINPAT Electronics Co., Ltd (ShenZhen) (Hereafter "JINPAT"). It is lent and is to be returned upon request. The contents of this document are confidential and constitute trade secrets proprietary to JINPAT. Its contents document nor its contents shall be disclosed to any unauthorized person copied or published without JINPAT prior written consent.  
COPY RIGHT © 2018 JINPAT ELECTRONICS Co., Ltd (ShenZhen).

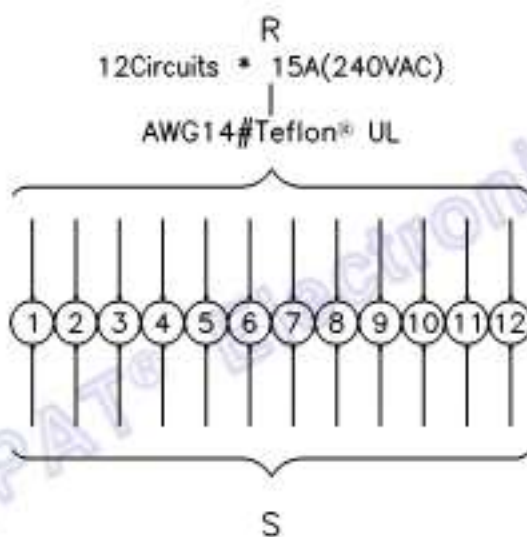


JINPAT  
www.slpring.cn

MODEL	LPT060-1215						
Customer code	/	TITLE	Outline Drawing				
UNIT	mm	DESIGN	HW	DATE	2018.06.03		
SCALE	1:1	CHECKED	LWL	DATE	2018.06.03		
PROJ.	◆	REV.	AG	PAGE	1/2		


REV	CONTENT OF AMENDMENT	DATE	BY

This document is the property of JINPAT Electronics Co., Ltd (ShenZhen) (Hereafter "JINPAT"). It is lent and is to be returned upon request. The contents of this document are confidential and constitute trade secrets proprietary to JINPAT. Its contents document nor its contents shall be disclosed to any unauthorized person copied or published without JINPAT prior written consent.  
COPY RIGHT © 2018 JINPAT ELECTRONICS Co., Ltd (ShenZhen).



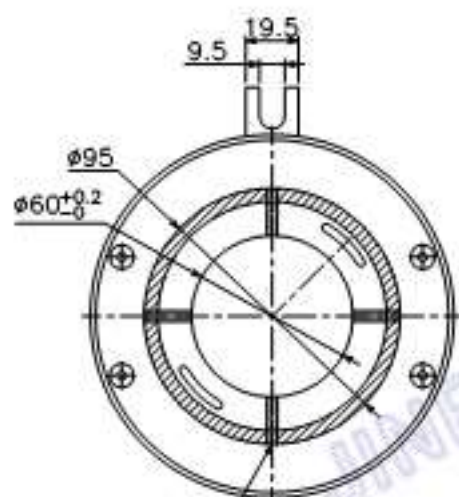
Electronic & Electric			Mechanical	
Circuits	Total	12 CIR	Working Speed	0-300rpm
	Detail	12x15A	Inner Diameter	40mm
Rating Voltage	240V AC/DC		Contact Material	Preious Metal
Dielectric Strength	1000VAC@50Hz		Housing Material	Aluminum Alloy
Insulation Resistance	≥300MΩ@50VDC		Lead Wire Length	Outer:300mm Inner:300mm
Environment			Remarks	
Working Temperature	-20°C~+80°C		Other	/
Working Humidity	40%RH			

  
**JINPAT**  
 www.slipring.cn

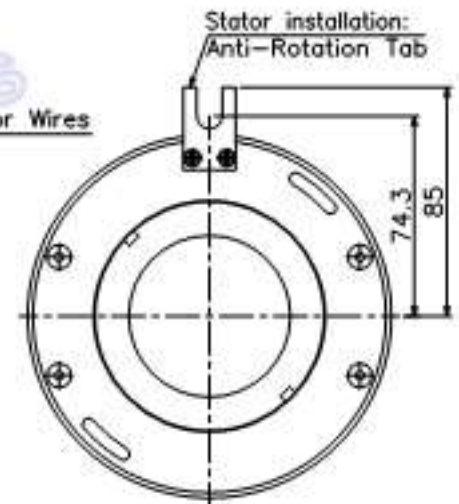
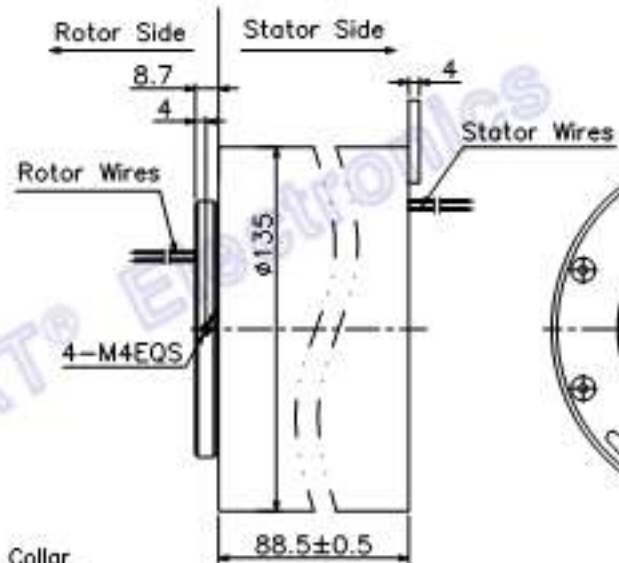
MODEL	LPT060-1215					
Customer code	/		TITLE	Wiring Diagram		
LWT	mm	PL UNLESS SPECIFIED	DESIGN	HW	DATE	2018.08.03
SCALE	1:1	0-10 05.1 10-20 02.12 20-30 02.2 30-40 02.2 40-50 02.2	CHECKED	LWL	DATE	2018.08.03
PROJ		02.2	REV.	AG	PAGE	1/2

NO.	CONTENT OF AMENDMENT	DATE	BY

This document is the property of JINPAT Electronics Co., Ltd (ShenZhen) (Hereafter "JINPAT"). It is lent and is to be returned upon request. The contents of this document are confidential and constitute trade secrets proprietary to JINPAT. Its contents document nor its contents shall be disclosed to any unauthorized person copied or published without JINPAT prior written consent.  
COPY RIGHT © 2018 JINPAT ELECTRONICS Co., Ltd (ShenZhen).



Rotor installation: Aluminum Collar Ring With 4sets Screws For Shaft Mount



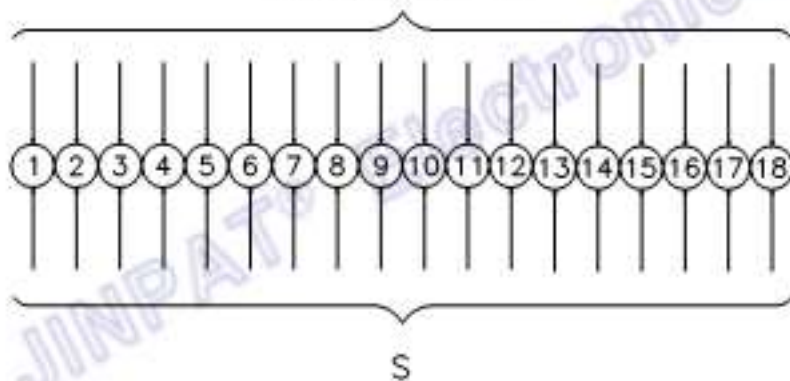
JINPAT  
www.slipring.cn

MODEL	LPT060-1805						
Customer code	/		TITLE	Outline Drawing			
UNIT	mm	PER UNITS SPECIFIED	DESIGN	HW	DATE	2018.06.05	
SCALE	1:1	UNLESS SPECIFIED	CHECKED	LWL	DATE	2018.06.05	
PROJ.		UNLESS SPECIFIED	REV.	AG	PAGE	1/2	

NO.	CONTENT OF AMENDMENT	DATE	BY


This document is the property of JINPAT Electronics Co., Ltd (Shenzhen) (Hereafter "JINPAT"). It is lent and is to be returned upon request. The contents of this document are confidential and constitute trade secrets proprietary to JINPAT. Its contents document nor its contents shall be disclosed to any unauthorized person copied or published without JINPAT prior written consent.  
COPY RIGHT © 2018 JINPAT ELECTRONICS Co., Ltd (Shenzhen).

R  
18Circuits \* 5A(240VAC)  
I  
AWG22#Teflon® UL



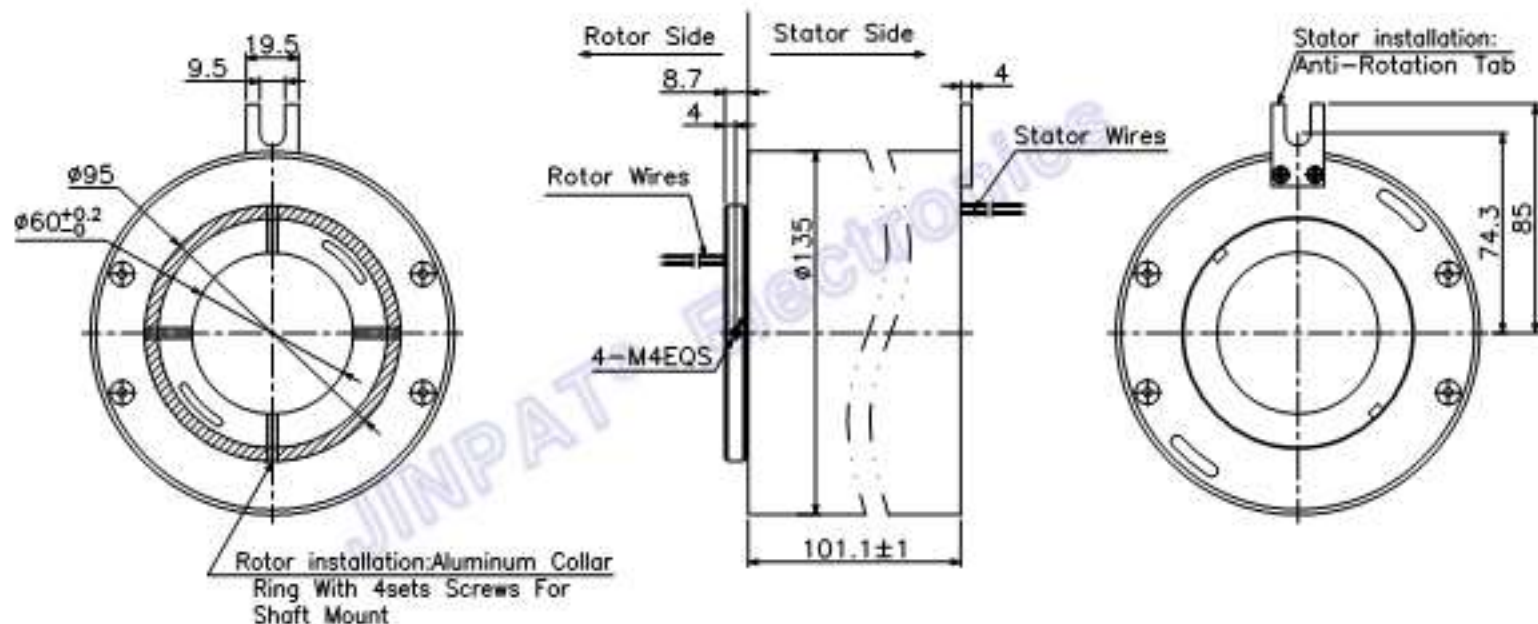
Electronic & Electric		Mechanical		
Circuits	Total	18 CIR	Working Speed	0-300rpm
	Detail	18x3A	Inner Diameter	40mm
Rating Voltage	240V AC/DC	Contact Material	Platinum Metal	
Dielectric Strength	1000VAC@50Hz	Housing Material	Aluminum Alloy	
Insulation Resistance	>300MΩ@50VDC	Lead Wire Length	Outer:300mm Inner:300mm	
Environment		Remarks		
Working Temperature	-20°C~+80°C	Other	/	
Working Humidity	40%RH			

  
JINPAT  
www.slipring.cn

MODEL	LPT060-1805					
Customer code	/		TITLE	Wiring Diagram		
LWT	mm	PL UNITS SPECIFIED	DESIGN	HW	DATE	2018.08.03
SCALE	1:1	UNITS mm INCH mm INCH	CHECKED	LWL	DATE	2018.08.03
PROJ.		REV.	AG	PAGE	1/2	

NO.	CONTENT OF AMENDMENT	DATE	BY

This document is the property of JINPAT Electronics Co., Ltd (ShenZhen) (Hereafter "JINPAT"). It is lent and is to be returned upon request. The contents of this document are confidential and constitute trade secrets proprietary to JINPAT. Its contents document nor its contents shall be disclosed to any unauthorized person copied or published without JINPAT prior written consent.  
COPY RIGHT © 2018 JINPAT ELECTRONICS Co., Ltd (ShenZhen).



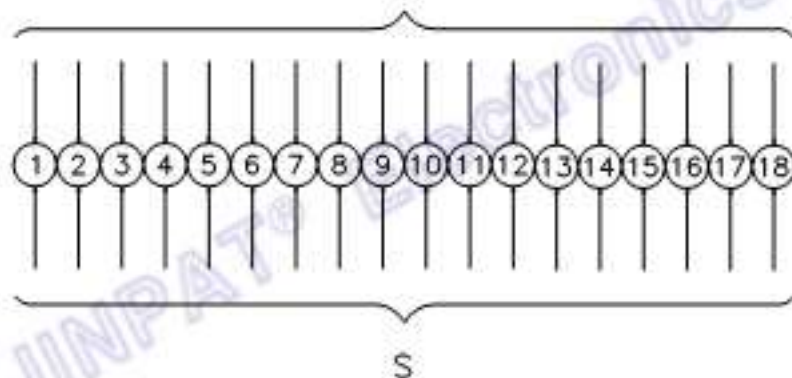
JINPAT  
www.slipring.cn

MODEL	LPT060-1810						
Customer code	/	TITLE	Outline Drawing				
UNIT	mm	DESIGN	HW	DATE	2018.06.03		
SCALE	1:1	CHECKED	LWL	DATE	2018.06.03		
PROJ.		REV.	AG	PAGE	1/2		

NO.	CONTENT OF AMENDMENT	DATE	BY


This document is the property of JINPAT Electronics Co., Ltd (Shenzhen) (Hereafter "JINPAT"). It is lent and is to be returned upon request. The contents of this document are confidential and constitute trade secrets proprietary to JINPAT. Its contents document nor its contents shall be disclosed to any unauthorized person copied or published without JINPAT prior written consent.  
COPY RIGHT © 2018 JINPAT ELECTRONICS Co., Ltd (Shenzhen).

R  
18Circuits \* 10A(240VAC)  
|  
AWG17#Teflon® UL



Electronic & Electric		Mechanical		
Circuits	Total	18 CIR	Working Speed	0-300rpm
	Detail	18x10A	Inner Diameter	40mm
Rating Voltage	240V AC/DC	Contact Material	Phospor Metal	
Dielectric Strength	1000VAC@50Hz	Housing Material	Aluminum Alloy	
Insulation Resistance	>300MΩ@50VDC	Lead Wire Length	Outer:300mm Inner:300mm	
Environment		Remarks		
Working Temperature	-20°C~+80°C	Other	/	
Working Humidity	40%RH			

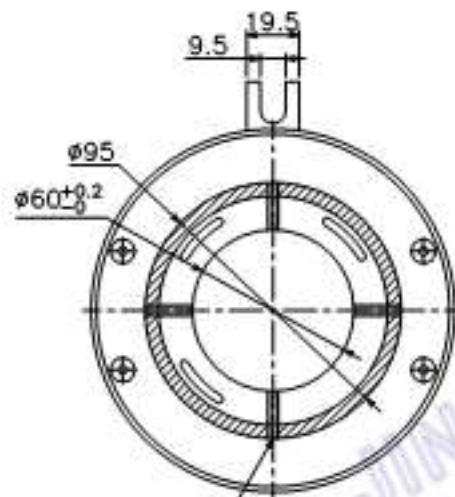
  
JINPAT  
www.slipring.cn

MODEL	LPT060-1810						
Customer code	/		TITLE	Wiring Diagram			
UNIT	mm	ALL UNITS SPECIFIED	DESIGN	HWM	DATE	2018.08.03	
SCALE	1:1	UNLESS SPECIFIED	CHECKED	LWL	DATE	2018.08.03	
PROJ.		UNLESS SPECIFIED	REV.	AG	PAGE	1/2	

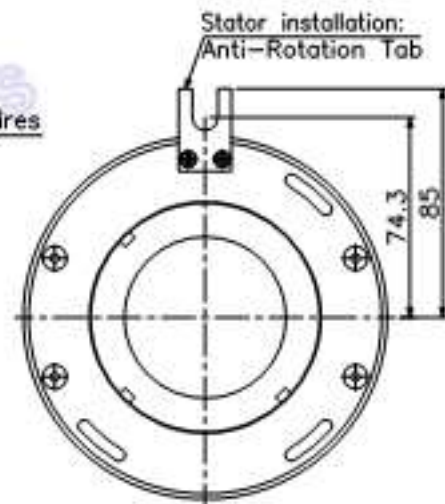
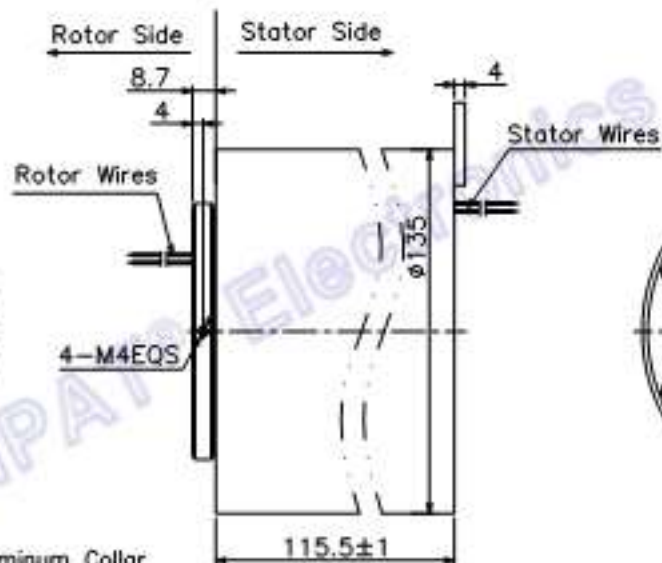


NO.	CONTENT OF AMENDMENT	DATE	BY

This document is the property of JINPAT Electronics Co., Ltd (Shenzhen) (Hereafter "JINPAT"). It is lent and is to be returned upon request. The contents of this document are confidential and constitute trade secrets proprietary to JINPAT. Its contents document nor its contents shall be disclosed to any unauthorized person copied or published without JINPAT prior written consent.  
COPY RIGHT © 2018 JINPAT ELECTRONICS Co., Ltd (Shenzhen).



Rotor installation: Aluminum Collar Ring With 4sets Screws For Shaft Mount



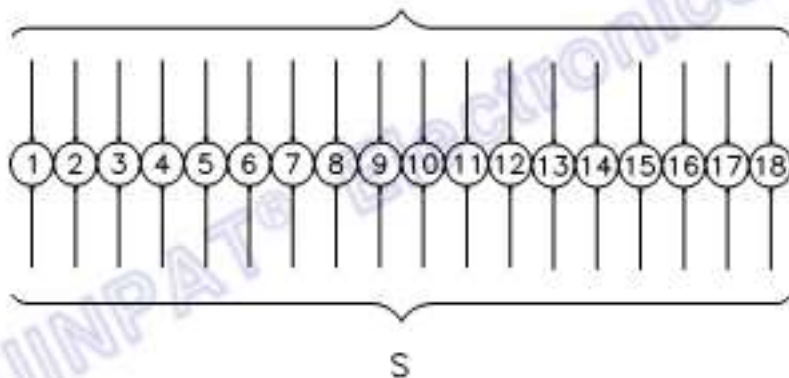
JINPAT  
www.slipring.cn

MODEL	LPT060-1815						
Customer code	/		TITLE	Outline Drawing			
UNIT	mm	SLIPRING SPECIFIED	DESIGN	HWM	DATE	2018.08.03	
SCALE	1:1	UNLESS SPECIFIED	CHECKED	LML	DATE	2018.08.03	
PROJ.		UNLESS SPECIFIED	REV.	AG	PAGE	1/2	

REV	CONTENT OF AMENDMENT	DATE	BY


This document is the property of JINPAT Electronics Co., Ltd (ShenZhen) (Hereafter "JINPAT"). It is lent and is to be returned upon request. The contents of this document are confidential and constitute trade secrets proprietary to JINPAT. Its contents document nor its contents shall be disclosed to any unauthorized person copied or published without JINPAT prior written consent.  
COPY RIGHT © 2018 JINPAT ELECTRONICS Co., Ltd (ShenZhen).

R  
18Circuits \* 15A(240VAC)  
|  
AWG14#Teflon® UL



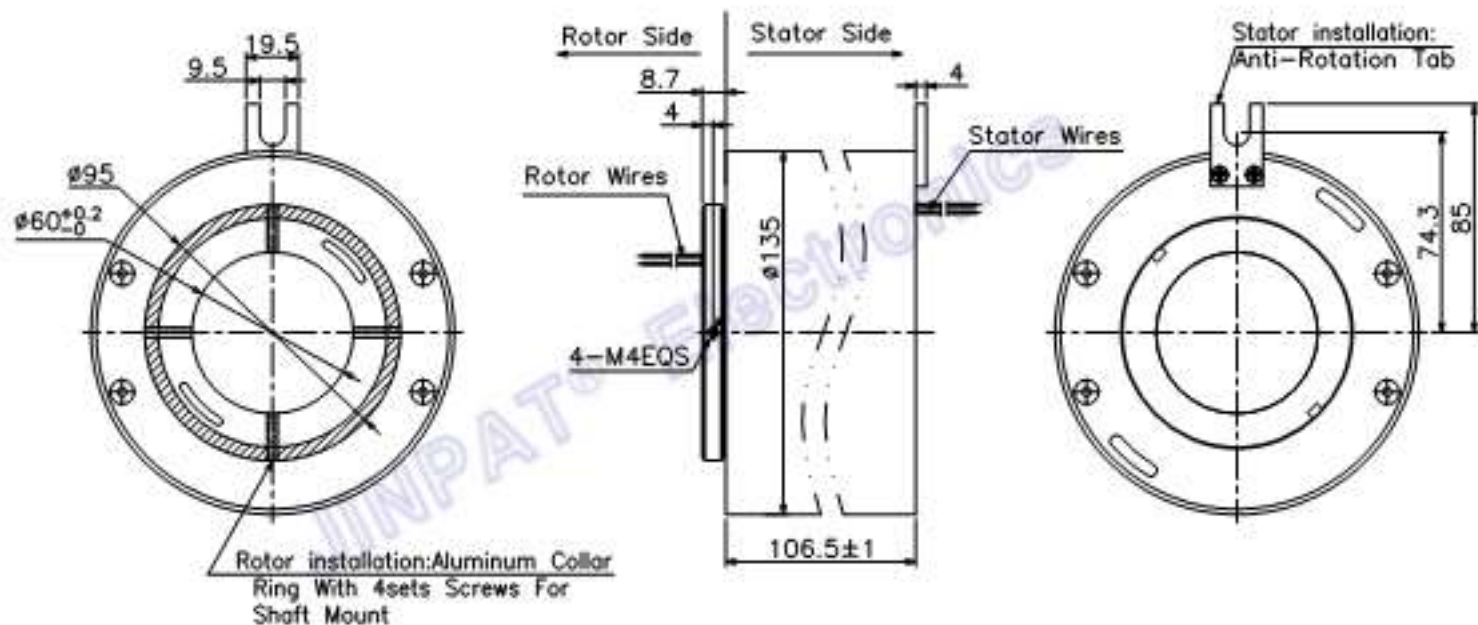
Electronic & Electric		Mechanical		
Circuits	Total	18 CIR	Working Speed	0-300rpm
	Detail	18x15A	Inner Diameter	400mm
Rating Voltage	240V AC/DC	Contact Material	Platinum Metal	
Dielectric Strength	1000VAC@50Hz	Housing Material	Aluminum Alloy	
Insulation Resistance	>300MΩ@50VDC	Lead Wire Length	Outer:300mm Inner:300mm	
Environment		Remarks		
Working Temperature	-20°C~+80°C	Other	/	
Working Humidity	40%RH			

  
JINPAT  
www.slipring.cn

MODEL	LPT060-1815					
Customer code	/		TITLE	Wiring Diagram		
LWT	mm	PL UNLESS SPECIFIED	DESIGN	HW	DATE	2018.08.03
SCALE	1:1	5-18 45.1 18-20 45.1 20-22 45.2 22-24 45.2 24-26 45.2 26-28 45.2 28-30 45.2	CHECKED	LWL	DATE	2018.08.03
PROJ		45.2	REV.	AG	PAGE	1/2

NO.	CONTENT OF AMENDMENT	DATE	BY

This document is the property of JINPAT Electronics Co., Ltd (ShenZhen) (Hereafter "JINPAT"). It is lent and is to be returned upon request. The contents of this document are confidential and constitute trade secrets proprietary to JINPAT. Its contents document nor its contents shall be disclosed to any unauthorized person copied or published without JINPAT prior written consent.  
COPY RIGHT © 2018 JINPAT ELECTRONICS Co., Ltd (ShenZhen).



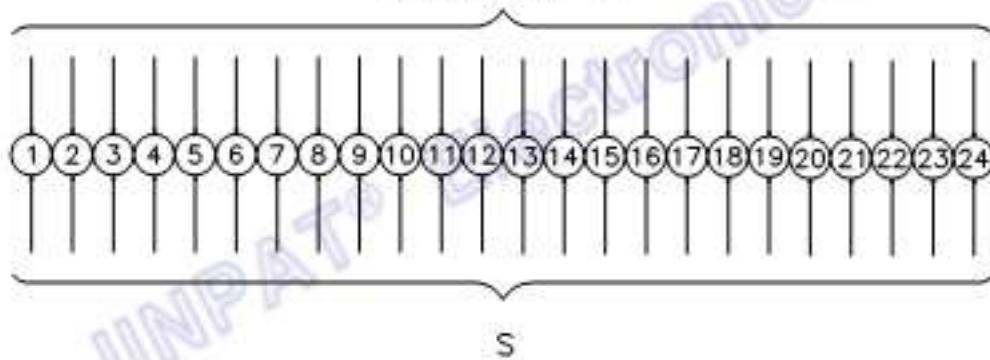
JINPAT  
www.slpring.cn

MODEL	LPT060-2405						
Customer code	/	TITLE	Outline Drawing				
UNIT	mm	DESIGN	HW	DATE	2018.08.03		
SCALE	1:1	CHECKED	LWL	DATE	2018.08.03		
PROJ.	◆	REV.	AG	PAGE	1/2		

NO.	CONTENT OF AMENDMENT	DATE	BY

This document is the property of JINPAT Electronics Co., Ltd (ShenZhen) (Hereafter "JINPAT"). It is lent and is to be returned upon request. The contents of this document are confidential and constitute trade secrets proprietary to JINPAT. Its contents document nor its contents shall be disclosed to any unauthorized person copied or published without JINPAT prior written consent.  
COPY RIGHT © 2018 JINPAT ELECTRONICS Co., Ltd (ShenZhen).

R  
24Circuits \* 5A(240VAC)  
|  
AWG22#Teflon® UL



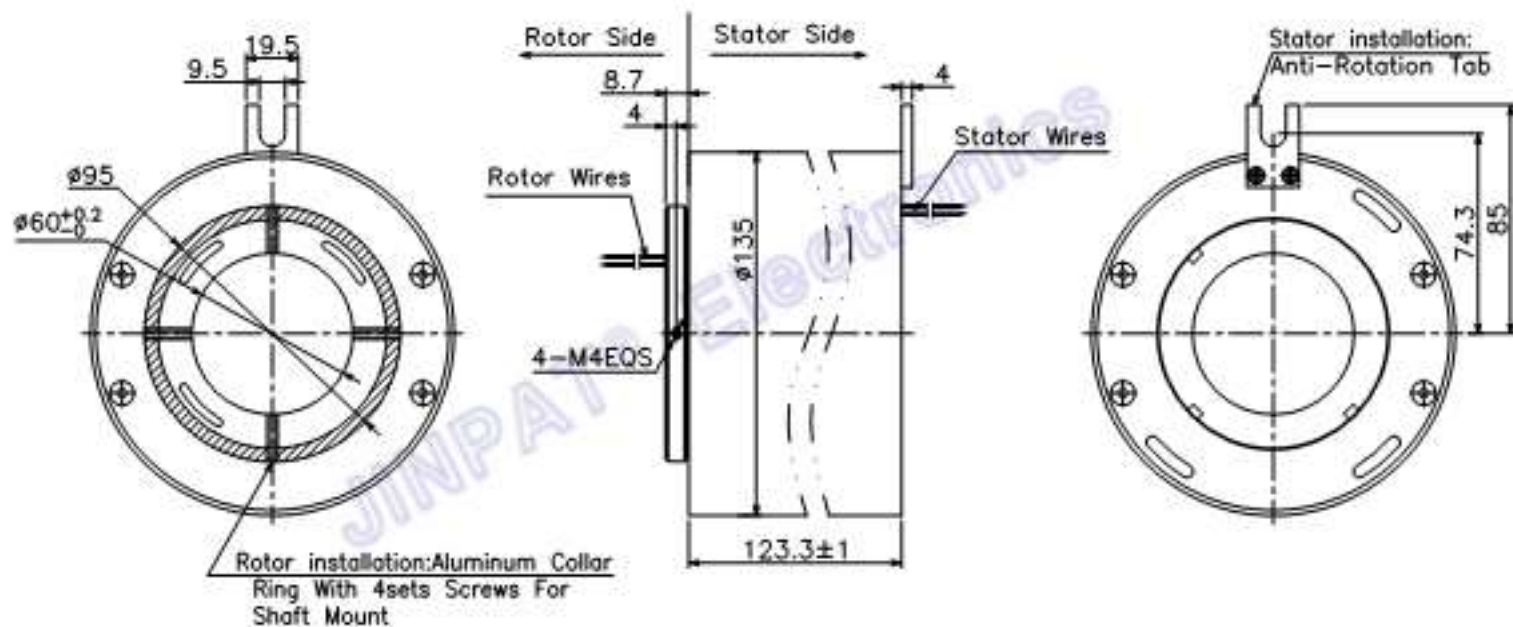
Electronic & Electric		Mechanical		
Circuits	Total	24 DC	Working Speed	0-300rpm
	Detail	24*5A	Inner Diameter	40mm
Rating Voltage	240V AC/DC	Contact Material	Precious Metal	
Dielectric Strength	1000VAC@50Hz	Housing Material	Aluminum Alloy	
Insulation Resistance	>500MΩ@50VDC	Lead Wire Length	Outer:300mm Inner:300mm	
Environment		Remarks		
Working Temperature	-20°C~+80°C	Other	/	
Working Humidity	40%RH			

  
JINPAT  
www.slipring.cn

MODEL	LPT060-2405						
Customer code	/		TITLE	Wiring Diagram			
UNIT	mm	ALL UNITS SPECIFIED	DESIGN	HWH	DATE	2018.08.03	
SCALE	1:1	5--19 50.1 20--25 50.2 26--30 50.3 31--35 50.4	CHECKED	LWL	DATE	2018.08.03	
PROJ.		50.5	REV.	AG	PAGE	1/2	

NO.	CONTENT OF AMENDMENT	DATE	BY

This document is the property of JINPAT Electronics Co., Ltd (Shenzhen) (Hereafter "JINPAT"). It is lent and is to be returned upon request. The contents of this document are confidential and constitute trade secrets proprietary to JINPAT. Its contents document nor its contents shall be disclosed to any unauthorized person copied or published without JINPAT prior written consent.  
COPY RIGHT © 2018 JINPAT ELECTRONICS Co., Ltd (Shenzhen).



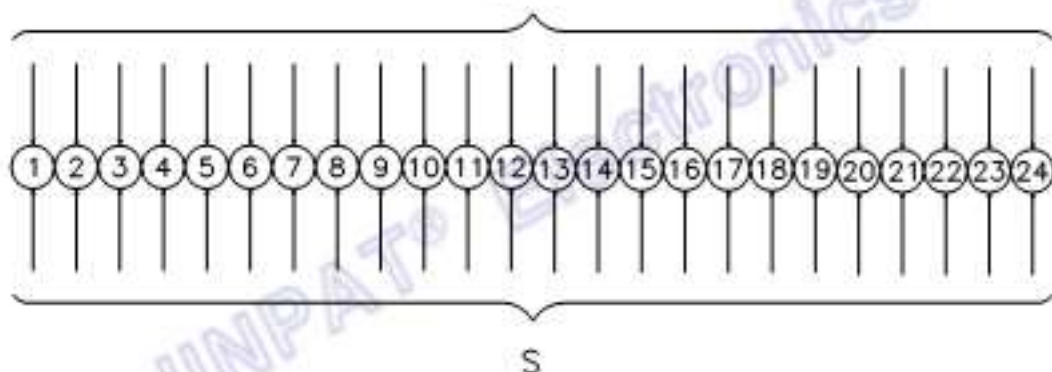
JINPAT  
www.slipring.cn

MODEL	LPT060-2410						
Customer code	/		TITLE	Outline Drawing			
UNIT	mm	NO. SHEETS SPECIFIED	DESIGN	HW	DATE	2018.06.03	
SCALE	1:1	DESIGN 9-19 HW.1 18-20 HW.2 24-26 HW.2 30-32 HW.2	CHECKED	LWL	DATE	2018.06.03	
PROJ.		NO.7	REV.	AG	PAGE	1/2	

NO.	CONTENT OF AMENDMENT	DATE	BY


This document is the property of JINPAT Electronics Co., Ltd (ShenZhen) (Hereafter "JINPAT"). It is lent and is to be returned upon request. The contents of this document are confidential and constitute trade secrets proprietary to JINPAT. Its contents document nor its contents shall be disclosed to any unauthorized person copied or published without JINPAT prior written consent.  
COPY RIGHT © 2018 JINPAT ELECTRONICS Co., Ltd (ShenZhen).

R  
24Circuits \* 10A(240VAC)  
|  
AWG17#Teflon® UL



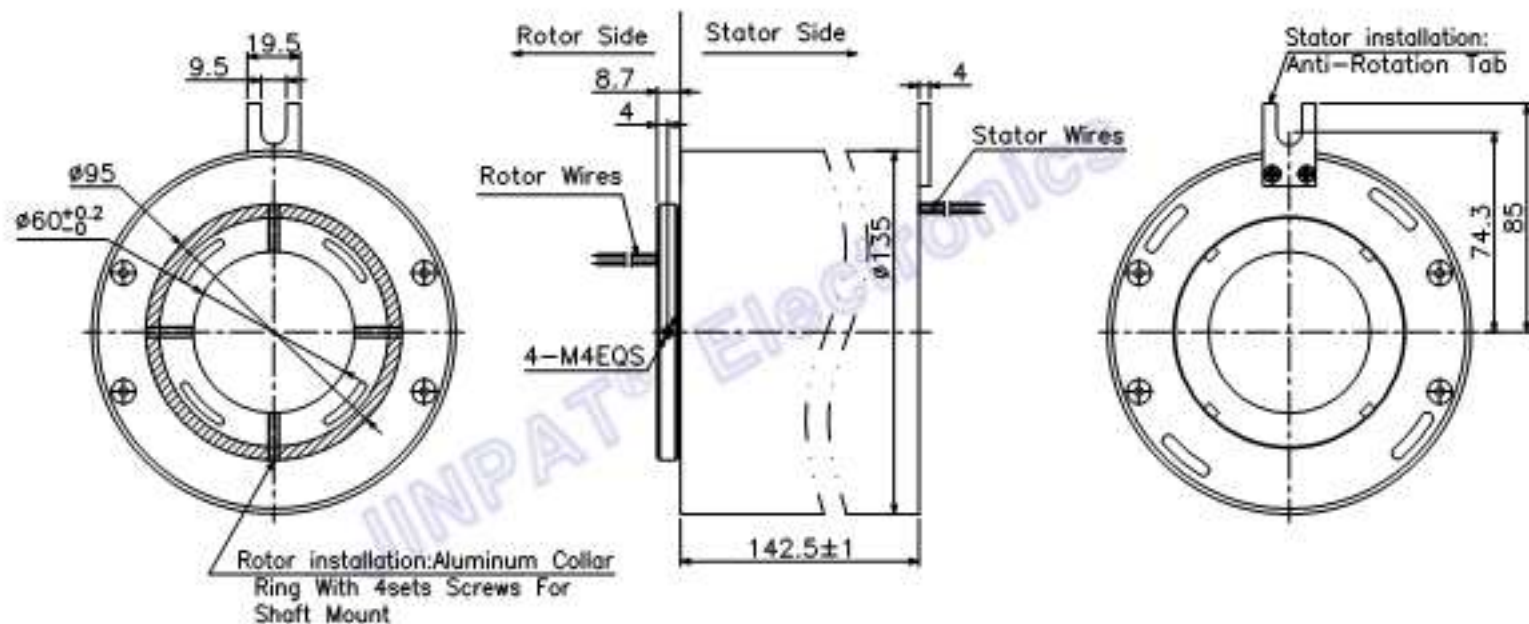
Electronic & Electric		Mechanical		
Circuits	Total	24 DC	Working Speed	0-300rpm
	Detail	24x10A	Inner Diameter	40mm
Rating Voltage	240V AC/DC	Contact Material	Preious Metal	
Dielectric Strength	1000VAC@50Hz	Housing Material	Aluminum Alloy	
Insulation Resistance	>500MΩ@50VDC	Lead Wire Length	Outer:300mm Inner:300mm	
Environment		Remarks		
Working Temperature	-20°C~+80°C	Other	/	
Working Humidity	40%RH			

  
JINPAT  
www.slipring.cn

MODEL	LPT060-2410					
Customer code	/		TITLE	Wiring Diagram		
LWT	mm	PL UNITS SPECIFIED	DESIGN	HW	DATE	2018.08.03
SCALE	1:1	0-10 05.1 10-20 02.10 20-30 02.2 30-40 02.2 40-50 02.2	CHECKED	LWL	DATE	2018.08.03
PROJ.		REV.	AG	PAGE	1/2	

NO.	CONTENT OF AMENDMENT	DATE	BY

This document is the property of JINPAT Electronics Co., Ltd (Shenzhen) (Hereafter "JINPAT"). It is lent and is to be returned upon request. The contents of this document are confidential and constitute trade secrets proprietary to JINPAT. Its contents document nor its contents shall be disclosed to any unauthorized person copied or published without JINPAT prior written consent.  
COPY RIGHT © 2018 JINPAT ELECTRONICS Co., Ltd (Shenzhen).



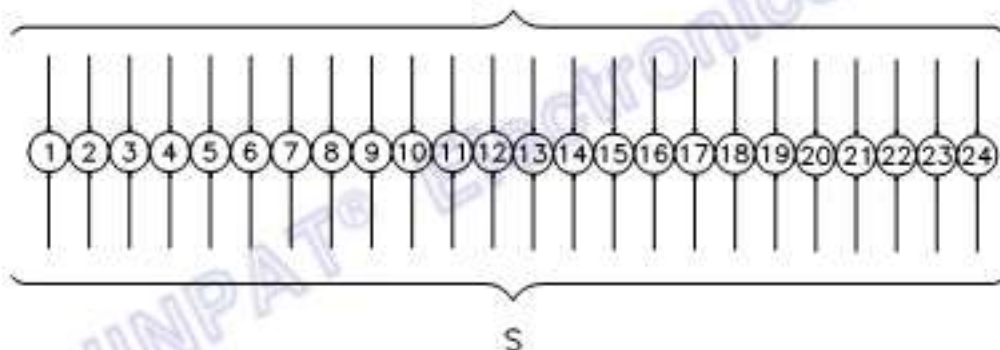
JINPAT  
www.slipring.cn

MODEL	LPT060-2415						
Customer code	/		TITLE	Outline Drawing			
UNIT	mm	DL UNITS SPECIFIED	DESIGN	HW	DATE	2018.08.03	
SCALE	1:1	UNITS 1/8"=1" 1:1 3/16"=1" 1:1 1/4"=1" 1:1 3/8"=1" 1:1 1/2"=1" 1:1	CHECKED	LWL	DATE	2018.08.03	
PROJ.		REV.	AG	PAGE	1/2		

NO.	CONTENT OF AMENDMENT	DATE	BY


This document is the property of JINPAT Electronics Co., Ltd (Shenzhen) (Hereafter "JINPAT"). It is lent and is to be returned upon request. The contents of this document are confidential and constitute trade secrets proprietary to JINPAT. Its contents document nor its contents shall be disclosed to any unauthorized person copied or published without JINPAT prior written consent.  
COPY RIGHT © 2018 JINPAT ELECTRONICS Co., Ltd (Shenzhen).

R  
24Circuits \* 15A(240VAC)  
|  
AWG14#Teflon® UL



Electronic & Electric		Mechanical		
Circuits	Total	24 DC	Working Speed	0-300rpm
	Detail	24x15A	Inner Diameter	40mm
Rating Voltage	240V AC/DC	Contact Material	Prevalent Metal	
Dielectric Strength	1000VAC@50Hz	Housing Material	Aluminum Alloy	
Insulation Resistance	>300MΩ@50VDC	Lead Wire Length	Outer:300mm Inner:300mm	
Environment		Remarks		
Working Temperature	-20°C~+80°C	Other	/	
Working Humidity	40%RH			

  
JINPAT  
www.slipring.cn

MODEL	LPT060-2415					
Customer code	/		TITLE	Wiring Diagram		
LWT	mm	PL UNITS SPECIFIED	DESIGN	HW	DATE	2018.08.03
SCALE	1:1	UNITS 1-10 00.1 10-20 00.10 20-30 00.2 30-40 00.3	CHECKED	LWL	DATE	2018.08.03
PROJ.		REV.	AG	PAGE	1/2	