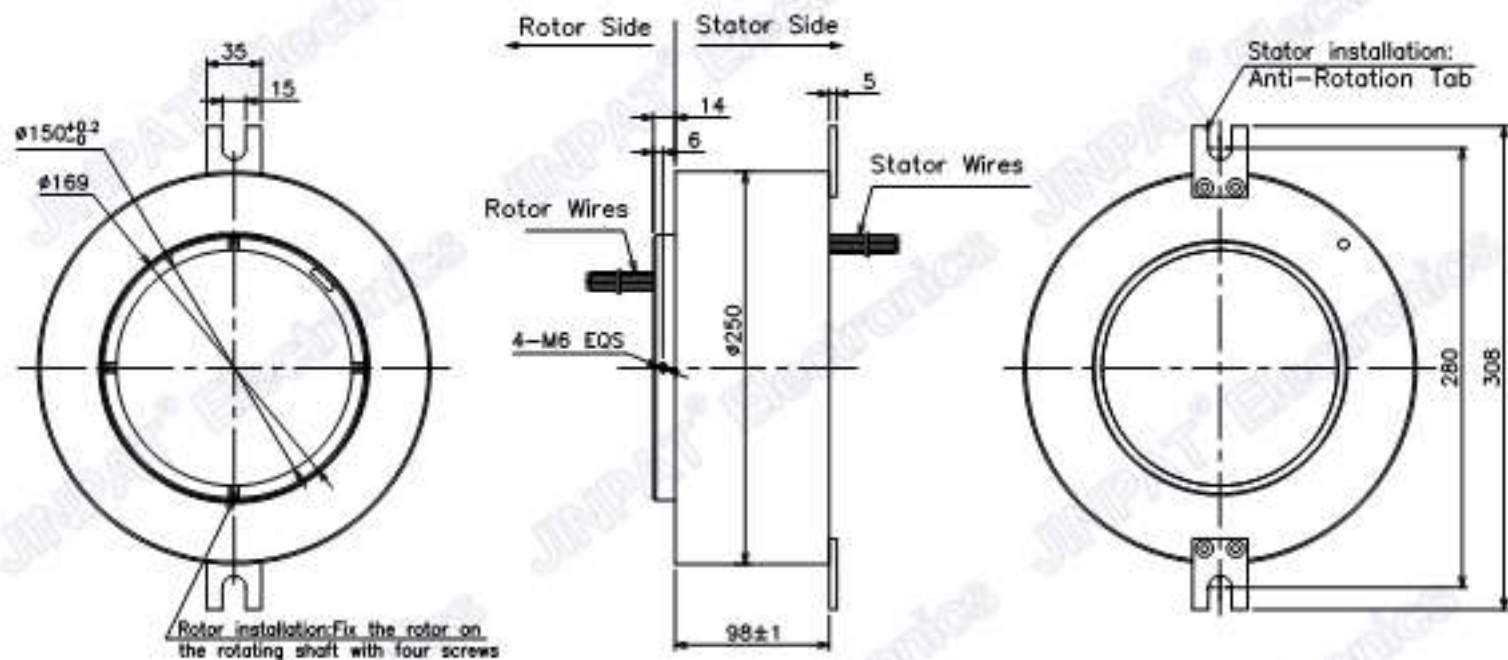


FIG	文号	图号	版次

This document is the property of JINPAT Electronics Co., Ltd (ShenZhen) (Hereafter "JINPAT"). It is lent and is to be returned upon request. The contents of this document are confidential and constitute trade secrets proprietary to JINPAT. Its contents document nor its contents shall be disclosed to any unauthorized person copied or published without JINPAT prior written consent.
COPY RIGHT © 2022 JINPAT ELECTRONICS Co., Ltd (ShenZhen).



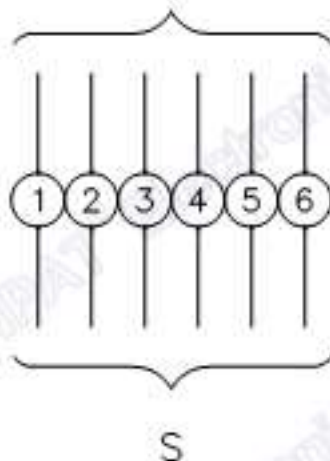

JINPAT
www.slpring.cn

MODEL	LPT150-0605						
Customer code	/		TITLE	Outline Drawing			
UNIT	mm	UNLESS SPECIFIED	DESIGN	LOG	DATE	2022.02.21	
SCALE	1:1	1:10 1:5 1:20 1:50 1:100 1:200 1:500 1:1000	CHECKED	LWL	DATE	2022.02.21	
PROJ.		REV.	AG	PAGE	1/2		

MARK	CONTENT OF MARKING	DATE	QWY

This document is the property of JINPAT Electronics Co., Ltd (ShenZhen) (Hereafter "JINPAT"). It is lent and is to be returned upon request. The contents of this document are confidential and constitute trade secrets proprietary to JINPAT. Its contents document nor its contents shall be disclosed to any unauthorized person copied or published without JINPAT prior written consent.
COPY RIGHT © 2022 JINPAT ELECTRONICS Co., Ltd (ShenZhen).

6Circuits * 5A(240VAC)
AWG22# Teflon® UL



Electronic & Electric		Mechanical		
Circuits	Total	6 CRT	Working Speed	0-300rpm
	Detail	6A	Inner Diameter	ø150mm
Rating Voltage	240V AC/DC	Contact Material	Preformed Metal	
Dielectric Strength	1000VAC/50Hz	Housing Material	Aluminum Alloy	
Insulation Resistance	>300MΩ/500VDC	Lead Wire Length	Stator:300mm Rotor:300mm	
Environment		Remarks		
Working Temperature	-20°C~+80°C	Application	/	
Working Humidity	20%~90%	Other	/	
IP	IP50	Note: "V" stands for power, "S" stands for signal.		


JINPAT
www.slipring.cn


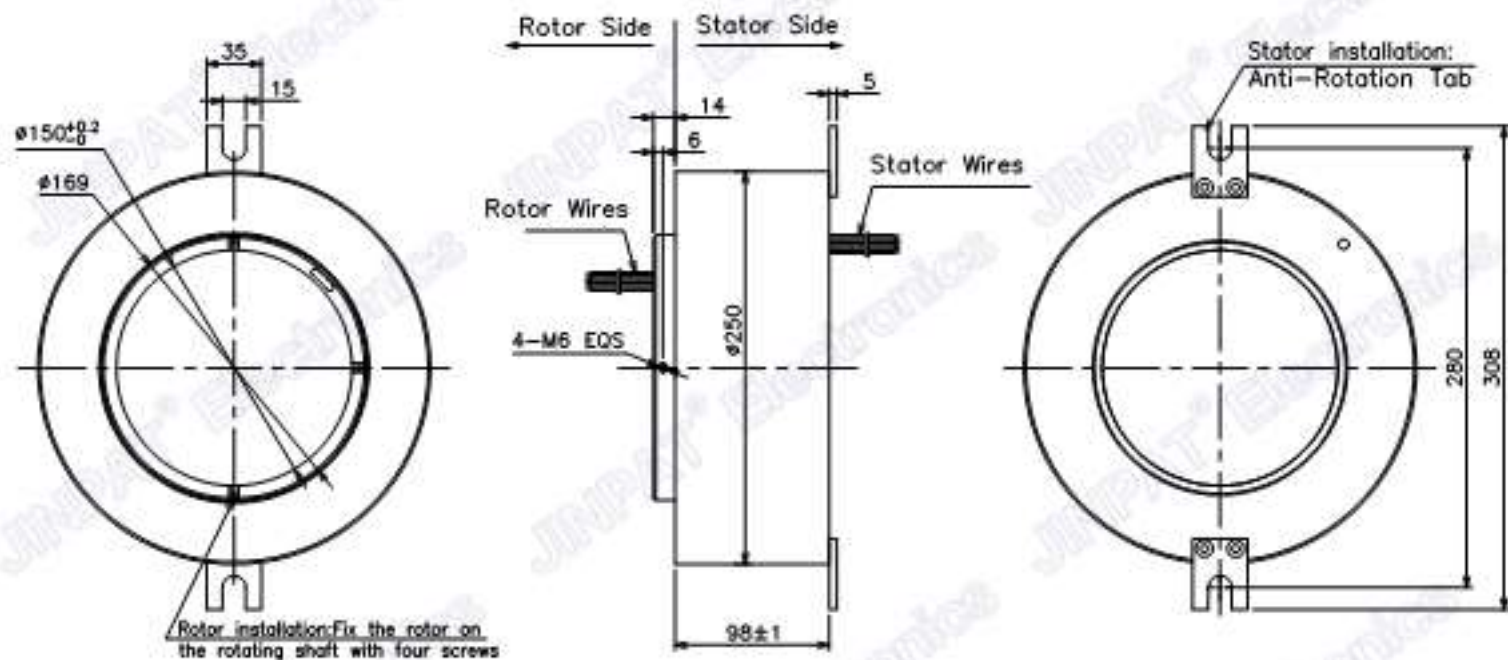
MODEL	LPT150-0605					
Customer code	XXX	TITLE	Wiring Diagram			
UNIT	mm	TOL UNLESS SPECIFIED	DESIGN	LOG	DATE	2022.02.21
SCALE	1:1	LINE 0--0.1 1:1 0.1--0.5 0.5 0.5--2.0 1:2 ANGLE +1 7.5	CHECKED	LWL	DATE	2022.02.21
PROJ.		REV.	AG	PAGE	2/2	

FIG	文 号 符 号	图 号	版 次

This document is the property of JINPAT Electronics Co., Ltd (ShenZhen) (Hereafter "JINPAT"). It is lent and is to be returned upon request. The contents of this document are confidential and constitute trade secrets proprietary to JINPAT. Its contents document nor its contents shall be disclosed to any unauthorized person copied or published without JINPAT prior written consent.
COPY RIGHT © 2022 JINPAT ELECTRONICS Co., Ltd (ShenZhen).



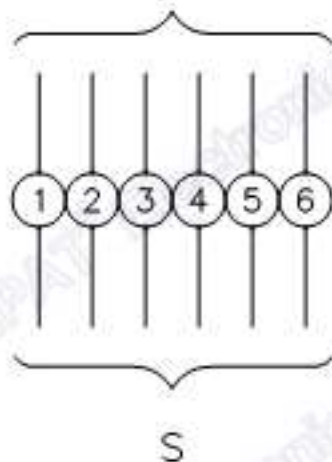
JINPAT
www.slpring.cn

MODEL	LPT150-0610						
Customer code	/		TITLE	Outline Drawing			
UNIT	mm	UNLESS SPECIFIED	DESIGN	LOG	DATE	2022.02.21	
SCALE	1:1	1:10 1:5 1:20 1:50 1:100 1:200 1:500 1:1000	CHECKED	LWL	DATE	2022.02.21	
PROJ.			REV.	AG	PAGE	1/2	

MARK	CONTENT OF MARKING	DATE	QWY

This document is the property of JINPAT Electronics Co., Ltd (ShenZhen) (Hereafter "JINPAT"). It is lent and is to be returned upon request. The contents of this document are confidential and constitute trade secrets proprietary to JINPAT. Its contents document nor its contents shall be disclosed to any unauthorized person copied or published without JINPAT prior written consent.
COPY RIGHT © 2022 JINPAT ELECTRONICS Co., Ltd (ShenZhen).

R
6Circuits * 10A(240VAC)
|
AWG17# Teflon® UL



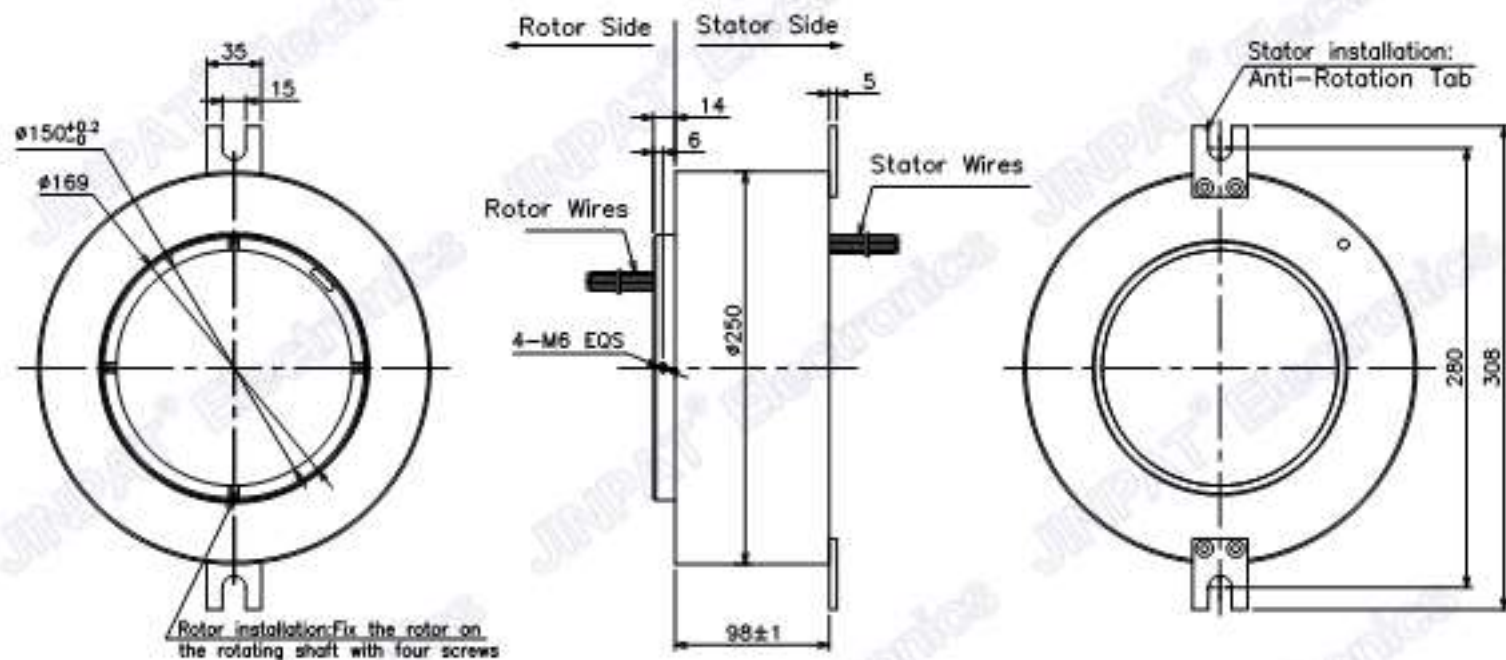
Electronic & Electric		Mechanical		
Circuits	Total	6 CRT	Working Speed	0-300rpm
	Detail	6/12A	Inner Diameter	ø150mm
Rating Voltage	240V AC/DC	Contact Material	Pre-tinned Steel	
Dielectric Strength	1000VAC/50Hz	Housing Material	Aluminum Alloy	
Insulation Resistance	>300MΩ/500VDC	Lead Wire Length	Stator:300mm Rotor:300mm	
Environment		Remarks		
Working Temperature	-20°C~+80°C	Application	/	
Working Humidity	20%~90%	Other	/	
IP	IP20	Note: "V" stands for power, "S" stands for signal.		


JINPAT
www.slipring.cn

MODEL	LPT150-0610					
Customer code	/		TITLE	Wiring Diagram		
UNIT	mm	TOL UNLESS SPECIFIED	DESIGN	LOG	DATE	2022.02.21
SCALE	1:1	LINE 0-0.1 1:1 0.1-0.5 1:2 0.5-2.0 1:3 ANGLE +1 7.5	CHECKED	LWL	DATE	2022.02.21
PROJ.			REV.	AG	PAGE	2/2

FIG	文 号 符 号	张 数	张 次

This document is the property of JINPAT Electronics Co., Ltd (ShenZhen) (Hereafter "JINPAT"). It is lent and is to be returned upon request. The contents of this document are confidential and constitute trade secrets proprietary to JINPAT. Its contents document nor its contents shall be disclosed to any unauthorized person copied or published without JINPAT prior written consent.
COPY RIGHT © 2022 JINPAT ELECTRONICS Co., Ltd (ShenZhen).

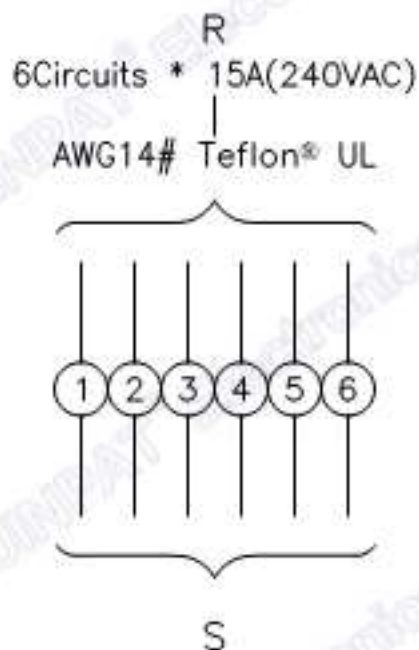


JINPAT
www.slpring.cn

MODEL	LPT150-0615						
Customer code	/		TITLE	Outline Drawing			
UNIT	mm	NO. UNLESS SPECIFIED	DESIGN	LOG	DATE	2021.10.18	
SCALE	1:1	UNLESS SPECIFIED	CHECKED	LWL	DATE	2021.10.18	
PROJ.		UNLESS SPECIFIED	REV.	AG	PAGE	1/2	

MARK	CONTENT OF MARKING	DATE	QWY

This document is the property of JINPAT Electronics Co., Ltd (ShenZhen) (Hereafter "JINPAT"). It is lent and is to be returned upon request. The contents of this document are confidential and constitute trade secrets proprietary to JINPAT. Its contents document nor its contents shall be disclosed to any unauthorized person copied or published without JINPAT prior written consent.
COPY RIGHT © 2022 JINPAT ELECTRONICS Co., Ltd (ShenZhen).



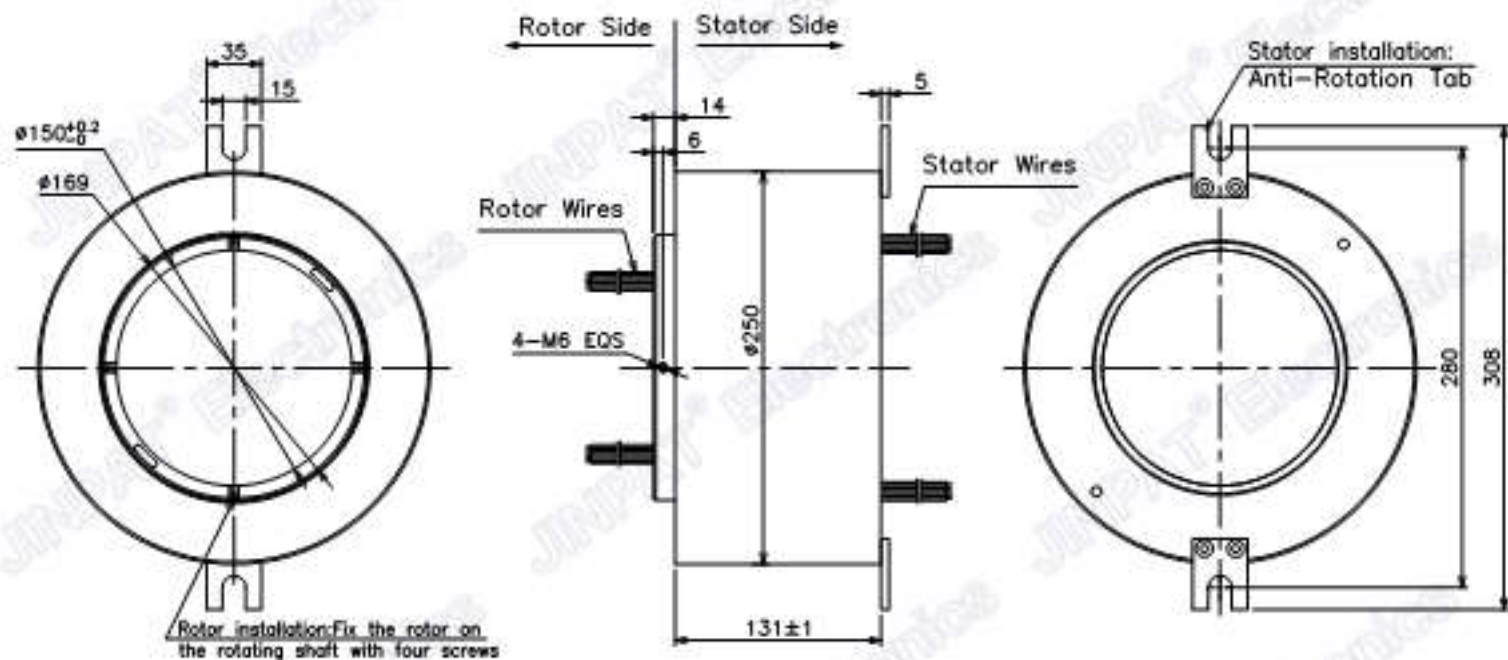
Electronic & Electric		Mechanical		
Circuits	Total	6 CRT	Working Speed	0-300rpm
	Detail	6x15A	Inner Diameter	ø150mm
Rating Voltage	240V AC/DC	Contact Material	Preformed Metal	
Dielectric Strength	1000VAC/50Hz	Housing Material	Aluminum Alloy	
Insulation Resistance	>300MΩ/500VDC	Lead Wire Length	Stator:300mm Rotor:300mm	
Environment		Remarks		
Working Temperature	-20°C~+80°C	Application	/	
Working Humidity	20%~90%	Other	/	
IP	IP50	Note: "V" stands for power, "S" stands for signal.		

JINPAT
www.silpring.cn

MODEL	LPT150-0615					
Customer code	/		TITLE	Wiring Diagram		
UNIT	mm	TOL UNLESS SPECIFIED	DESIGN	LOG	DATE	2021.10.18
SCALE	1:1	LINE 0--0.1 1:1 0.1--0.5 0.5 0.5--2.0 1:2 ANGLE ±1 7.5	CHECKED	LWL	DATE	2021.10.18
PROJ.			REV.	AG	PAGE	2/2

FIG	文 号 符 号	张 数	张 次

This document is the property of JINPAT Electronics Co., Ltd (ShenZhen) (Hereafter "JINPAT"). It is lent and is to be returned upon request. The contents of this document are confidential and constitute trade secrets proprietary to JINPAT. Its contents document nor its contents shall be disclosed to any unauthorized person copied or published without JINPAT prior written consent.
COPY RIGHT © 2022 JINPAT ELECTRONICS Co., Ltd (ShenZhen).



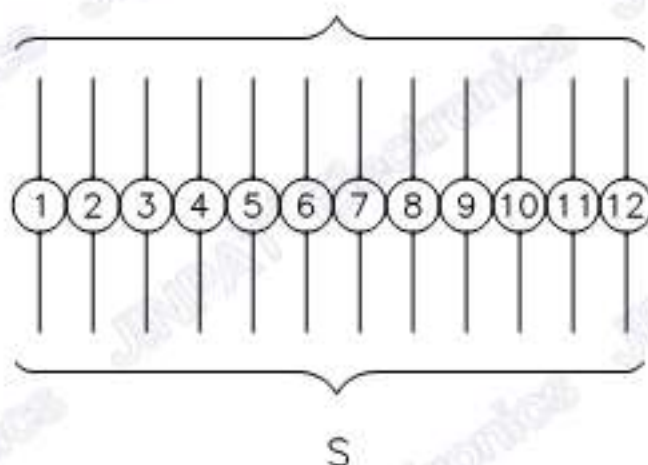
JINPAT
www.slipring.cn

MODEL	LPT150-1205						
Customer code	/		TITLE	Outline Drawing			
UNIT	mm	NO. VALUES SPECIFIED	DESIGN	LOG	DATE	2022.02.21	
SCALE	1:1	DESIGN 1-18 1-18-20 1-18-20-012 1-18-20-012	CHECKED	LWL	DATE	2022.02.21	
PROJ.		REV.	AG	PAGE	1/2		

MARK	CONTENT OF AMENDMENT	DATE	DRW

This document is the property of JINPAT Electronics Co., Ltd (ShenZhen) (Hereafter "JINPAT"). It is lent and is to be returned upon request. The contents of this document are confidential and constitute trade secrets proprietary to JINPAT. Its contents document nor its contents shall be disclosed to any unauthorized person copied or published without JINPAT prior written consent.
COPY RIGHT © 2022 JINPAT ELECTRONICS Co., Ltd (ShenZhen).

R
12Circuits * 5A(240VAC)
|
AWG22# Teflon® UL



Electronic & Electric		Mechanical		
Circuits	Total	12 CIR	Working Speed	0-300rpm
	Detail	12x04	Inner Diameter	ø150mm
Rating Voltage	240V AC/DC	Contact Material	Preformed Metal	
Dielectric Strength	1000VAC/50Hz	Housing Material	Aluminum Alloy	
Insulation Resistance	>300MΩ/500VDC	Lead Wire Length	Stator:300mm Rotor:300mm	
Environment		Remarks		
Working Temperature	-20°C~+80°C	Application	/	
Working Humidity	20%~80%	Other	/	
IP	IP50	Note: "P" stands for power, "S" stands for signal.		


JINPAT
www.slipring.cn


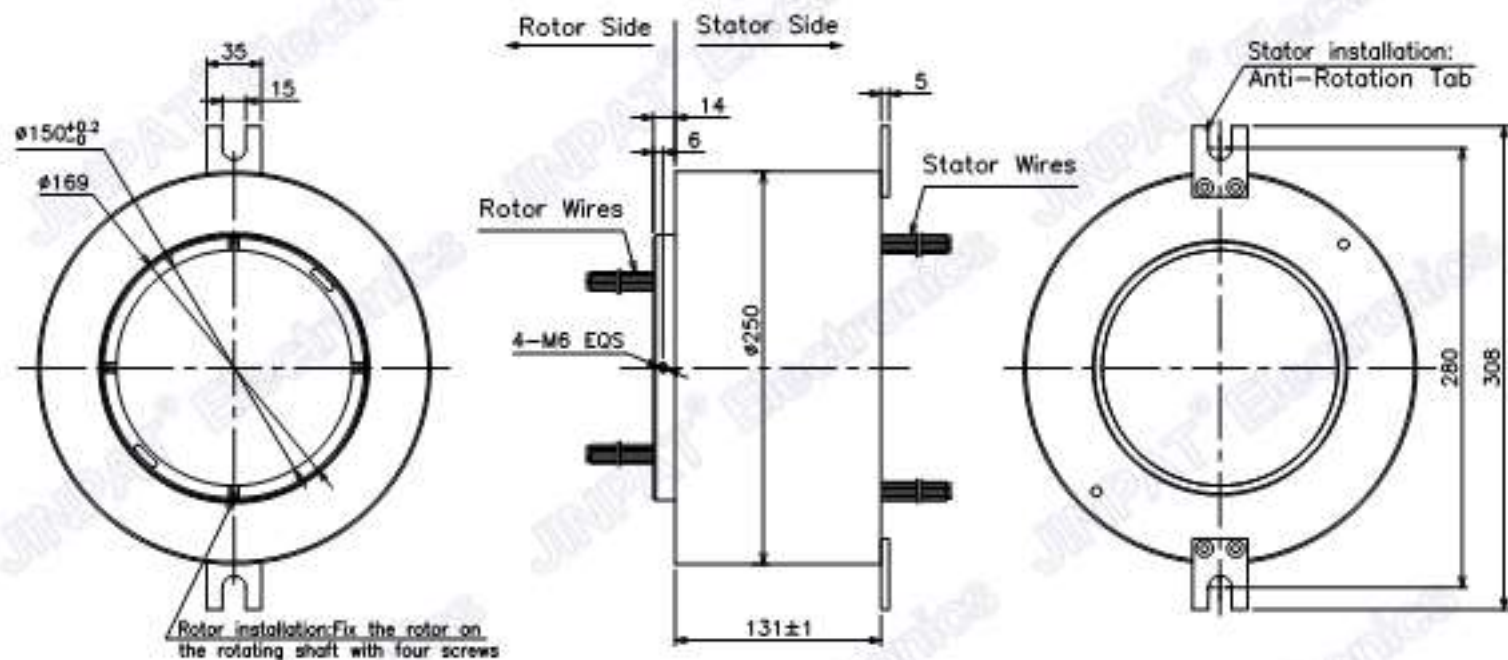
MODEL	LPT150-1205						
Customer code	XXX		TITLE	Wiring Diagram			
UNIT	mm	TOL UNLESS SPECIFIED	DESIGN	LOG	DATE	2022.02.21	
SCALE	1:1	LINE 1:1 DIM 1:1 DIM 1:2 ANGLE 1:1	CHECKED	LWL	DATE	2022.02.21	
PROJ.		±0.1	REV.	AG	PAGE	2/2	

FIG.	文 号 符 号	图 号	版 次

This document is the property of JINPAT Electronics Co., Ltd (ShenZhen) (Hereafter "JINPAT"). It is lent and is to be returned upon request. The contents of this document are confidential and constitute trade secrets proprietary to JINPAT. Its contents document nor its contents shall be disclosed to any unauthorized person copied or published without JINPAT prior written consent.
COPY RIGHT © 2022 JINPAT ELECTRONICS Co., Ltd (ShenZhen).



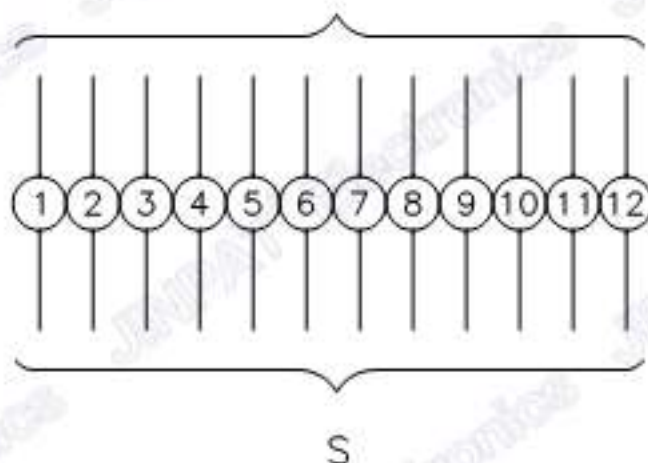
JINPAT
www.slipring.cn

MODEL	LPT150-1210						
Customer code	/		TITLE	Outline Drawing			
UNIT	mm	NO. VALUES SPECIFIED	DESIGN	LOG	DATE	2022.02.21	
SCALE	1:1	MINOR 0-10 0.1 10-30 0.05 30-50 0.02 50-70 0.01	CHECKED	LWL	DATE	2022.02.21	
PROJ.			REV.	AG	PAGE	1/2	

MARK	CONTENT OF AMENDMENT	DATE	BY

This document is the property of JINPAT Electronics Co., Ltd (ShenZhen) (Hereafter "JINPAT"). It is lent and is to be returned upon request. The contents of this document are confidential and constitute trade secrets proprietary to JINPAT. Its contents document nor its contents shall be disclosed to any unauthorized person copied or published without JINPAT prior written consent.
COPY RIGHT © 2022 JINPAT ELECTRONICS Co., Ltd (ShenZhen).

R
12Circuits * 10A(240VAC)
|
AWG17# Teflon® UL



Electronic & Electric		Mechanical		
Circuits	Total	12 CIR	Working Speed	0-300rpm
	Detail	12x15h	Inner Diameter	ø150mm
Rating Voltage	240V AC/DC	Contact Material	Preformed Metal	
Dielectric Strength	1000VAC/50Hz	Housing Material	Aluminum Alloy	
Insulation Resistance	>300MΩ/500VDC	Lead Wire Length	Stator:300mm Rotor:300mm	
Environment		Remarks		
Working Temperature	-20°C~+80°C	Application	/	
Working Humidity	20%~90%	Other	/	
IP	IP50	Note: "P" stands for power, "S" stands for signal.		


JINPAT
www.slpring.cn


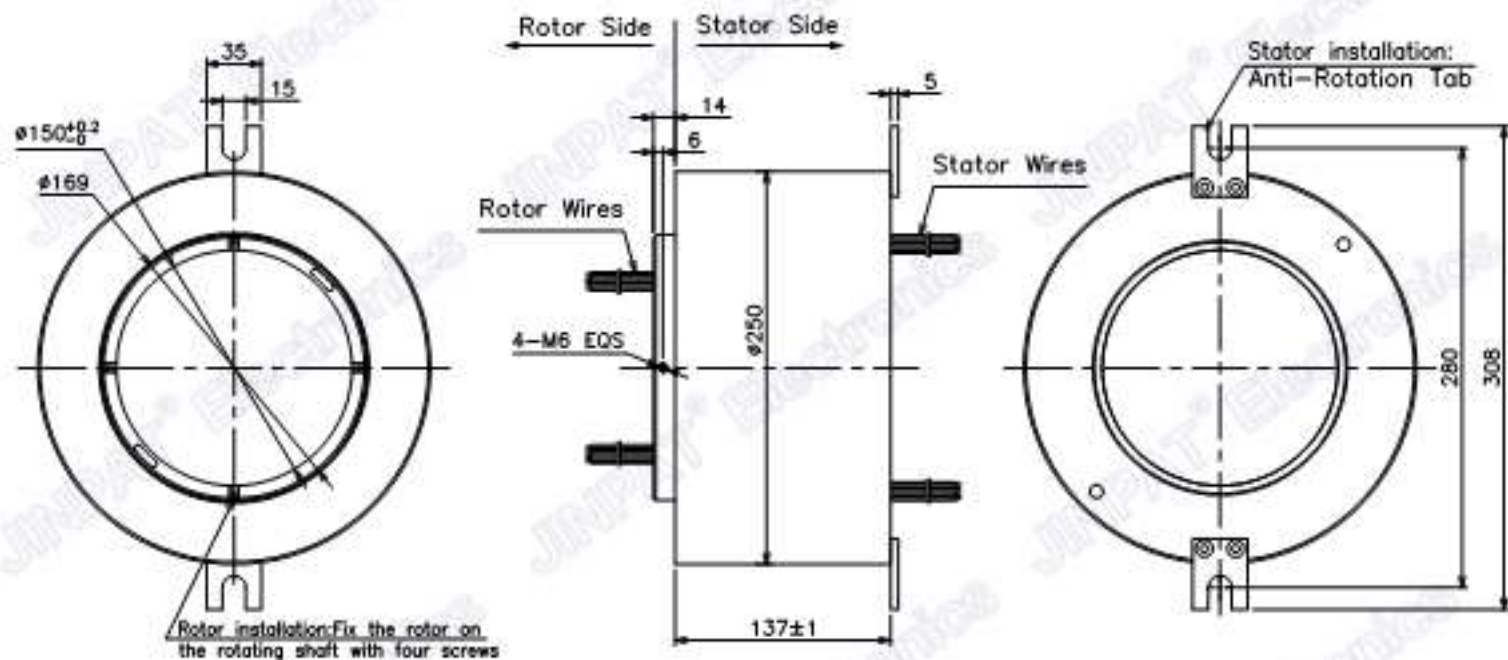
MODEL	LPT150-1210					
Customer code	XXX		TITLE	Wiring Diagram		
UNIT	mm	TOL UNLESS SPECIFIED	DESIGN	LOG	DATE	2022.02.21
SCALE	1:1	LINE 1:1 1.5-2.0 1:2 2.0-2.5 1:2 2.5-3.0 1:2 3.0-4.0 1:2 4.0-5.0 1:2 5.0-6.0 1:2 6.0-7.0 1:2 7.0-8.0 1:2 8.0-9.0 1:2 9.0-10.0 1:2	CHECKED	LWL	DATE	2022.02.21
PROJ.		ANGLE +1 7.5	REV.	AG	PAGE	2/2

FIG	文 号 符 号	图 号	版 次

This document is the property of JINPAT Electronics Co., Ltd (ShenZhen) (Hereafter "JINPAT"). It is lent and is to be returned upon request. The contents of this document are confidential and constitute trade secrets proprietary to JINPAT. Its contents document nor its contents shall be disclosed to any unauthorized person copied or published without JINPAT prior written consent.
COPY RIGHT © 2022 JINPAT ELECTRONICS Co., Ltd (ShenZhen).



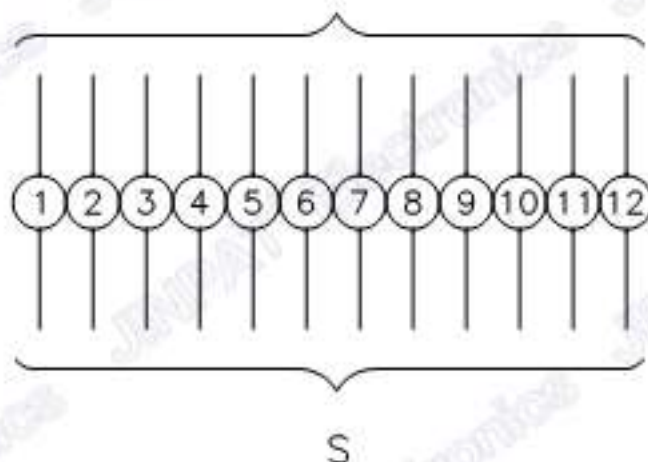
JINPAT
www.slipring.cn

MODEL	LPT150-1215						
Customer code	/		TITLE	Outline Drawing			
UNIT	mm	NO. VALUES SPECIFIED	DESIGN	LOG	DATE	2022.02.21	
SCALE	1:1	DESIGN 1-18 1-18-20 1-18-20-012	CHECKED	LWL	DATE	2022.02.21	
PROJ.	←	REV.	AG	PAGE	1/2		

MARK	CONTENT OF AMENDMENT	DATE	DRW

This document is the property of JINPAT Electronics Co., Ltd (ShenZhen) (Hereafter "JINPAT"). It is lent and is to be returned upon request. The contents of this document are confidential and constitute trade secrets proprietary to JINPAT. Its contents document nor its contents shall be disclosed to any unauthorized person copied or published without JINPAT prior written consent.
COPY RIGHT © 2022 JINPAT ELECTRONICS Co., Ltd (ShenZhen).

R
12Circuits * 15A(240VAC)
|
AWG14# Teflon® UL



Electronic & Electric		Mechanical		
Circuits	Total	12 CIR	Working Speed	0-300rpm
	Detail	12x15A	Inner Diameter	ø150mm
Rating Voltage	240V AC/DC	Contact Material	Preformed Metal	
Dielectric Strength	1000VAC/50Hz	Housing Material	Aluminum Alloy	
Insulation Resistance	>300MΩ/500VDC	Lead Wire Length	Stator:300mm Rotor:300mm	
Environment		Remarks		
Working Temperature	-20°C~+80°C	Application	/	
Working Humidity	20%~90%	Other	/	
IP	IP50	Note: "P" stands for power, "S" stands for signal.		


JINPAT
www.slipring.cn


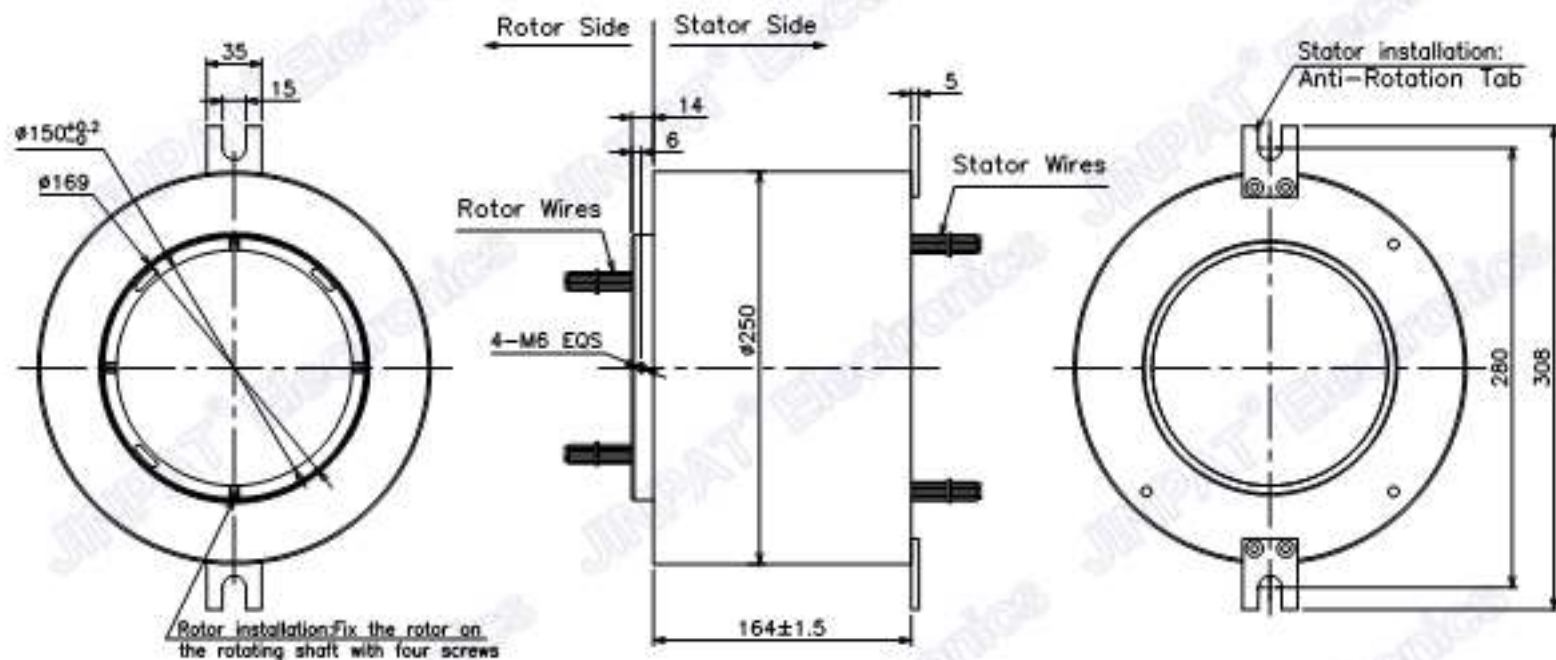
MODEL	LPT150-1215					
Customer code	XXX		TITLE	Wiring Diagram		
UNIT	mm	TOL UNLESS SPECIFIED	DESIGN	LOG	DATE	2022.02.21
SCALE	1:1	LINE 1:1 DIM 1:1 DIM 1:2 ANGLE 1:1	CHECKED	LWL	DATE	2022.02.21
PROJ.		±0.1	REV.	AG	PAGE	2/2

FIG.	文 号 符 号	图 号	版 次

This document is the property of JINPAT Electronics Co., Ltd (ShenZhen) (Hereafter "JINPAT"). It is lent and is to be returned upon request. The contents of this document are confidential and constitute trade secrets proprietary to JINPAT. Its contents document nor its contents shall be disclosed to any unauthorized person copied or published without JINPAT prior written consent.
COPY RIGHT © 2022 JINPAT ELECTRONICS Co., Ltd (ShenZhen).



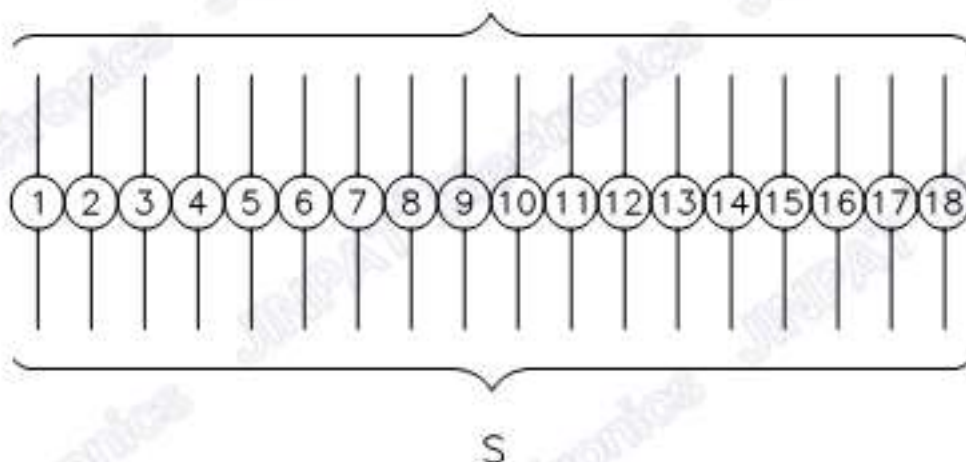
JINPAT
www.slipring.cn

MODEL	LPT150-1805						
Customer code	/		TITLE	Outline Drawing			
UNIT	mm	UNLESS SPECIFIED	DESIGN	LOG	DATE	2022.02.21	
SCALE	1:1	UNLESS SPECIFIED	CHECKED	LWL	DATE	2022.02.21	
PROJ.			REV.	AG	PAGE	1/2	

MARK	CONTENT OF MARKING	DATE	QWY

This document is the property of JINPAT Electronics Co., Ltd (ShenZhen) (Hereafter "JINPAT"). It is lent and is to be returned upon request. The contents of this document are confidential and constitute trade secrets proprietary to JINPAT. Its contents document nor its contents shall be disclosed to any unauthorized person copied or published without JINPAT prior written consent.
COPY RIGHT © 2022 JINPAT ELECTRONICS Co., Ltd (ShenZhen).

R
18Circuits * 5A(240VAC)
|
AWG22# Teflon® UL



Electronic & Electric		Mechanical		
Circuits	Total	18 OUT	Working Speed	0-300rpm
	Detail	18x04	Inner Diameter	ø150mm
Rating Voltage	240V AC/DC	Contact Material	Preformed Metal	
Dielectric Strength	1000VAC/50Hz	Housing Material	Aluminum Alloy	
Insulation Resistance	>300MΩ/500VDC	Lead Wire Length	Stator:300mm Rotor:300mm	
Environment		Remarks		
Working Temperature	-20°C~+80°C	Application	/	
Working Humidity	20%~90%	Other	/	
IP	IP20	Note: "P" stands for power, "S" stands for signal.		


JINPAT
www.slipring.cn


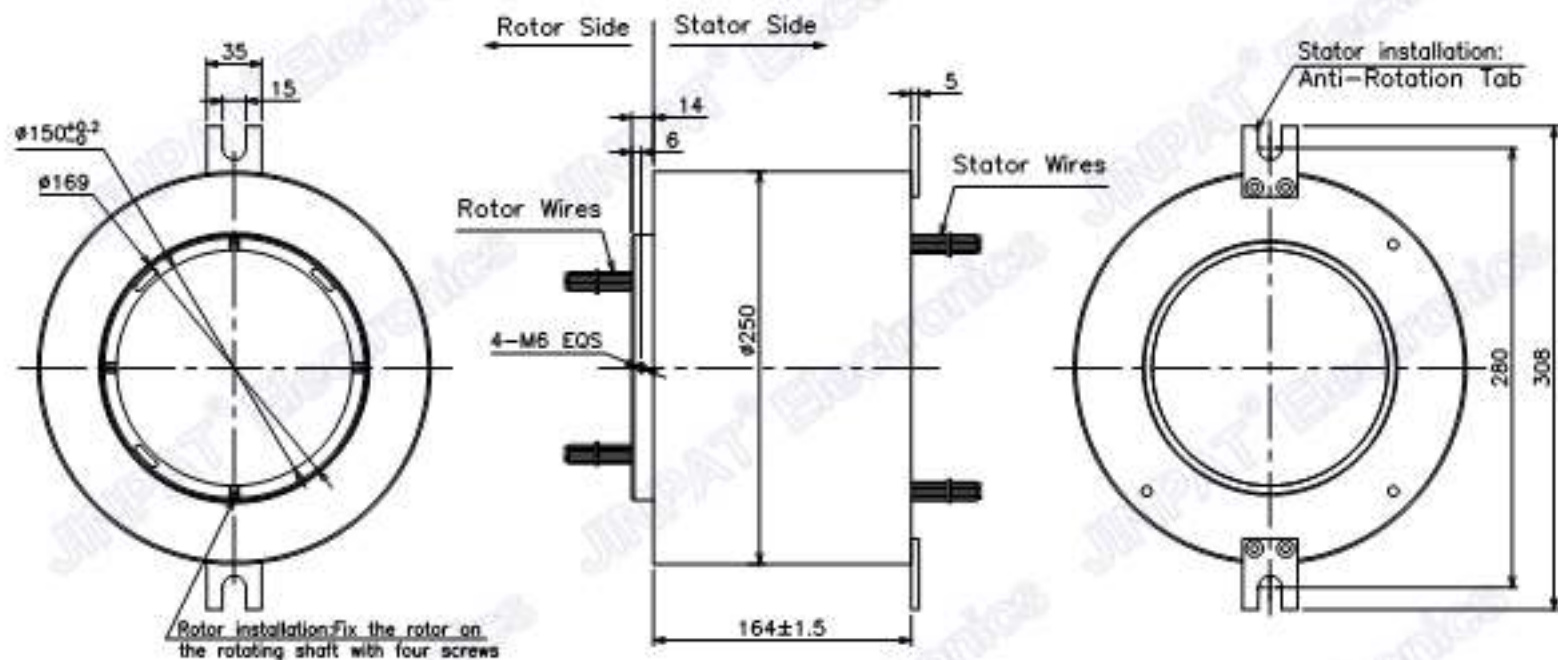
MODEL	LPT150-1805						
Customer code	/		TITLE	Wiring Diagram			
UNIT	mm	TOL UNLESS SPECIFIED	DESIGN	LOG	DATE	2022.02.21	
SCALE	1:1	LINE 0--0.1 1:1 0.1--0.5 0.5 0.5--2.0 1:2 2--5 1:5 ANGLE +1 7.5	CHECKED	LWL	DATE	2022.02.21	
PROJ.			REV.	AG	PAGE	2/2	

FIG.	文号	图号	图次

This document is the property of JINPAT Electronics Co., Ltd (ShenZhen) (Hereafter "JINPAT"). It is lent and is to be returned upon request. The contents of this document are confidential and constitute trade secrets proprietary to JINPAT. Its contents document nor its contents shall be disclosed to any unauthorized person copied or published without JINPAT prior written consent.
COPY RIGHT © 2022 JINPAT ELECTRONICS Co., Ltd (ShenZhen).



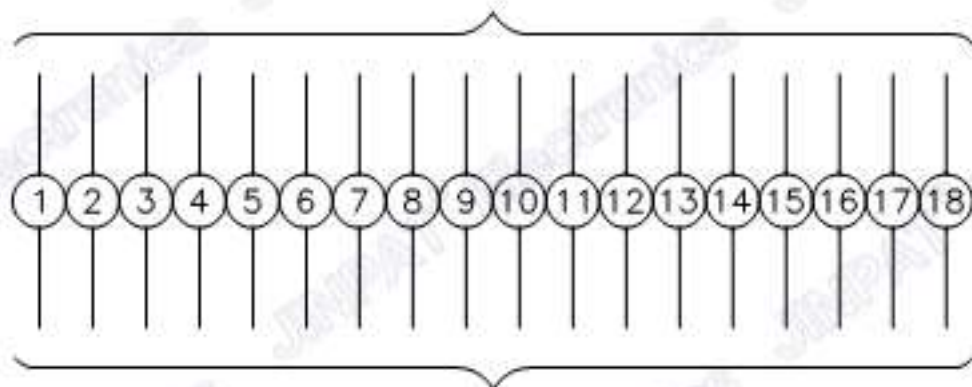
JINPAT
www.slipring.cn

MODEL	LPT150-1810						
Customer code	/		TITLE	Outline Drawing			
UNIT	mm	NO. VALUES SPECIFIED	DESIGN	LOG	DATE	2022.02.21	
SCALE	1:1	DESIGN 2-18 3-18 145-200 1802 40.2	CHECKED	LML	DATE	2022.02.21	
PROJ.			REV.	AG	PAGE	1/2	

MARK	CONTENT OF MARKING	DATE	QWY

This document is the property of JINPAT Electronics Co., Ltd (ShenZhen) (Hereafter "JINPAT"). It is lent and is to be returned upon request. The contents of this document are confidential and constitute trade secrets proprietary to JINPAT. Its contents document nor its contents shall be disclosed to any unauthorized person copied or published without JINPAT prior written consent.
COPY RIGHT © 2022 JINPAT ELECTRONICS Co., Ltd (ShenZhen).

R
18Circuits * 10A(240VAC)
|
AWG17# Teflon® UL



S

Electronic & Electric		Mechanical		
Circuits	Total	18 CIR	Working Speed	0-300rpm
	Detail	18/18h	Inner Diameter	ø150mm
Rating Voltage	240V AC/DC	Contact Material	Preformed Metal	
Dielectric Strength	1000VAC/50Hz	Housing Material	Aluminum Alloy	
Insulation Resistance	>300MΩ/500VDC	Lead Wire Length	Stator:300mm Rotor:300mm	
Environment		Remarks		
Working Temperature	-20°C~+80°C	Application	/	
Working Humidity	20%~90%	Other	/	
IP	IP50	Note: "P" stands for power, "S" stands for signal.		


JINPAT
www.slipring.cn


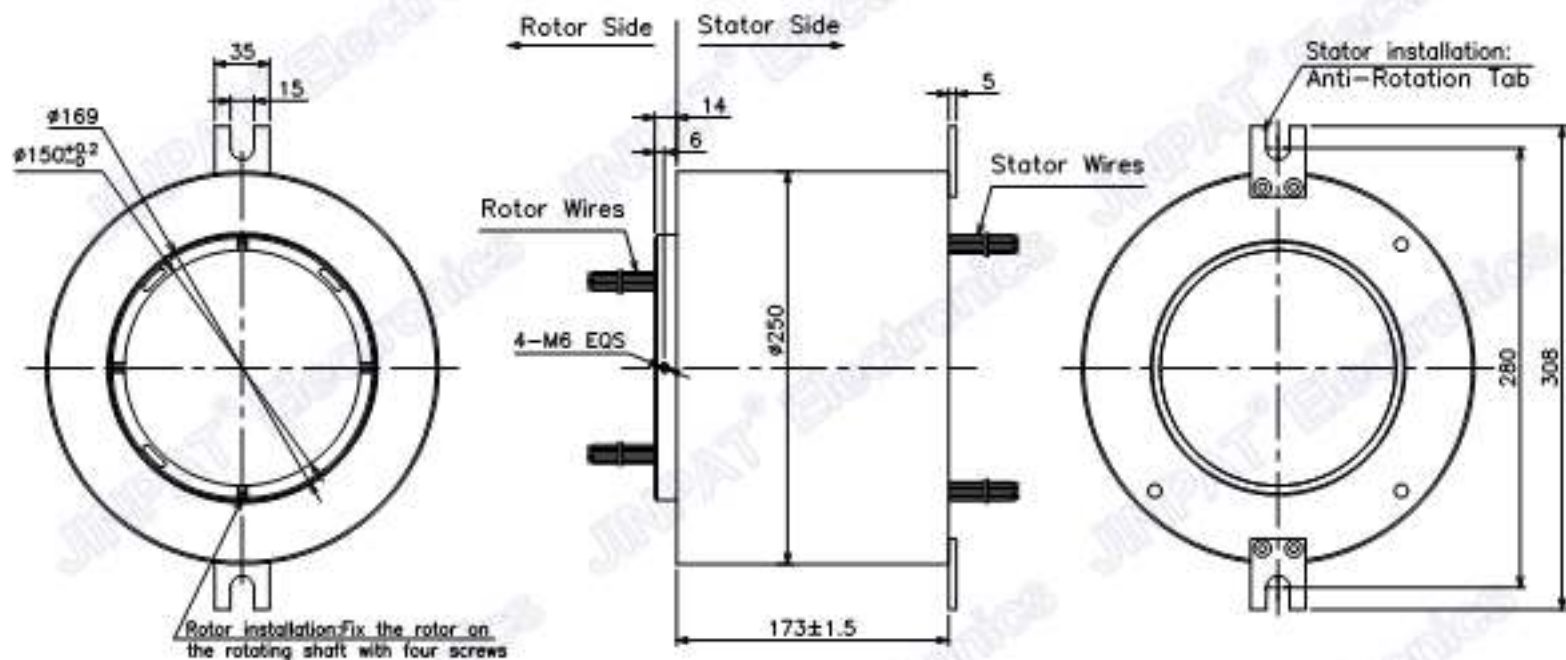
MODEL	LPT150-1810					
Customer code	/		TITLE	Wiring Diagram		
UNIT	mm	TOL UNLESS SPECIFIED	DESIGN	LOG	DATE	2022.02.21
SCALE	1:1	LINE 0--0.1 1:1 0.1--0.5 0.5 0.5--2.0 1:2 ANGLE +1 7.5	CHECKED	LWL	DATE	2022.02.21
PROJ.			REV.	AG	PAGE	2/2

FIG.	文號	日期	版次

This document is the property of JINPAT Electronics Co., Ltd (Shenzhen) (Hereafter "JINPAT"). It is lent and is to be returned upon request. The contents of this document are confidential and constitute trade secrets proprietary to JINPAT. Its contents document nor its contents shall be disclosed to any unauthorized person copied or published without JINPAT prior written consent.
COPY RIGHT © 2022 JINPAT ELECTRONICS Co., Ltd (Shenzhen).



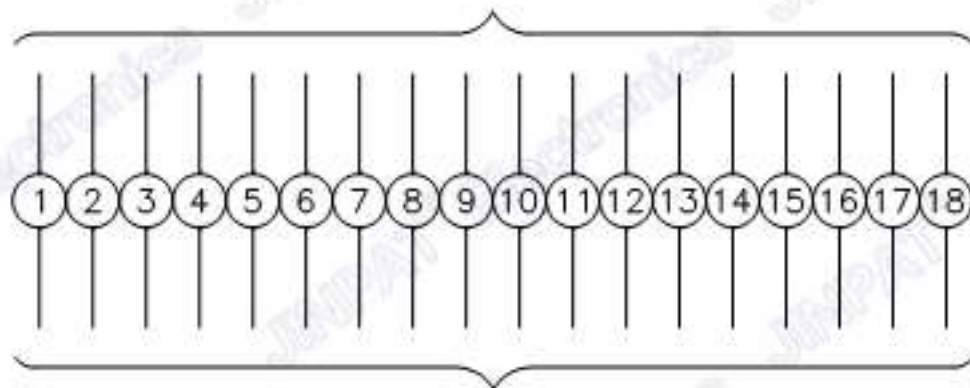
JINPAT
www.slipring.cn

MODEL	LPT150-1815						
Customer code	/		TITLE	Outline Drawing			
UNIT	mm	NO. VALUES SPECIFIED	DESIGN	LOG	DATE	2022.02.21	
SCALE	1:1	DESIGN 1-18 1-18-20 1-18-20-012	CHECKED	LML	DATE	2022.02.21	
PROJ.		REV.	AG	PAGE	1/2		

MARK	CONTENT OF MARKING	DATE	QWY

This document is the property of JINPAT Electronics Co., Ltd (ShenZhen) (Hereafter "JINPAT"). It is lent and is to be returned upon request. The contents of this document are confidential and constitute trade secrets proprietary to JINPAT. Its contents document nor its contents shall be disclosed to any unauthorized person copied or published without JINPAT prior written consent.
COPY RIGHT © 2022 JINPAT ELECTRONICS Co., Ltd (ShenZhen).

R
18Circuits * 15A(240VAC)
|
AWG14# Teflon® UL



S

Electronic & Electric		Mechanical		
Circuits	Total	18 OUT	Working Speed	0-300rpm
	Detail	18/15A	Inner Diameter	φ150mm
Rating Voltage	240V AC/DC	Contact Material	Pre-tinned Metal	
Dielectric Strength	1000VAC/50Hz	Housing Material	Aluminum Alloy	
Insulation Resistance	>300MΩ/500VDC	Lead Wire Length	Stator:300mm Rotor:300mm	
Environment		Remarks		
Working Temperature	-20°C~+60°C	Application	/	
Working Humidity	20%~90%	Other	/	
IP	IP20	Note: "P" stands for power, "S" stands for signal.		


JINPAT
www.slipring.cn


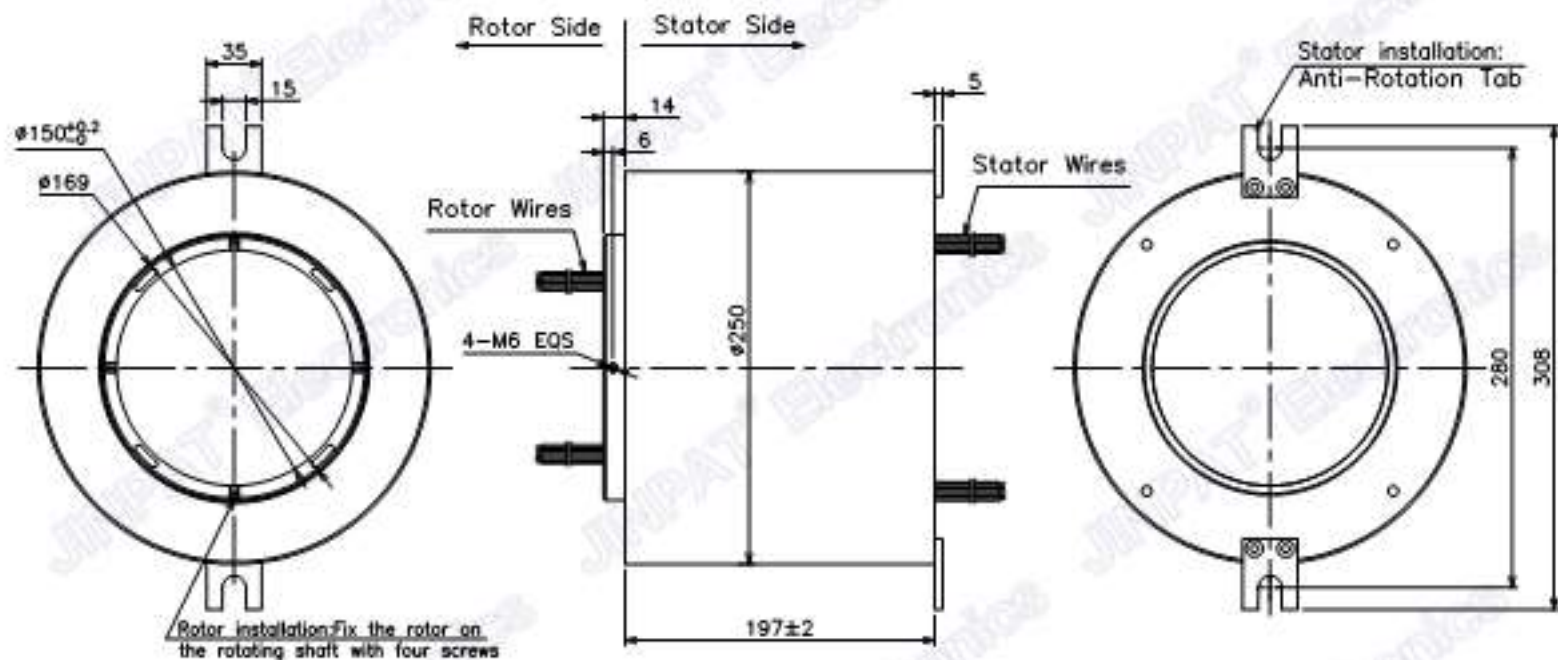
MODEL	LPT150-1815					
Customer code	XXX	TITLE	Wiring Diagram			
UNIT	mm	TOL UNLESS SPECIFIED	DESIGN	LOG	DATE	2022.02.21
SCALE	1:1	LINE 0-0.1 1:1 0.1-0.5 0.5 0.5-2.0 1:2 ANGLE +1 7.5	CHECKED	LWL	DATE	2022.02.21
PROJ.		REV.	AG	PAGE	2/2	

FIG.	文 号 符 号	图 号	版 次

This document is the property of JINPAT Electronics Co., Ltd (ShenZhen) (Hereafter "JINPAT"). It is lent and is to be returned upon request. The contents of this document are confidential and constitute trade secrets proprietary to JINPAT. Its contents document nor its contents shall be disclosed to any unauthorized person copied or published without JINPAT prior written consent.
COPY RIGHT © 2022 JINPAT ELECTRONICS Co., Ltd (ShenZhen).



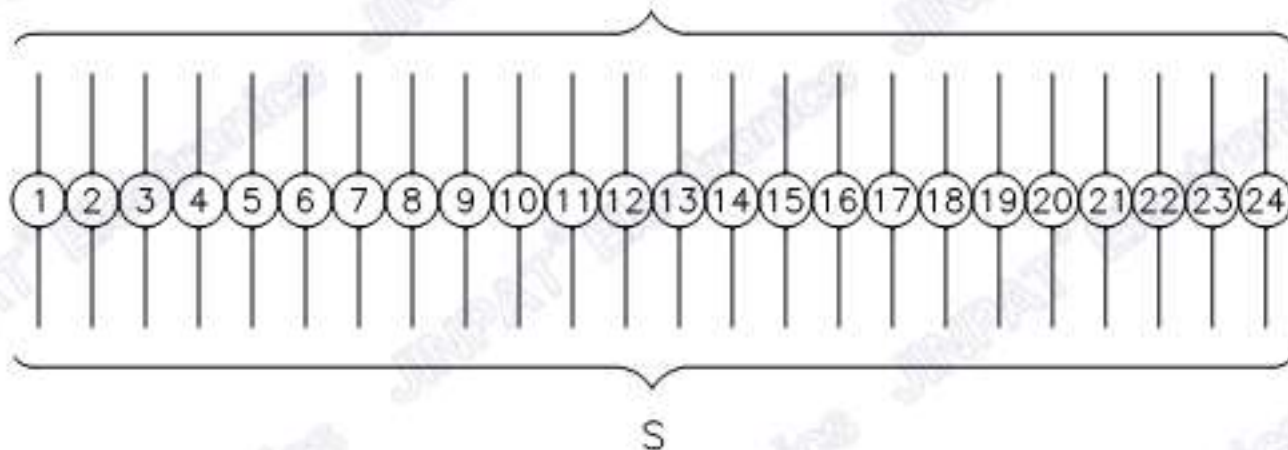
JINPAT
www.slipring.cn

MODEL	LPT150-2405						
Customer code	/		TITLE	Outline Drawing			
UNIT	mm	NO. VALUES SPECIFIED	DESIGN	LOG	DATE	2022.02.21	
SCALE	1:1	DESIGN 1-18-20 20.12 145-200 20.12 2022	CHECKED	LWL	DATE	2022.02.21	
PROJ.	←	REV.	AG	PAGE	1/2		

MARK	CONTENT OF MARKING	DATE	QWY

This document is the property of JINPAT Electronics Co., Ltd (ShenZhen) (Hereafter "JINPAT"). It is lent and is to be returned upon request. The contents of this document are confidential and constitute trade secrets proprietary to JINPAT. Its contents document nor its contents shall be disclosed to any unauthorized person copied or published without JINPAT prior written consent.
COPY RIGHT © 2022 JINPAT ELECTRONICS Co., Ltd (ShenZhen).

R
24Circuits * 5A(240VAC)
|
AWG22# Teflon® UL



Electronic & Electric		Mechanical		
Circuits	Total	24 CIR	Working Speed	0-300rpm
	Detail	5A/15A	Inner Diameter	φ150mm
Rating Voltage	240V AC/DC	Contact Material	Preformed Metal	
Dielectric Strength	1000VAC/50Hz	Housing Material	Aluminum Alloy	
Insulation Resistance	>300MΩ/500VDC	Lead Wire Length	Stator:300mm Rotor:300mm	
Environment		Remarks		
Working Temperature	-20°C~+80°C	Application	/	
Working Humidity	20%~90%	Other	/	
IP	IP50	Note: "V" stands for power, "S" stands for signal.		


JINPAT
www.slipring.cn


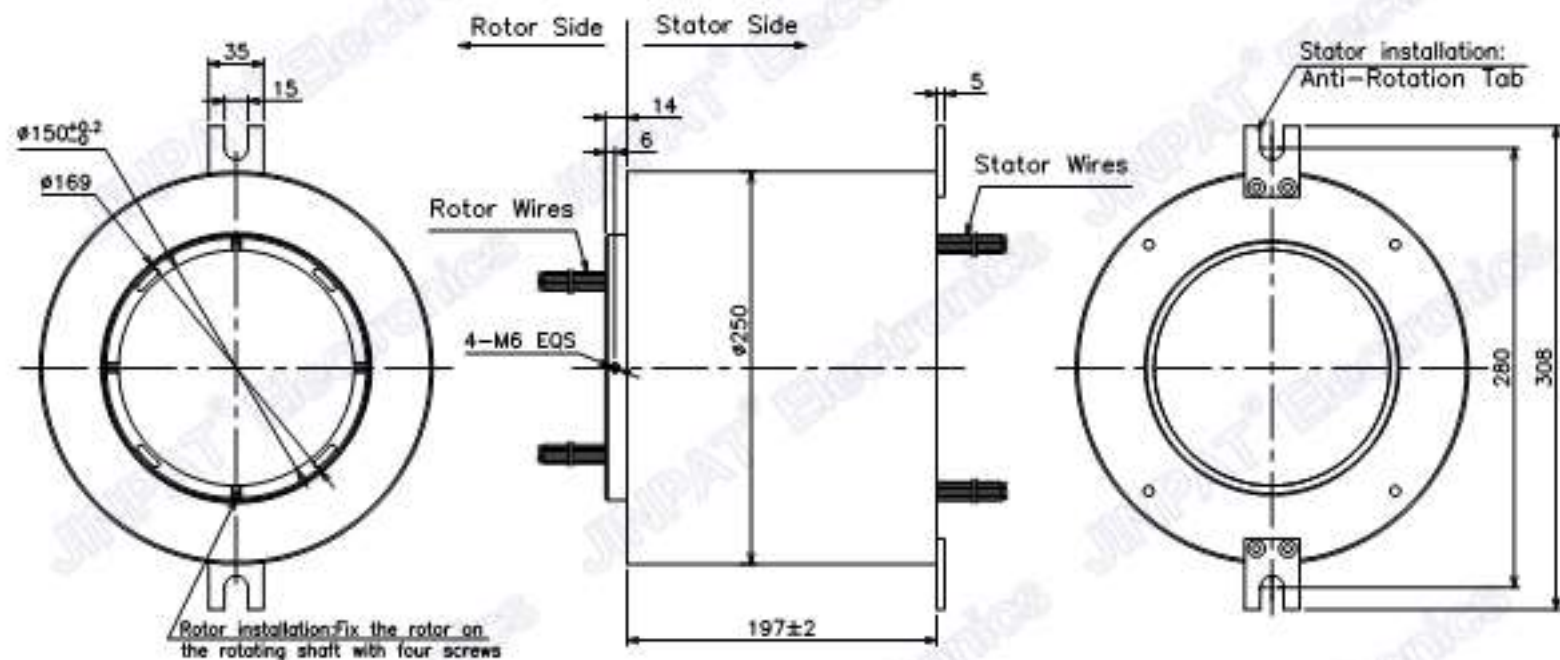
MODEL	LPT150-2405					
Customer code	/		TITLE	Wiring Diagram		
UNIT	mm	TOL UNLESS SPECIFIED	DESIGN	LOG	DATE	2022.02.21
SCALE	1:1	LINE 0--0.1 1:1 0.1--0.5 1:2 0.5--20 1:3 ANGLE +1 1:5	CHECKED	LWL	DATE	2022.02.21
PROJ.			REV.	AG	PAGE	2/2

FIG.	文号	图号	图次

This document is the property of JINPAT Electronics Co., Ltd (Shenzhen) (Hereafter "JINPAT"). It is lent and is to be returned upon request. The contents of this document are confidential and constitute trade secrets proprietary to JINPAT. Its contents document nor its contents shall be disclosed to any unauthorized person copied or published without JINPAT prior written consent.
COPY RIGHT © 2022 JINPAT ELECTRONICS Co., Ltd (Shenzhen).



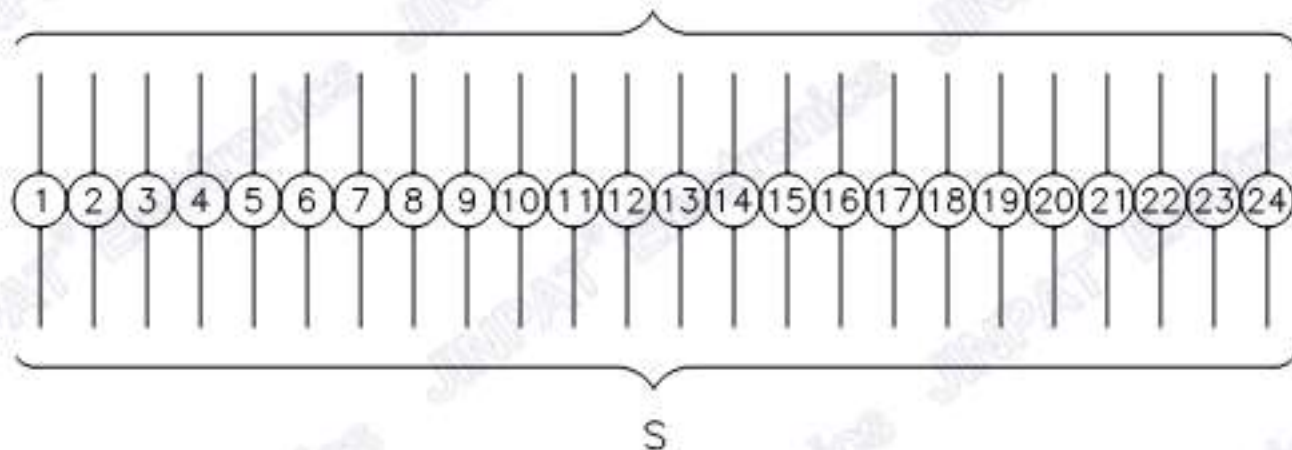
JINPAT
www.slipring.cn

MODEL	LPT150-2410						
Customer code	/		TITLE	Outline Drawing			
UNIT	mm	NO. VALUES SPECIFIED	DESIGN	LOG	DATE	2022.02.21	
SCALE	1:1	DESIGN 1-18-20 20.12 1-18-20 20.12 1-18-20 20.12	CHECKED	LWL	DATE	2022.02.21	
PROJ.		REV.	AG	PAGE	1/2		

MARK	CONTENT OF AMENDMENT	DATE	BY

This document is the property of JINPAT Electronics Co., Ltd (ShenZhen) (Hereafter "JINPAT"). It is lent and is to be returned upon request. The contents of this document are confidential and constitute trade secrets proprietary to JINPAT. Its contents document nor its contents shall be disclosed to any unauthorized person copied or published without JINPAT prior written consent.
COPY RIGHT © 2022 JINPAT ELECTRONICS Co., Ltd (ShenZhen).

R
24Circuits * 10A(240VAC)
|
AWG17# Teflon® UL



Electronic & Electric		Mechanical		
Circuits	Total	24 CIR	Working Speed	0-300rpm
	Detail	5&15A	Inner Diameter	φ150mm
Rating Voltage		240V AC/DC	Coilset Material	Precision Metal
Dielectric Strength		1000VAC/50Hz	Housing Material	Aluminum Alloy
Insulation Resistance		>300MΩ/500VDC	Lead Wire Length	Stator:300mm Rotor:300mm
Environment		Remarks		
Working Temperature		-20°C~+80°C	Application	/
Working Humidity		20%~90%	Other	/
IP	IP50		Note: "P" stands for power, "S" stands for signal.	


JINPAT
www.slipring.cn


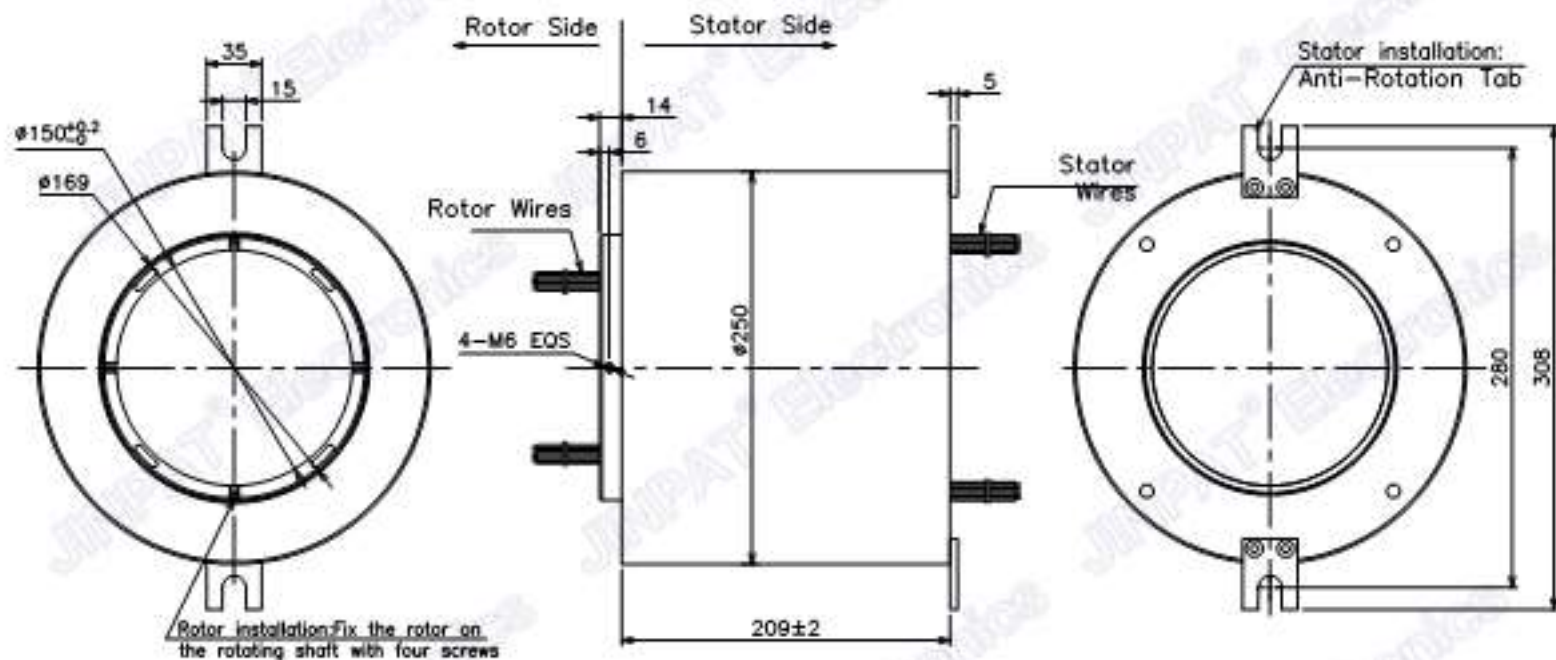
MODEL		LPT150-2410					
Customer code	/	TITLE		Wiring Diagram			
UNIT	mm	TOL UNLESS SPECIFIED		DESIGN	LOG	DATE	2022.02.21
SCALE	1:1	LINE 0--0.1 1:1 0.1--0.5 0.5 0.5--20 1:2 ANGLE +/- 7.5		CHECKED	LWL	DATE	2022.02.21
PROJ.		REV.	AG	PAGE	2/2		

FIG.	文 号 符 号	图 号	版 次

This document is the property of JINPAT Electronics Co., Ltd (ShenZhen) (Hereafter "JINPAT"). It is lent and is to be returned upon request. The contents of this document are confidential and constitute trade secrets proprietary to JINPAT. Its contents document nor its contents shall be disclosed to any unauthorized person copied or published without JINPAT prior written consent.
COPY RIGHT © 2022 JINPAT ELECTRONICS Co., Ltd (ShenZhen).



JINPAT
www.slipring.cn

MODEL	LPT150-2415						
Customer code	/		TITLE	Outline Drawing			
UNIT	mm	NO. VALUES SPECIFIED	DESIGN	LOG	DATE	2022.02.21	
SCALE	1:1	DESIGN 1-18-20 22.12 2-18-20 22.12 3-18-20 22.2	CHECKED	LWL	DATE	2022.02.21	
PROJ.	←	REV.	AG	PAGE	1/2		