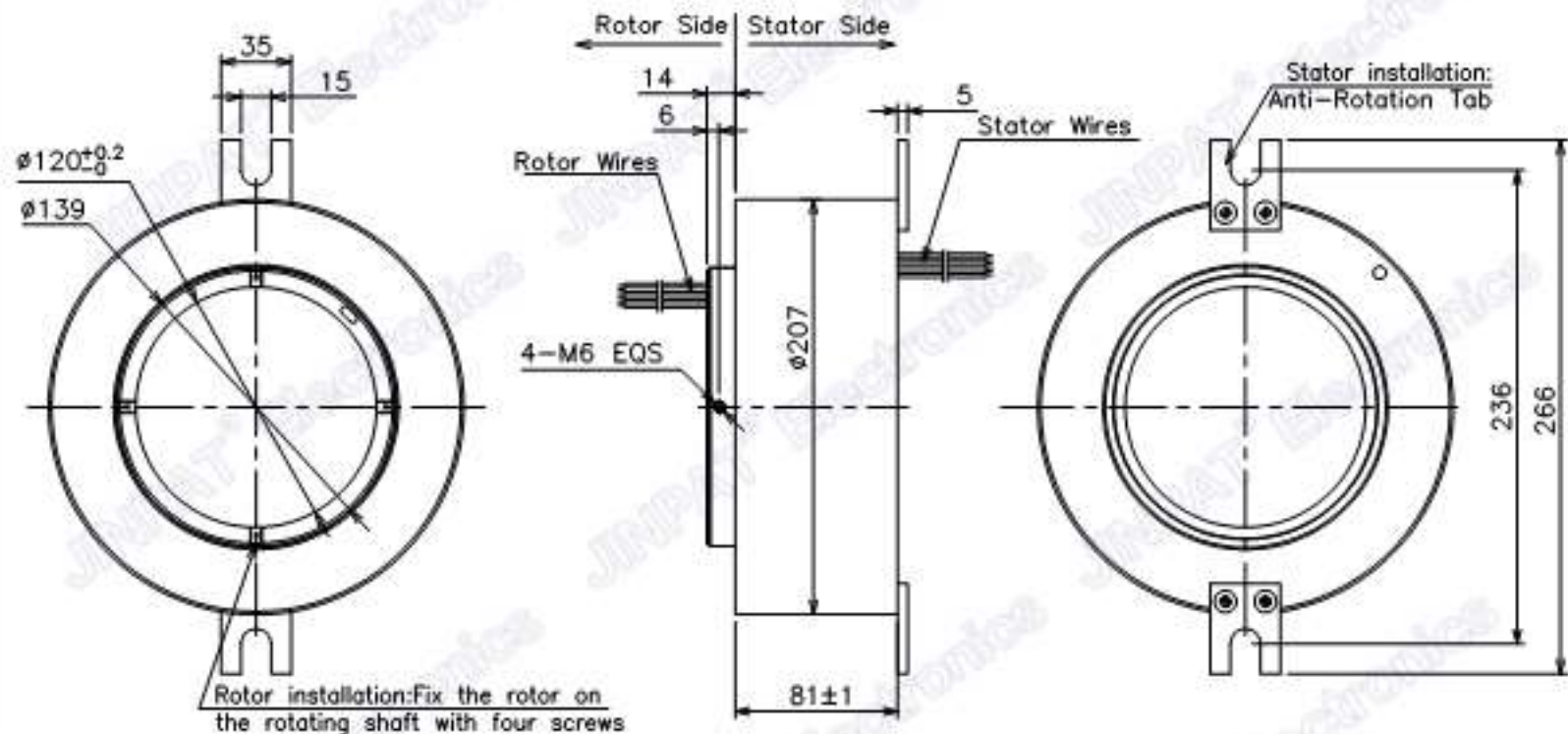


MARK	CONTENT OF AMENDMENT	DATE	DRW

This document is the property of JINPAT Electronics Co., Ltd (Shenzhen) (Hereafter "JINPAT"). It is lent and is to be returned upon request. The contents of this document are confidential and constitute trade secrets proprietary to JINPAT. Its contents document nor its contents shall be disclosed to any unauthorized person copied or published without JINPAT prior written consent.
COPY RIGHT © 2022 JINPAT ELECTRONICS Co., Ltd (Shenzhen).



JINPAT
www.slipring.cn

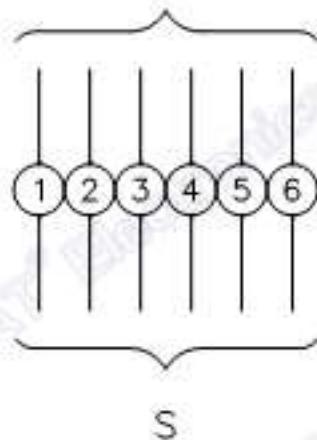
MODEL	LPT120-0605						
Customer code	/		TITLE	Outline Drawing			
UNIT	mm	NO. VALUES SPECIFIED	DESIGN	LXS	DATE	2022.02.15	
SCALE	1:1	DESIGN 2-18 3-18 145-200 012 4-18	CHECKED	LML	DATE	2022.02.15	
PROJ.	←	40.7	REV.	AG	PAGE	1/2	

MARK	CONTENT OF MARKING	DATE	QWY

This document is the property of JINPAT Electronics Co., Ltd (ShenZhen) (Hereafter "JINPAT"). It is lent and is to be returned upon request. The contents of this document are confidential and constitute trade secrets proprietary to JINPAT. Its contents document nor its contents shall be disclosed to any unauthorized person copied or published without JINPAT prior written consent.
COPY RIGHT © 2022 JINPAT ELECTRONICS Co., Ltd (ShenZhen).

R
6Circuits * 5A(240VAC)

AWG22# Teflon® UL



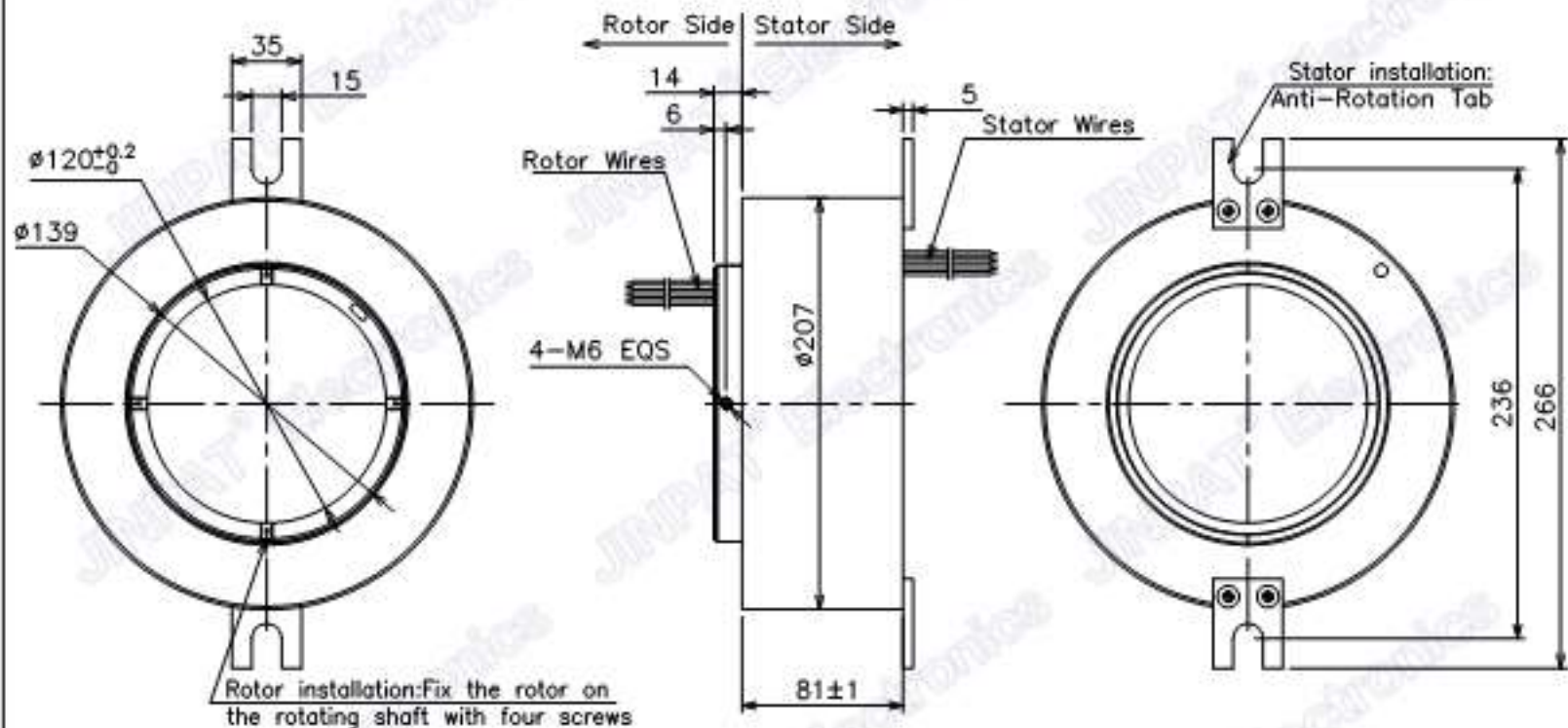
Electronic & Electric		Mechanical		
Circuits	Total	6 Ckt	Working Speed	0-300rpm
	Detail	6x6	Inner Diameter	φ135mm
Rating Voltage	240V AC/DC	Contact Material	Preformed Metal	
Dielectric Strength	1000VAC/50Hz	Housing Material	Aluminum Alloy	
Insulation Resistance	≥2000MΩ/500VDC	Lead Wire Length	Stator:300mm Rotor:300mm	
Environment		Remarks		
Working Temperature	-20°C~+85°C	Application	/	
Working Humidity	20%~90%	Other	/	
IP	IP20	Note: "V" stands for power, "S" stands for signal.		


JINPAT
www.slipring.cn

MODEL	LPT120-0605						
Customer code	XXX		TITLE	Wiring Diagram			
UNIT	mm	TOL UNLESS SPECIFIED	DESIGN	LOG	DATE	2022.02.15	
SCALE	1:1	LINE 1:1 DIM 1:2 ANGLE 1:2	CHECKED	LWL	DATE	2022.02.15	
PROJ.		ANGLE 1:2	REV.	AG	PAGE	2/2	

MARK	CONTENT OF AMENDMENT	DATE	DRW

This document is the property of JINPAT Electronics Co., Ltd (Shenzhen) (Hereafter "JINPAT"). It is lent and is to be returned upon request. The contents of this document are confidential and constitute trade secrets proprietary to JINPAT. Its contents document nor its contents shall be disclosed to any unauthorized person copied or published without JINPAT prior written consent.
COPY RIGHT © 2022 JINPAT ELECTRONICS Co., Ltd (Shenzhen).



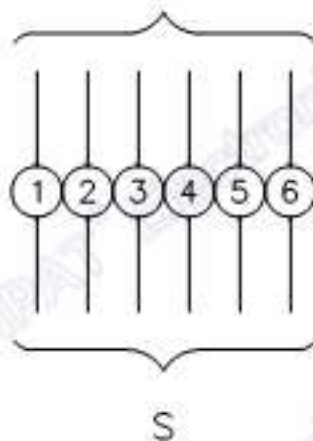
JINPAT
www.slipring.cn

MODEL	LPT120-0610						
Customer code	/		TITLE	Outline Drawing			
UNIT	mm	NO. VALUES SPECIFIED	DESIGN	LXS	DATE	2022.02.15	
SCALE	1:1	DESIGN 2-18 3-18 145-200 012 1-18 1-18 1-18	CHECKED	LML	DATE	2022.02.15	
PROJ.	←	1-18 1-18 1-18	REV.	AG	PAGE	1/2	

MARK	CONTENT OF MARKING	DATE	QWY


This document is the property of JINPAT Electronics Co., Ltd (ShenZhen) (Hereafter "JINPAT"). It is lent and is to be returned upon request. The contents of this document are confidential and constitute trade secrets proprietary to JINPAT. Its contents document nor its contents shall be disclosed to any unauthorized person copied or published without JINPAT prior written consent.
COPY RIGHT © 2022 JINPAT ELECTRONICS Co., Ltd (ShenZhen).

R
6路 * 10A(240VAC)
|
AWG17# 镀锡铁氟龙 • UL



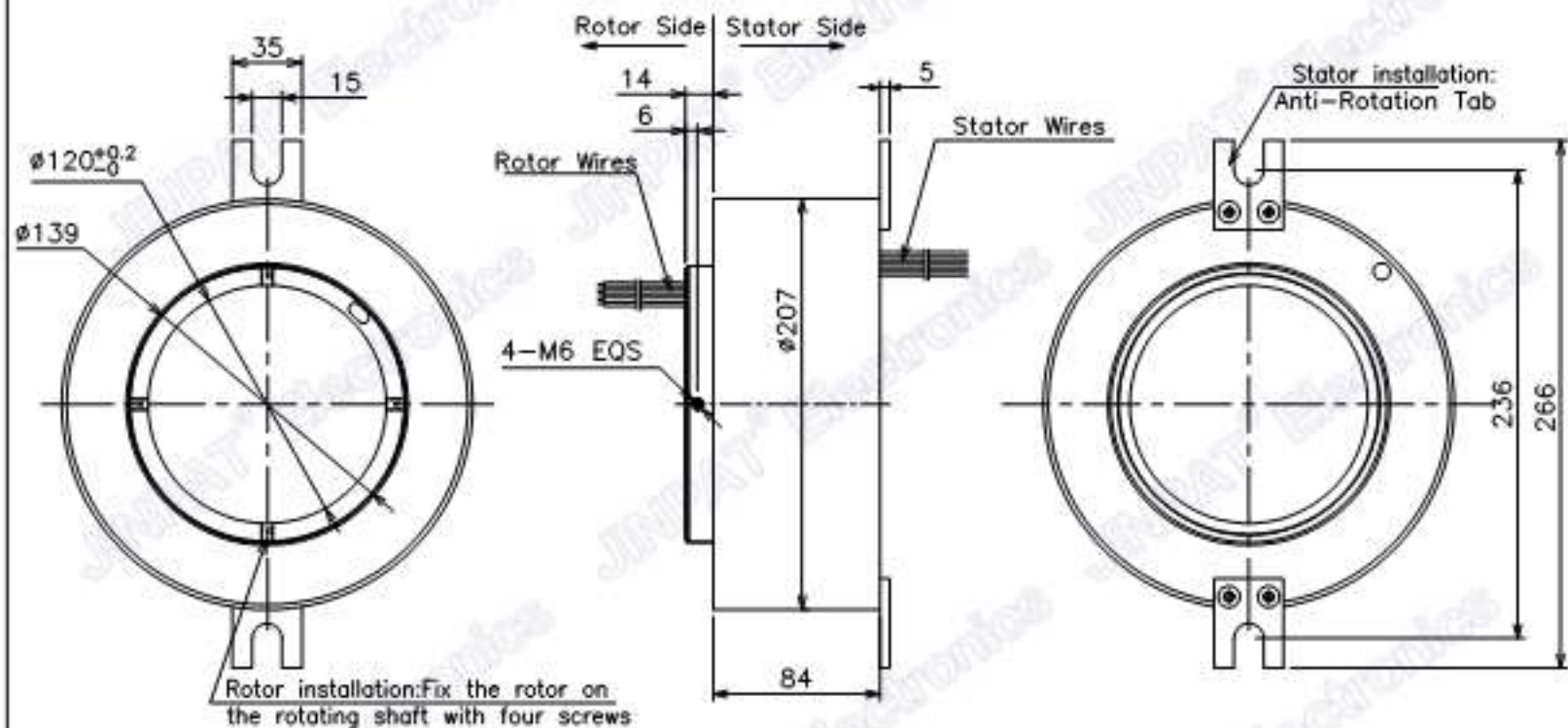
Electronic & Electric		Mechanical		
Circuits	Total	6 Core	Working Speed	0-300rpm
	Detail	6x15A	Inner Diameter	φ125mm
Rating Voltage	240V AC/DC	Contact Material	Preformed Metal	
Dielectric Strength	1000VAC/50Hz	Housing Material	Aluminum Alloy	
Insulation Resistance	≥2000MΩ/500VDC	Lead Wire Length	Stator:300mm Rotor:300mm	
Environment		Remarks		
Working Temperature	-20°C~+85°C	Application	/	
Working Humidity	20%~90%	Other	/	
IP	IP50	Note: "V" stands for power, "S" stands for signal.		


JINPAT
www.slipring.cn

MODEL	LPT120-0610					
Customer code	XXX	TITLE	Wiring Diagram			
UNIT	mm	TOL UNLESS SPECIFIED	DESIGN	LOG	DATE	2022.02.15
SCALE	1:1	LINE 0--0.1 1:1 0.1--0.5 0.5 0.5--2.0 1:2 ANGLE +1 7.5	CHECKED	LWL	DATE	2022.02.15
PROJ.			REV.	AG	PAGE	2/2

MARK	CONTENT OF AMENDMENT	DATE	DRW

This document is the property of JINPAT Electronics Co., Ltd (Shenzhen) (Hereafter "JINPAT"). It is lent and is to be returned upon request. The contents of this document are confidential and constitute trade secrets proprietary to JINPAT. Its contents document nor its contents shall be disclosed to any unauthorized person copied or published without JINPAT prior written consent.
COPY RIGHT © 2022 JINPAT ELECTRONICS Co., Ltd (Shenzhen).

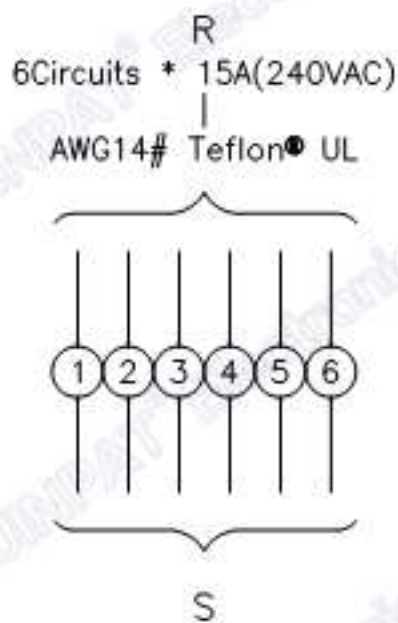


JINPAT
www.slipring.cn

MODEL	LPT120-0615						
Customer code	/		TITLE	Outline Drawing			
UNIT	mm	NO. VALUES SPECIFIED	DESIGN	LYS	DATE	2022.02.15	
SCALE	1:1	DESIGN 1-18 1-19 1-20 1-21 1-22 1-23 1-24 1-25 1-26 1-27 1-28 1-29 1-30 1-31 1-32 1-33 1-34 1-35 1-36 1-37 1-38 1-39 1-40 1-41 1-42 1-43 1-44 1-45 1-46 1-47 1-48 1-49 1-50 1-51 1-52 1-53 1-54 1-55 1-56 1-57 1-58 1-59 1-60 1-61 1-62 1-63 1-64 1-65 1-66 1-67 1-68 1-69 1-70 1-71 1-72 1-73 1-74 1-75 1-76 1-77 1-78 1-79 1-80 1-81 1-82 1-83 1-84 1-85 1-86 1-87 1-88 1-89 1-90 1-91 1-92 1-93 1-94 1-95 1-96 1-97 1-98 1-99 1-100	CHECKED	LML	DATE	2022.02.15	
PROJ.			REV.	AG	PAGE	1/2	

MARK	CONTENT OF MARKING	DATE	QWY

This document is the property of JINPAT Electronics Co., Ltd (ShenZhen) (Hereafter "JINPAT"). It is lent and is to be returned upon request. The contents of this document are confidential and constitute trade secrets proprietary to JINPAT. Its contents document nor its contents shall be disclosed to any unauthorized person copied or published without JINPAT prior written consent.
COPY RIGHT © 2022 JINPAT ELECTRONICS Co., Ltd (ShenZhen).



Electronic & Electric		Mechanical		
Circuits	Total	6 Ckt	Working Speed	0-300rpm
	Detail	6x15A	Inner Diameter	φ130mm
Rating Voltage		240V AC/DC	Contact Material	Preformed Metal
Dielectric Strength		1000VAC/50Hz	Housing Material	Aluminum Alloy
Insulation Resistance		≥200MΩ/500VDC	Lead Wire Length	Stator:300mm Rotor:300mm
Environment		Remarks		
Working Temperature		-20°C~+60°C	Application	/
Working Humidity		20%~80%	Other	/
IP	IP20			Note: "V" stands for power, "S" stands for signal.

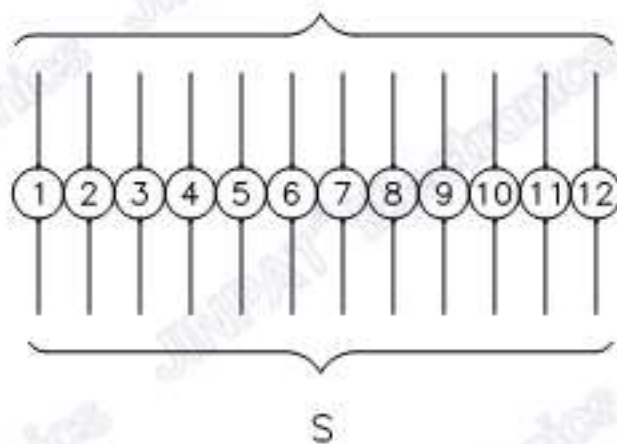

JINPAT
www.silpring.cn

MODEL	LPT120-0615					
Customer code	XXX		TITLE	Wiring Diagram		
UNIT	mm	TOL UNLESS SPECIFIED	DESIGN	LOG	DATE	2022.02.15
SCALE	1:1	LINE 0-0.1 1:1 0.1-0.5 0.5 0.5-2.0 1:2 2.0-5.0 1:5 ANGLE 1:5	CHECKED	LWL	DATE	2022.02.15
PROJ.		REV.	AG	PAGE	2/2	

MARK	CONTENT OF MARKING	DATE	QWY


This document is the property of JINPAT Electronics Co., Ltd (ShenZhen) (Hereafter "JINPAT"). It is lent and is to be returned upon request. The contents of this document are confidential and constitute trade secrets proprietary to JINPAT. Its contents document nor its contents shall be disclosed to any unauthorized person copied or published without JINPAT prior written consent.
COPY RIGHT © 2022 JINPAT ELECTRONICS Co., Ltd (ShenZhen).

R
12Circuits * 5A(240VAC)
|
AWG22# Teflon® UL



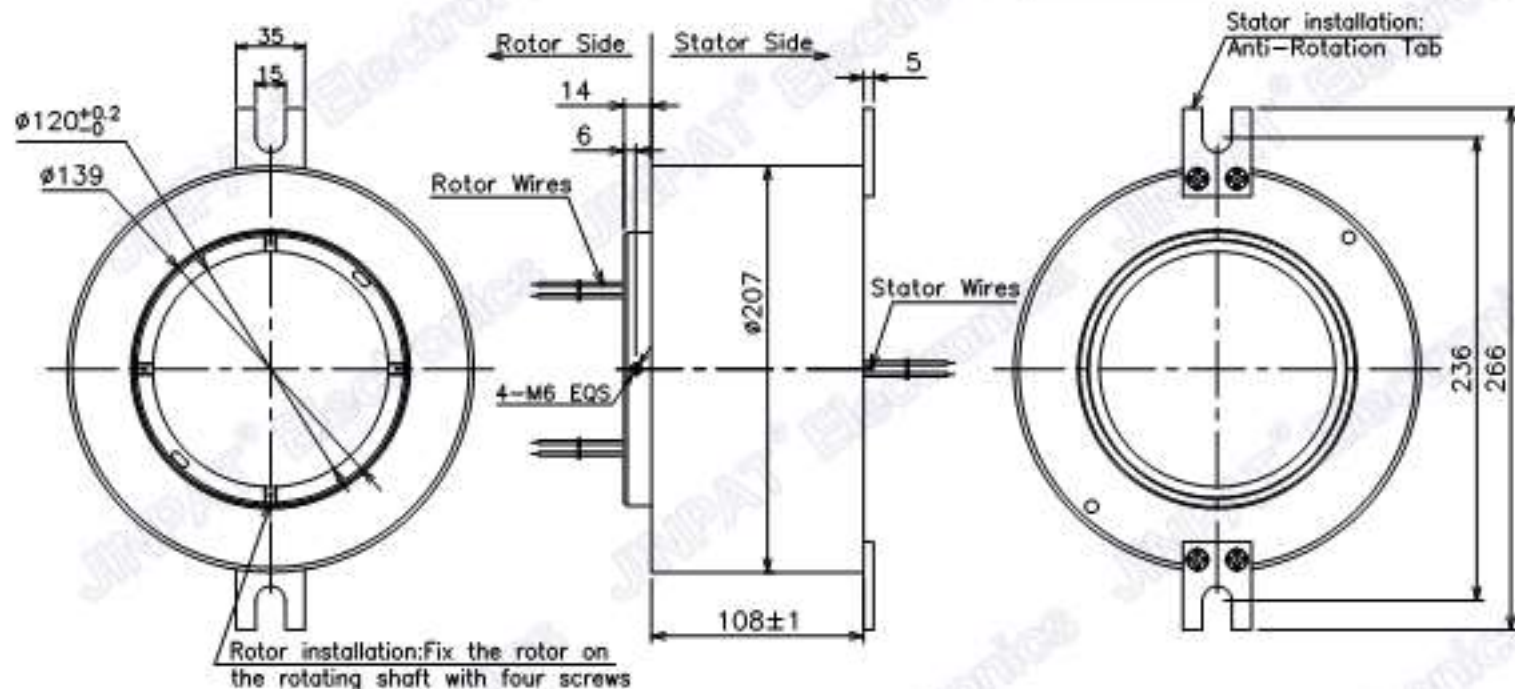
Electronic & Electric		Mechanical		
Circuits	Total	12 Ckt	Working Speed	0-300rpm
	Detail	12/5A	Inner Diameter	φ120mm
Rating Voltage	240V AC/DC	Contact Material	Preformed Metal	
Dielectric Strength	1000VAC/50Hz	Housing Material	Aluminum Alloy	
Insulation Resistance	≥200MΩ/500VDC	Lead Wire Length	Stator:300mm Rotor:300mm	
Environment		Remarks		
Working Temperature	-20°C~+80°C	Application	/	
Working Humidity	≤95%RH	Other	/	
IP	IP50	Note: "V" stands for power, "S" stands for signal.		


JINPAT
www.slipring.cn

MODEL	LPT150-1205						
Customer code	/		TITLE	Wiring Diagram			
UNIT	mm	TOL UNLESS SPECIFIED	DESIGN	LOG	DATE	2022.02.15	
SCALE	1:1	LINE 0--0.1 1:1 0.1--0.5 0.5 0.5--2.0 1:2 ANGLE +1 7.5	CHECKED	LWL	DATE	2022.02.15	
PROJ.			REV.	AG	PAGE	2/2	

NO.	CONTENT OF AMENDMENT	DATE	DRAW

This document is the property of JINPAT Electronics Co., Ltd (ShenZhen) (Hereafter "JINPAT"). It is lent and is to be returned upon request. The contents of this document are confidential and constitute trade secrets proprietary to JINPAT. Its contents document nor its contents shall be disclosed to any unauthorized person copied or published without JINPAT prior written consent.
COPY RIGHT © 2022 JINPAT ELECTRONICS Co., Ltd (ShenZhen).



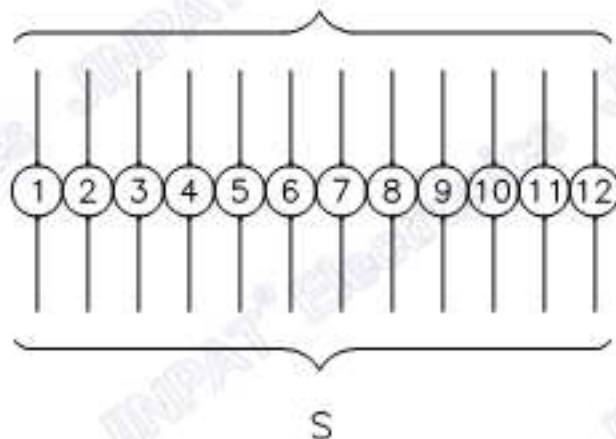
JINPAT
www.silpring.cn

MODEL	LPT120-1210						
Customer code	/		TITLE	Outline Drawing			
UNIT	mm	NO. WHEN REVISED 1-10 001 11-20 002 21-30 003 31-40 004 41-50 005 51-60 006 61-70 007 71-80 008 81-90 009 91-100 010	DESIGN	LIB	DATE	2022.02.15	
SCALE	1:1		CHECKED	LM	DATE	2022.02.15	
PROJ.	←		REV.	AO	PAGE	1/2	

MARK	CONTENT OF MARKING	DATE	QWY


This document is the property of JINPAT Electronics Co., Ltd (ShenZhen) (Hereafter "JINPAT"). It is lent and is to be returned upon request. The contents of this document are confidential and constitute trade secrets proprietary to JINPAT. Its contents document nor its contents shall be disclosed to any unauthorized person copied or published without JINPAT prior written consent.
COPY RIGHT © 2022 JINPAT ELECTRONICS Co., Ltd (ShenZhen).

R
12Circuits * 10A(240VAC)
|
AWG17# Teflon® UL



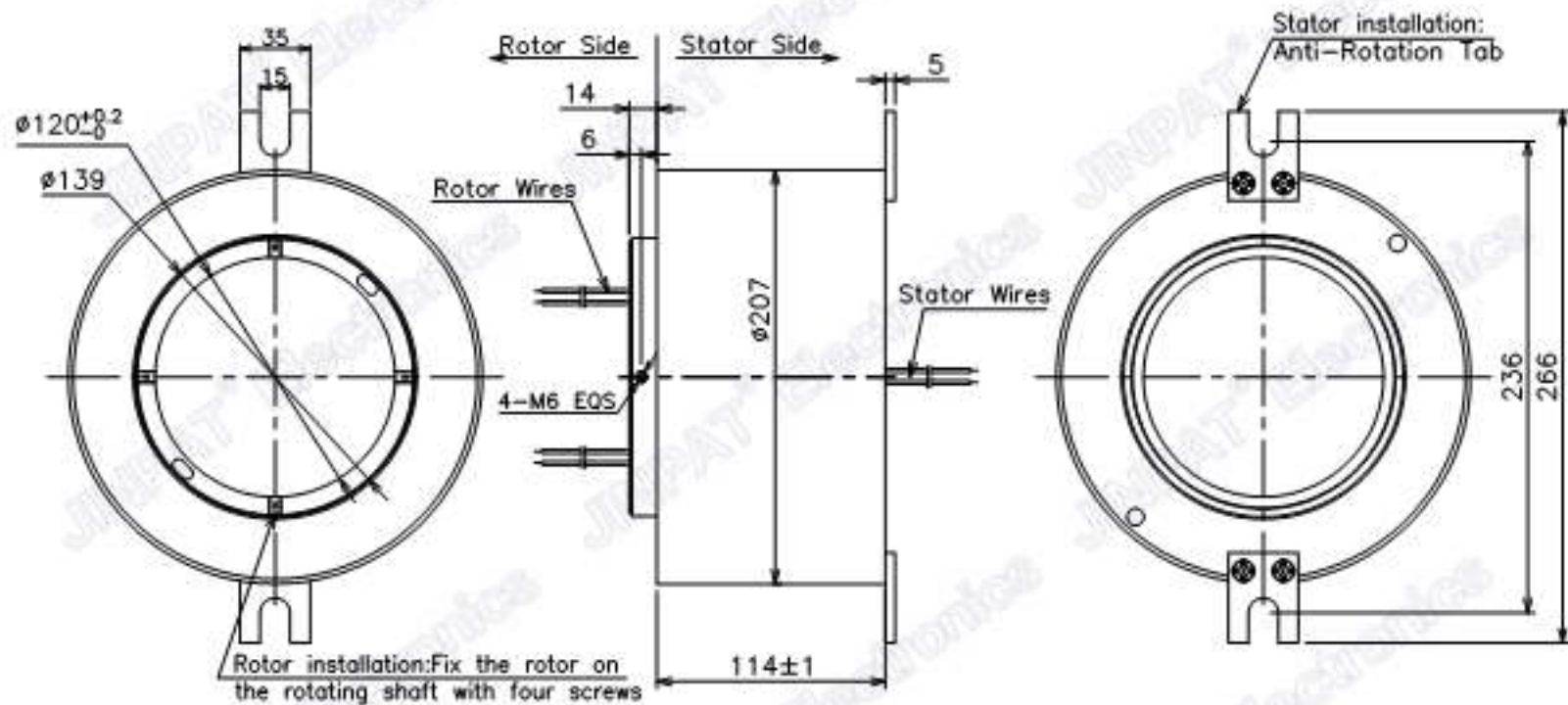
Electronic & Electric		Mechanical		
Circuits	Total	12 CIR	Working Speed	0-300rpm
	Detail	12x16A	Inner Diameter	φ120mm
Rating Voltage	240V AC/DC	Contact Material	Preformed Metal	
Dielectric Strength	1000VAC/50Hz	Housing Material	Aluminum Alloy	
Insulation Resistance	≥200MΩ/500VDC	Lead Wire Length	Stator:300mm Rotor:300mm	
Environment		Remarks		
Working Temperature	-20°C~+85°C	Application	/	
Working Humidity	20%~95%	Other	/	
IP	IP50	Note: "P" stands for power, "S" stands for signal.		


JINPAT
www.slipring.cn

MODEL	LPT150-1210						
Customer code	/		TITLE	Wiring Diagram			
UNIT	mm	TOL UNLESS SPECIFIED	DESIGN	LOG	DATE	2022.02.15	
SCALE	1:1	LINE 0--0.1 1:1 0.1--0.5 0.5 0.5--2.0 1:2 ANGLE +1 7.5	CHECKED	LWL	DATE	2022.02.15	
PROJ.			REV.	AG	PAGE	2/2	

MARK	CONTENT OF AMENDMENT	DATE	BY

This document is the property of JINPAT Electronics Co., Ltd (ShenZhen) (Hereafter "JINPAT"). It is lent and is to be returned upon request. The contents of this document are confidential and constitute trade secrets proprietary to JINPAT. Its contents document nor its contents shall be disclosed to any unauthorized person copied or published without JINPAT prior written consent.
COPY RIGHT © 2022 JINPAT ELECTRONICS Co., Ltd (ShenZhen).



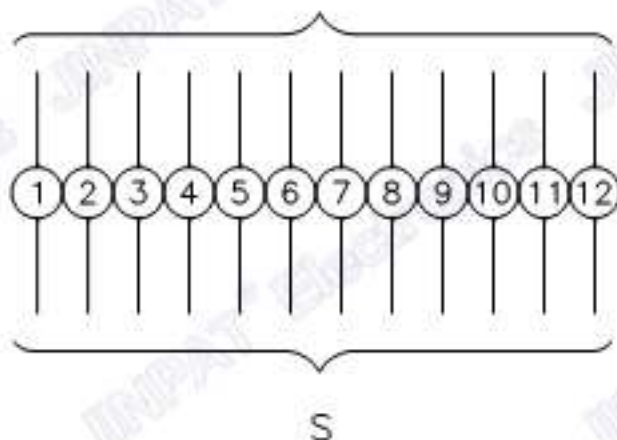
JINPAT
www.slipring.cn

MODEL	LPT120-1215						
Customer code	/		TITLE	Outline Drawing			
UNIT	mm	NO. VALUES SPECIFIED	DESIGN	LYS	DATE	2022.02.15	
SCALE	1:1	DESIGN 1-18 1-18-00 1-18-00-002	CHECKED	LML	DATE	2022.02.15	
PROJ.	←	REV.	AG	PAGE	1/2		

MARK	CONTENT OF MARKING	DATE	QWY

This document is the property of JINPAT Electronics Co., Ltd (ShenZhen) (Hereafter "JINPAT"). It is lent and is to be returned upon request. The contents of this document are confidential and constitute trade secrets proprietary to JINPAT. Its contents document nor its contents shall be disclosed to any unauthorized person copied or published without JINPAT prior written consent.
COPY RIGHT © 2022 JINPAT ELECTRONICS Co., Ltd (ShenZhen).

R
12Circuits * 15A(240VAC)
|
AWG14# Teflon● UL



Electronic & Electric		Mechanical		
Circuits	Total	12 CIR	Working Speed	0-300rpm
	Detail	12x15A	Inner Diameter	ø120mm
Rating Voltage		240V AC/DC	Contact Material	Precision Metal
Dielectric Strength		1000VAC/50Hz	Housing Material	Aluminum Alloy
Insulation Resistance		≥200MΩ/500VDC	Lead Wire Length	Stator:300mm Rotor:300mm
Environment		Remarks		
Working Temperature		-20°C~+80°C	Application	/
Working Humidity		20%~95%	Other	/
IP	IP20			Note: "V" stands for power, "S" stands for signal.

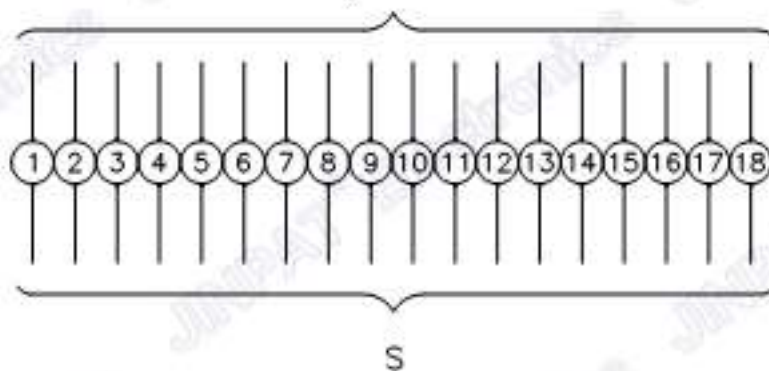

JINPAT
www.spring.cn

MODEL		LPT150-1215					
Customer code	/	TITLE		Wiring Diagram			
UNIT	mm	TOL UNLESS SPECIFIED		DESIGN	LOG	DATE	2022.02.15
SCALE	1:1	LINE 0--0.1 1:1 0.1--0.5 0.5 0.5--2.0 1:2 ANGLE +1 7.5		CHECKED	LWL	DATE	2022.02.15
PROJ.		REV.	AG	PAGE	2/2		

MARK	CONTENT OF MARKING	DATE	QTY


This document is the property of JINPAT Electronics Co., Ltd (ShenZhen) (Hereafter "JINPAT"). It is lent and is to be returned upon request. The contents of this document are confidential and constitute trade secrets proprietary to JINPAT. Its contents document nor its contents shall be disclosed to any unauthorized person copied or published without JINPAT prior written consent.
COPY RIGHT © 2022 JINPAT ELECTRONICS Co., Ltd (ShenZhen).

R
18Circuits * 5A(240VAC)
|
AWG22# Teflon® UL



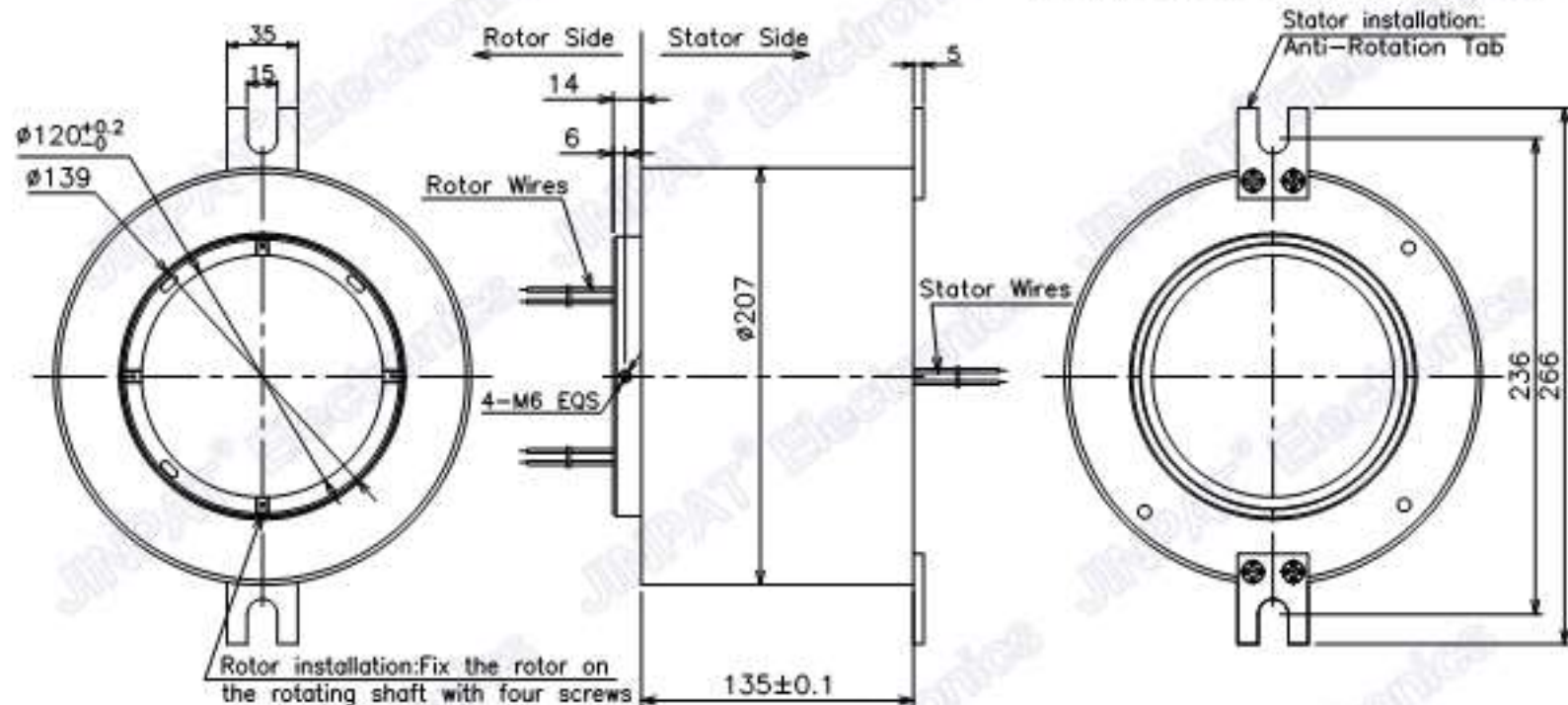
Electronic & Electric		Mechanical		
Circuits	Total	18 Ckt	Working Speed	0-300rpm
	Detail	18/5A	Inner Diameter	φ120mm
Rating Voltage	240V AC/DC	Contact Material	Preformed Metal	
Dielectric Strength	1000VAC/50Hz	Housing Material	Aluminum Alloy	
Insulation Resistance	≥200MΩ/500VDC	Lead Wire Length	Stator:300mm Rotor:300mm	
Environment		Remarks		
Working Temperature	-20°C~+85°C	Application	/	
Working Humidity	20%~90%	Other	/	
IP	IP50	Note: "P" stands for power, "S" stands for signal.		


JINPAT
www.slipring.cn

MODEL	LPT150-1805						
Customer code	/		TITLE	Wiring Diagram			
UNIT	mm	TOL UNLESS SPECIFIED	DESIGN	LOG	DATE	2022.02.15	
SCALE	1:1	LINE 0-0.15 1:1 0.15-0.5 1:2 0.5-2.0 1:2 ANGLE +1 7.5	CHECKED	LWL	DATE	2022.02.15	
PROJ.			REV.	AG	PAGE	2/2	

MARK	CONTENT OF AMENDMENT	DATE	BY

This document is the property of JINPAT Electronics Co., Ltd (ShenZhen) (Hereafter "JINPAT"). It is lent and is to be returned upon request. The contents of this document are confidential and constitute trade secrets proprietary to JINPAT. Its contents document nor its contents shall be disclosed to any unauthorized person copied or published without JINPAT prior written consent.
COPY RIGHT © 2022 JINPAT ELECTRONICS Co., Ltd (ShenZhen).



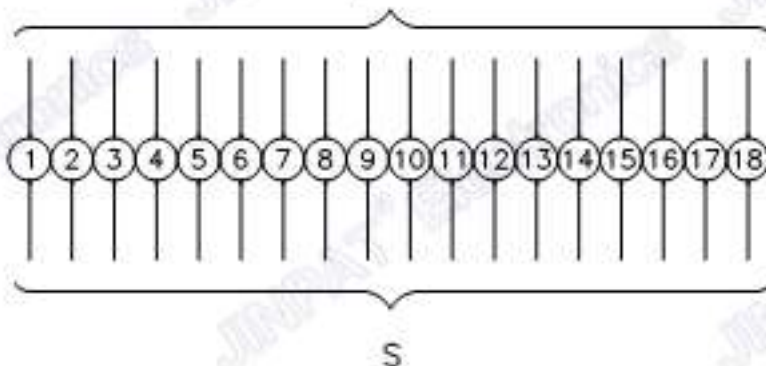
JINPAT
www.slipring.cn

MODEL	LPT120-1810						
Customer code	/		TITLE	Outline Drawing			
UNIT	mm	NO. VALUES SPECIFIED	DESIGN	LYS	DATE	2022.02.15	
SCALE	1:1	DESIGN 1-18 00.1 18-30 00.15 30-50 00.2 50-70 00.2	CHECKED	LML	DATE	2022.02.15	
PROJ.	←	REV.	AG	PAGE	1/2		

MARK	CONTENT OF MARKING	DATE	QTY


This document is the property of JINPAT Electronics Co., Ltd (Shenzhen) (Hereafter "JINPAT"). It is lent and is to be returned upon request. The contents of this document are confidential and constitute trade secrets proprietary to JINPAT. Its contents document nor its contents shall be disclosed to any unauthorized person copied or published without JINPAT prior written consent.
COPY RIGHT © 2022 JINPAT ELECTRONICS Co., Ltd (Shenzhen).

R
18Circuits * 10A(240VAC)
|
AWG17# Teflon® UL



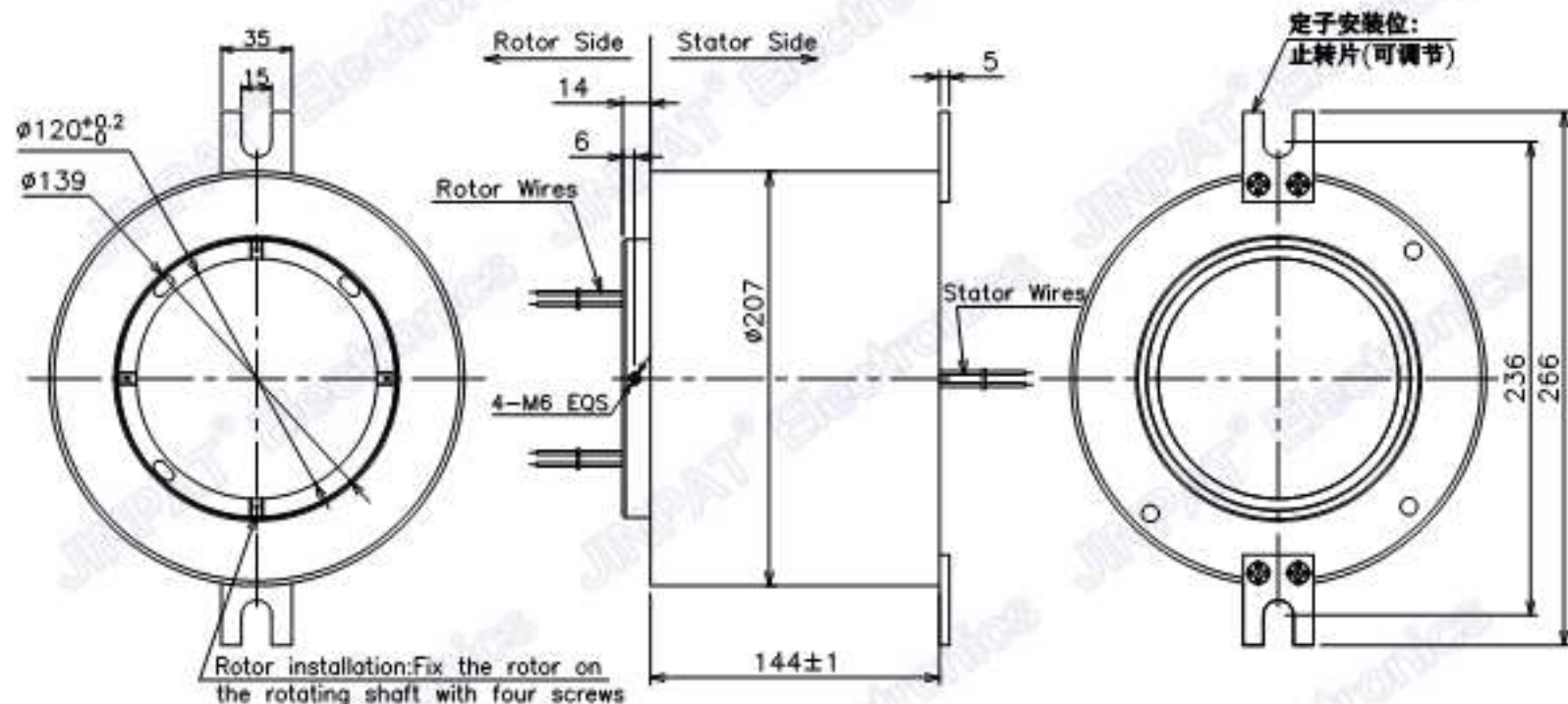
Electronic & Electric		Mechanical		
Circuits	Total	18 Ckt	Working Speed	0-300rpm
	Detail	18x18A	Inner Diameter	φ120mm
Rating Voltage	240V AC/DC	Contact Material	Preformed Metal	
Dielectric Strength	1000VAC/50Hz	Housing Material	Aluminum Alloy	
Insulation Resistance	≥2000MΩ/500VDC	Lead Wire Length	Stator:300mm Rotor:300mm	
Environment		Remarks		
Working Temperature	-20°C~+80°C	Application	/	
Working Humidity	≤95%RH	Other	/	
IP	IP20	Note: "V" stands for power, "S" stands for signal.		


JINPAT
www.slipring.cn

MODEL	LPT150-1810						
Customer code	/		TITLE	Wiring Diagram			
UNIT	mm	TOL UNLESS SPECIFIED	DESIGN	LOG	DATE	2022.02.15	
SCALE	1:1	LINE 0--0.1 1:1 0.1--0.5 0.5 0.5--2.0 1:2 ANGLE +1 7.5	CHECKED	LWL	DATE	2022.02.15	
PROJ.			REV.	AG	PAGE	2/2	

MARK	CONTENT OF AMENDMENT	DATE	BY

This document is the property of JINPAT Electronics Co., Ltd (ShenZhen) (Hereafter "JINPAT"). It is lent and is to be returned upon request. The contents of this document are confidential and constitute trade secrets proprietary to JINPAT. Its contents document nor its contents shall be disclosed to any unauthorized person copied or published without JINPAT prior written consent.
COPY RIGHT © 2022 JINPAT ELECTRONICS Co., Ltd (ShenZhen).

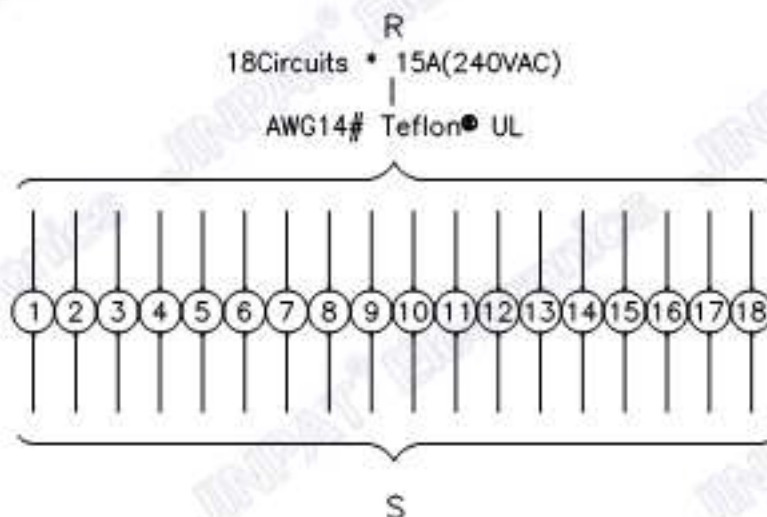


JINPAT
www.slipring.cn

MODEL	LPT120-1815						
Customer code	/		TITLE	Outline Drawing			
UNIT	mm	NO. VALUES SPECIFIED	DESIGN	LYS	DATE	2022.02.15	
SCALE	1:1	DESIGN 1-18 19-20 21-22 23-24 25-26 27-28 29-30 31-32 33-34 35-36 37-38 39-40 41-42 43-44 45-46 47-48 49-50 51-52 53-54 55-56 57-58 59-60 61-62 63-64 65-66 67-68 69-70 71-72 73-74 75-76 77-78 79-80 81-82 83-84 85-86 87-88 89-90 91-92 93-94 95-96 97-98 99-100	CHECKED	LML	DATE	2022.02.15	
PROJ.	←	→	REV.	AG	PAGE	1/2	


MARK	CONTENT OF MARKING	DATE	QTY

This document is the property of JINPAT Electronics Co., Ltd (Shenzhen) (Hereafter "JINPAT"). It is lent and is to be returned upon request. The contents of this document are confidential and constitute trade secrets proprietary to JINPAT. Its contents document nor its contents shall be disclosed to any unauthorized person copied or published without JINPAT prior written consent.
COPY RIGHT © 2022 JINPAT ELECTRONICS Co., Ltd (Shenzhen).



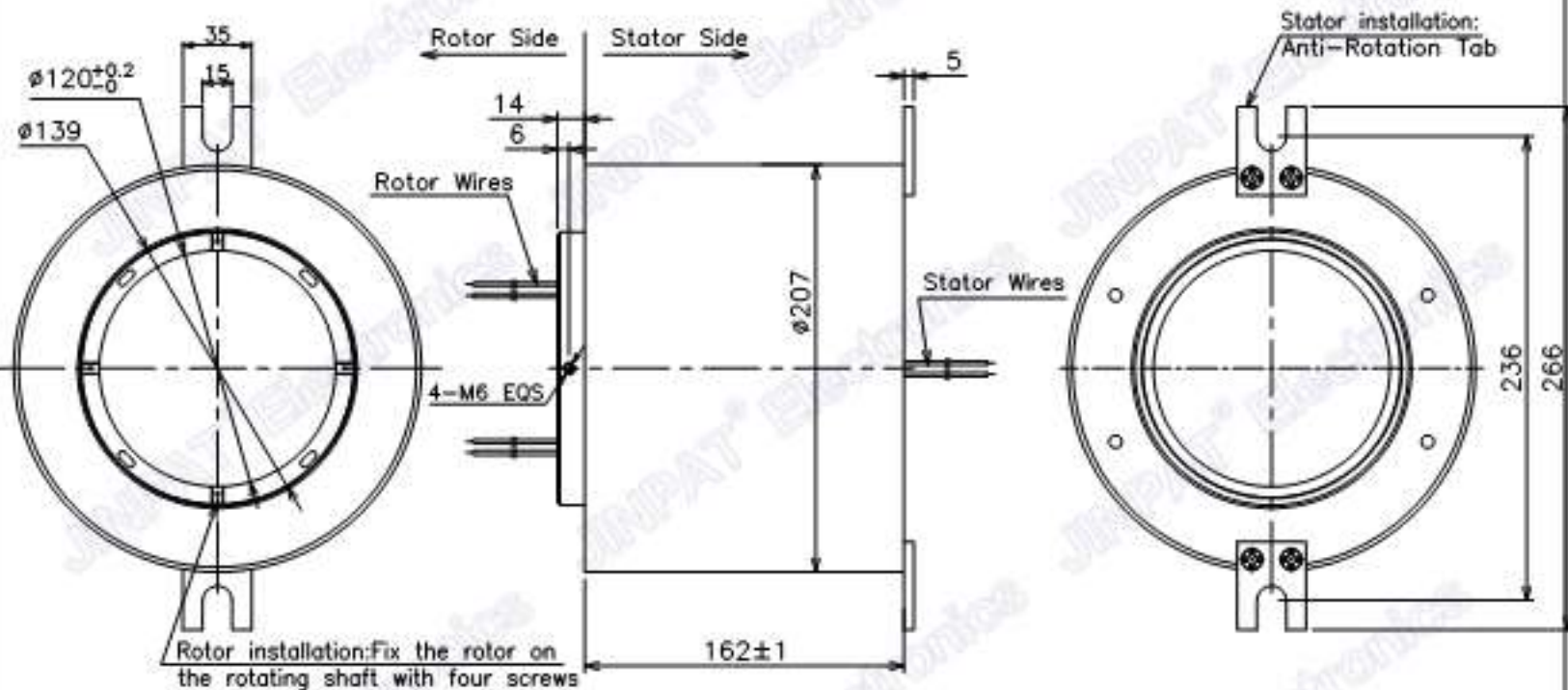
Electronic & Electric		Mechanical		
Circuits	Total	18 OUT	Working Speed	0-300rpm
	Detail	18x15A	Inner Diameter	ø120mm
Rating Voltage	240V AC/DC	Contact Material	Preformed Metal	
Dielectric Strength	1000VAC/50Hz	Housing Material	Aluminum Alloy	
Insulation Resistance	≥2000MΩ/500VDC	Lead Wire Length	Stator:300mm Rotor:300mm	
Environment		Remarks		
Working Temperature	-20°C~+60°C	Application	/	
Working Humidity	20%~95%	Other	/	
IP	IP50	Note: "P" stands for power, "S" stands for signal.		


JINPAT
www.slipring.cn

MODEL	LPT150-1815						
Customer code	/		TITLE	Wiring Diagram			
UNIT	mm	TOL UNLESS SPECIFIED	DESIGN	LOG	DATE	2022.02.15	
SCALE	1:1	LINE 0--0.1 1:1 0.1--0.5 0.5 0.5--2.0 1:2 ANGLE +1 7.5	CHECKED	LWL	DATE	2022.02.15	
PROJ.			REV.	AG	PAGE	2/2	

MARK	CONTENT OF AMENDMENT	DATE	BY

This document is the property of JINPAT Electronics Co., Ltd (ShenZhen) (Hereafter "JINPAT"). It is lent and is to be returned upon request. The contents of this document are confidential and constitute trade secrets proprietary to JINPAT. Its contents document nor its contents shall be disclosed to any unauthorized person copied or published without JINPAT prior written consent.
COPY RIGHT © 2022 JINPAT ELECTRONICS Co., Ltd (ShenZhen).



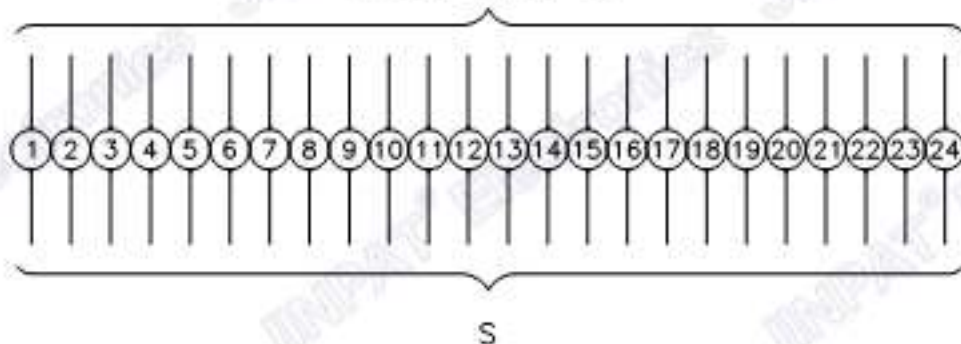
JINPAT
www.slipring.cn

MODEL	LPT120-2405						
Customer code	/		TITLE	Outline Drawing			
UNIT	mm	NO. VALUES SPECIFIED	DESIGN	LYS	DATE	2022.02.15	
SCALE	1:1	DESIGN 1-18 19-30 31-50 51-60 61-70 71-80 81-90 91-100	CHECKED	LML	DATE	2022.02.15	
PROJ.			REV.	AG	PAGE	1/2	

MARK	CONTENT OF MARKING	DATE	QTY


This document is the property of JINPAT Electronics Co., Ltd (Shenzhen) (Hereafter "JINPAT"). It is lent and is to be returned upon request. The contents of this document are confidential and constitute trade secrets proprietary to JINPAT. Its contents document nor its contents shall be disclosed to any unauthorized person copied or published without JINPAT prior written consent.
COPY RIGHT © 2022 JINPAT ELECTRONICS Co., Ltd (Shenzhen).

R
24Circuits * 5A(240VAC)
|
AWG22# Teflon® UL



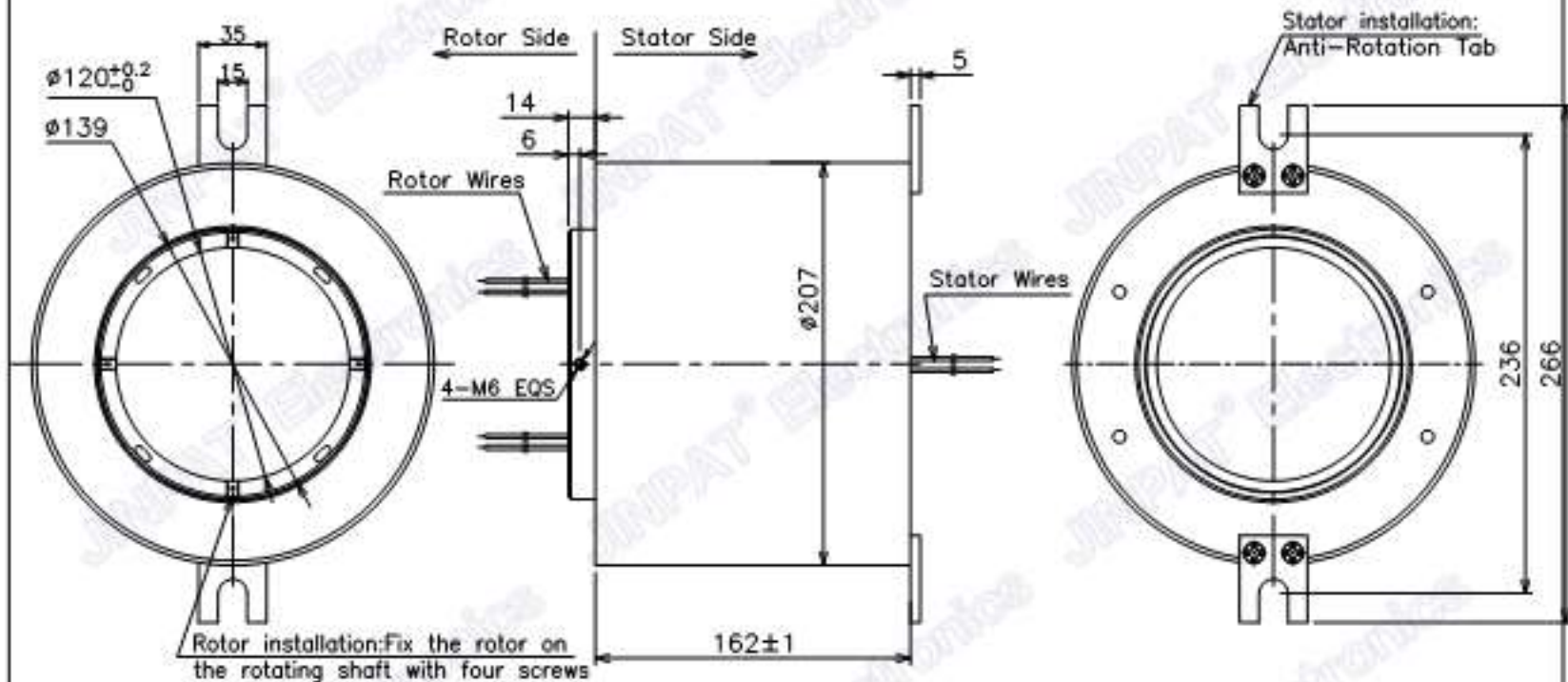
Electronic & Electric		Mechanical	
Circuits	Total	18 Oct	Working Speed
	Detail	18/5A	0-300rpm
Rating Voltage	240V AC/DC	Inner Diameter	ø120mm
Dielectric Strength	1000VAC/50Hz	Contact Material	Precision Metal
Insulation Resistance	≥2000MΩ/500VDC	Housing Material	Aluminum Alloy
Environment		Remarks	
Working Temperature	-20°C~+80°C	Lead Wire Length	Stator:300mm Rotor:300mm
Working Humidity	20%~90%	Application	/
IP	IP50	Other	/
Note: "P" stands for power, "S" stands for signal.			


JINPAT
www.slipring.cn

MODEL	LPT150-2405						
Customer code	/		TITLE	Wiring Diagram			
UNIT	mm	TOL UNLESS SPECIFIED	DESIGN	LOG	DATE	2022.02.15	
SCALE	1:1	LINE 0--0.1 1:1 0.1--0.5 0.5 0.5--2.0 1:2 ANGLE +1 7.5	CHECKED	LWL	DATE	2022.02.15	
PROJ.			REV.	AG	PAGE	2/2	

MARK	CONTENT OF AMENDMENT	DATE	DRW

This document is the property of JINPAT Electronics Co., Ltd (ShenZhen) (Hereafter "JINPAT"). It is lent and is to be returned upon request. The contents of this document are confidential and constitute trade secrets proprietary to JINPAT. Its contents document nor its contents shall be disclosed to any unauthorized person copied or published without JINPAT prior written consent.
COPY RIGHT © 2022 JINPAT ELECTRONICS Co., Ltd (ShenZhen).



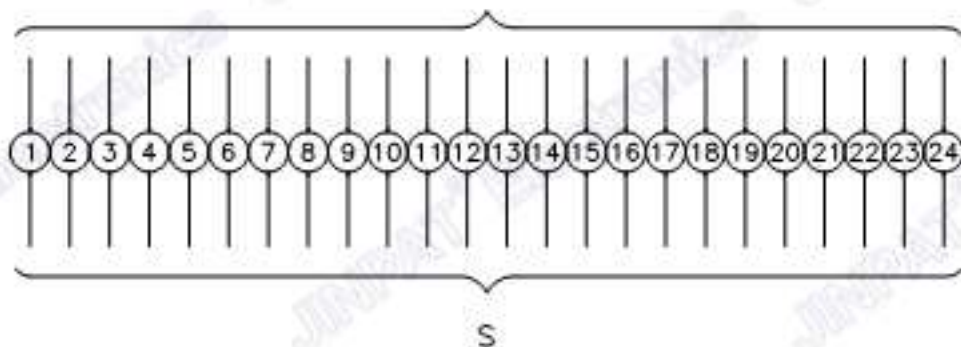
JINPAT
www.slipring.cn

MODEL	LPT120-2410						
Customer code	/		TITLE	Outline Drawing			
UNIT	mm	NO. VALUES SPECIFIED	DESIGN	LYS	DATE	2022.02.15	
SCALE	1:1	DESIGN 1-18 19-30 31-35 36-40 41-45 46-50 51-55 56-60 61-65 66-70 71-75 76-80 81-85 86-90 91-95 96-100	CHECKED	LML	DATE	2022.02.15	
PROJ.			REV.	AG	PAGE	1/2	

MARK	CONTENT OF MARKING	DATE	QWY


This document is the property of JINPAT Electronics Co., Ltd (Shenzhen) (Hereafter "JINPAT"). It is lent and is to be returned upon request. The contents of this document are confidential and constitute trade secrets proprietary to JINPAT. Its contents document nor its contents shall be disclosed to any unauthorized person copied or published without JINPAT prior written consent.
COPY RIGHT © 2022 JINPAT ELECTRONICS Co., Ltd (Shenzhen).

R
24Circuits * 10A(240VAC)
|
AWG17# Teflon® UL



Electronic & Electric		Mechanical		
Circuits	Total	24 Ckt	Working Speed	0-300rpm
	Detail	24x10A	Inner Diameter	φ129mm
Rating Voltage	240V AC/DC	Contact Material	Preformed Metal	
Dielectric Strength	1000VAC/50Hz	Housing Material	Aluminum Alloy	
Insulation Resistance	≥200MΩ/500VDC	Lead Wire Length	Stator:300mm Rotor:300mm	
Environment		Remarks		
Working Temperature	-20°C~+80°C	Application	/	
Working Humidity	20%~90%	Other	/	
IP	IP50	Note: "P" stands for power, "S" stands for signal.		

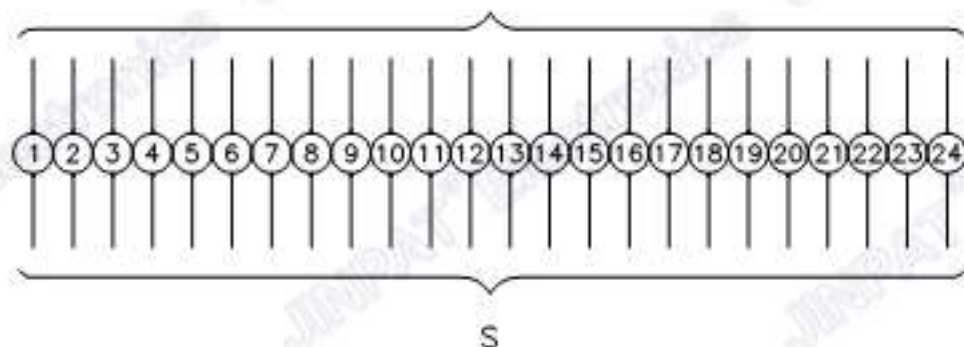

JINPAT
www.slipring.cn

MODEL	LPT150-2410						
Customer code	/		TITLE	Wiring Diagram			
UNIT	mm	TOL UNLESS SPECIFIED	DESIGN	LOG	DATE	2022.02.15	
SCALE	1:1	LINE 0-0.1 1:1 0.1-0.5 1:2 0.5-2.0 1:3 ANGLE ±1 1:5	CHECKED	LWL	DATE	2022.02.15	
PROJ.			REV.	AG	PAGE	2/2	

MARK	CONTENT OF MARKING	DATE	QTY


This document is the property of JINPAT Electronics Co., Ltd (ShenZhen) (Hereafter "JINPAT"). It is lent and is to be returned upon request. The contents of this document are confidential and constitute trade secrets proprietary to JINPAT. Its contents document nor its contents shall be disclosed to any unauthorized person copied or published without JINPAT prior written consent.
COPY RIGHT © 2022 JINPAT ELECTRONICS Co., Ltd (ShenZhen).

R
24Circuits * 15A(240VAC)
|
AWG14# Teflon® UL



Electronic & Electric		Mechanical		
Circuits	Total	24 Ckt	Working Speed	0-300rpm
	Detail	24x15A	Inner Diameter	ø120mm
Rating Voltage	240V AC/DC	Contact Material	Preformed Metal	
Dielectric Strength	1000VAC/50Hz	Housing Material	Aluminum Alloy	
Insulation Resistance	≥200MΩ/500VDC	Lead Wire Length	Stator:300mm Rotor:300mm	
Environment		Remarks		
Working Temperature	-20°C~+80°C	Application	/	
Working Humidity	20%~80%	Other	/	
IP	IP50	Note: "P" stands for power, "S" stands for signal.		


JINPAT
www.slipring.cn

MODEL	LPT150-2415						
Customer code	/		TITLE	Wiring Diagram			
UNIT	mm	TOL UNLESS SPECIFIED	DESIGN	LOG	DATE	2022.02.15	
SCALE	1:1	LINE 0--0.1 1:1 0.1--0.5 1:2 0.5--2.0 1:3 ANGLE +1 1:5	CHECKED	LWL	DATE	2022.02.15	
PROJ.			REV.	AG	PAGE	2/2	