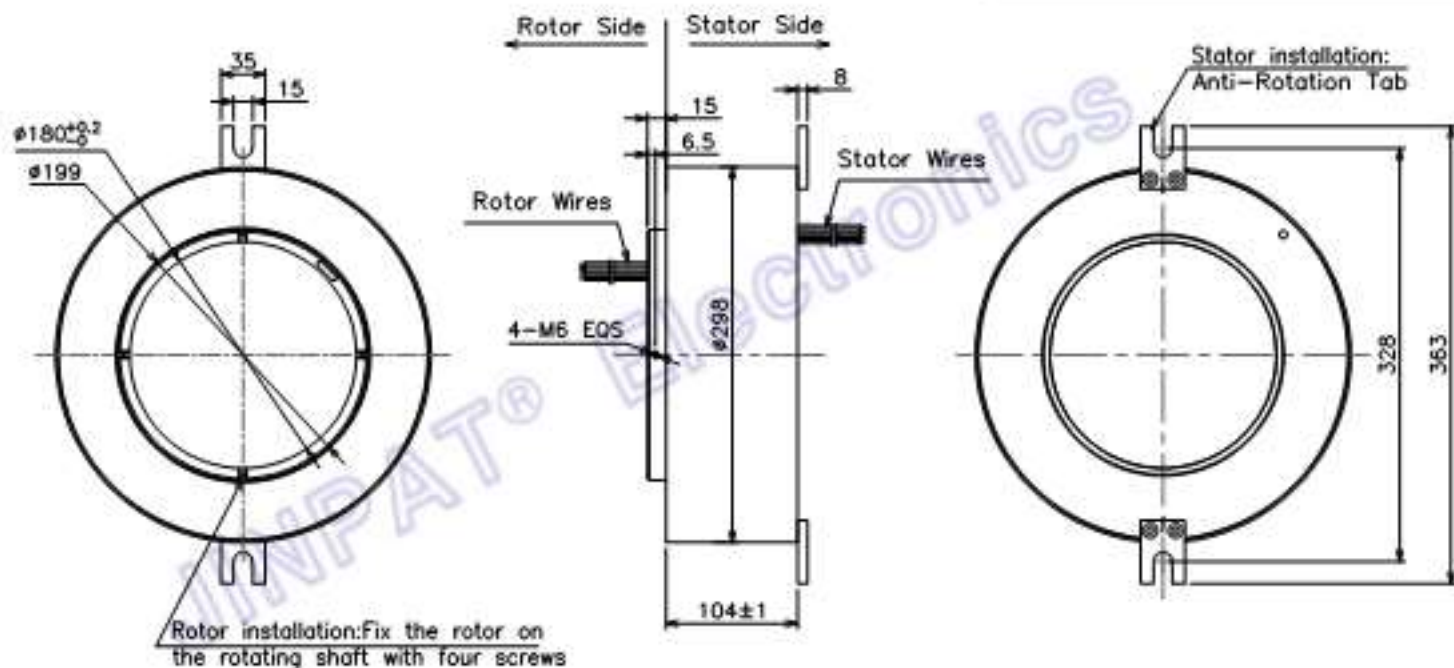


NO.	CONTENT OF AMENDMENT	DATE	DRAW

This document is the property of JINPAT Electronics Co., Ltd (ShenZhen) (Hereafter "JINPAT"). It is lent and is to be returned upon request. The contents of this document are confidential and constitute trade secrets proprietary to JINPAT. Its contents document nor its contents shall be disclosed to any unauthorized person copied or published without JINPAT prior written consent.  
COPY RIGHT © 2021 JINPAT ELECTRONICS Co., Ltd (ShenZhen).

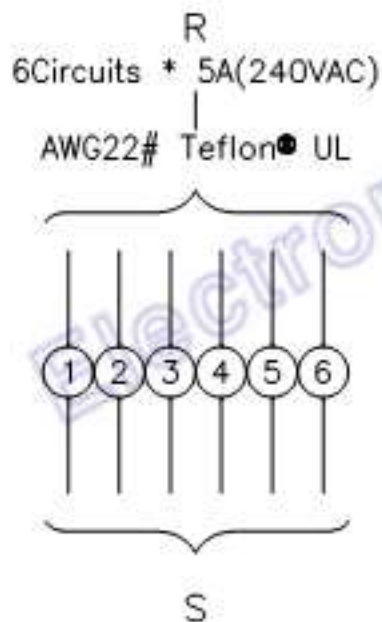


**JINPAT**  
www.slpring.cn

MODEL	LPT180-0605					
Customer code	/		TITLE	Outline Drawing		
UNIT	mm	PER MILLIMETER SPECIES	DESIGN	LOO	DATE	2021.10.18
SCALE	1:1	LINEAR	CHECKED	LM	DATE	2021.10.18
PROJ.		ARC	REV.	NO	PAGE	1/2

NO.	CONTENT OF AMENDMENT	DATE	DRW

This document is the property of JINPAT Electronics Co., Ltd (ShenZhen) (Hereafter "JINPAT"). It is lent and is to be returned upon request. The contents of this document are confidential and constitute trade secrets proprietary to JINPAT. Its contents document nor its contents shall be disclosed to any unauthorized person copied or published without JINPAT prior written consent.  
COPY RIGHT © 2021 JINPAT ELECTRONICS Co., Ltd (ShenZhen).



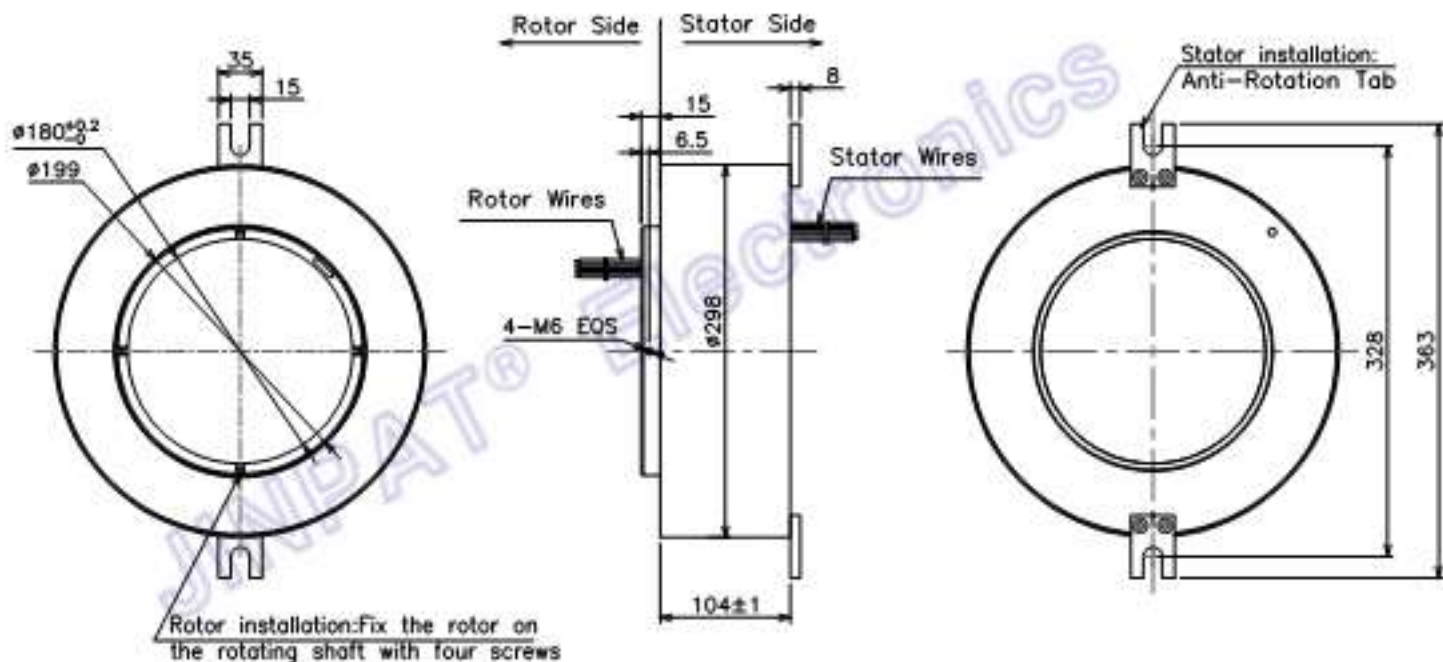
Electronics & Electric		Mechanical		
Circuits	Total	4 DIT	Working Speed	0-300rpm
	Detail	6.5A	Inner Diameter	φ130mm
Rating Voltage	240V AC/DC	Contact Material	Precoat Metal	
Breaks Strength	1000VAC/50Hz	Housing Material	Aluminum Alloy	
Insulation Resistance	2000MΩ/500VDC	Lead Wire Length	Strip:300mm Refer:300mm	
Environment		Remarks		
Working Temperature	-20°C~+60°C	Application	/	
Working Humidity	≤80%RH	Other	/	
IP	IP58	Note: "P" stands for press, "T" stands for signal.		



MODEL	LPT180-0605					
Customer code	/		TITLE	Wiring Diagram		
UNIT	mm	PER UNITS SPECIFIED	DESIGN	LOO	DATE	2021.10.18
SCALE	1:1	LINEAR 0-10 1:1 10-20 1:2 20-100 1:3 ANGULAR at 1:3	CHECKED	UML	DATE	2021.10.18
PROJ.		REV.	NO	PAGE	2/2	

REV	变更内容	日期	谁

This document is the property of JINPAT Electronics Co., Ltd (ShenZhen) (Hereafter "JINPAT"). It is lent and is to be returned upon request. The contents of this document are confidential and constitute trade secrets proprietary to JINPAT. Its contents document nor its contents shall be disclosed to any unauthorized person copied or published without JINPAT prior written consent.  
COPY RIGHT © 2021.JINPAT ELECTRONICS Co., Ltd (ShenZhen).



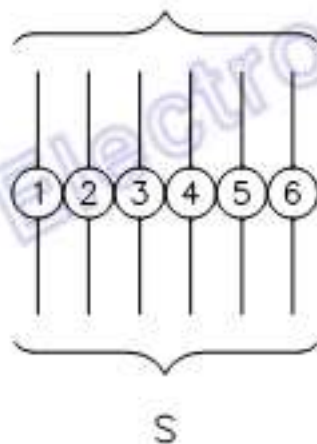
**JINPAT**  
www.slipping.cn

MODEL	LPT180-0610						
Customer code	/		TITLE	Outline Drawing			
UNIT	mm	NO. WHEN SHOWN	DESIGN	LOG	DATE	2021.10.18	
SCALE	1:1	UNIT	CHECKED	LWL	DATE	2021.10.18	
PROJ.	◆	NO.	REV.	NO	PAGE	1/2	

NO.	CONTENT OF AMENDMENT	DATE	DRW


This document is the property of JINPAT Electronics Co., Ltd (ShenZhen) (Hereafter "JINPAT"). It is lent and is to be returned upon request. The contents of this document are confidential and constitute trade secrets proprietary to JINPAT. Its contents document nor its contents shall be disclosed to any unauthorized person copied or published without JINPAT prior written consent.  
COPY RIGHT © 2021 JINPAT ELECTRONICS Co., Ltd (ShenZhen).

R  
6Circuits \* 10A(240VAC)  
|  
AWG17# Teflon● UL



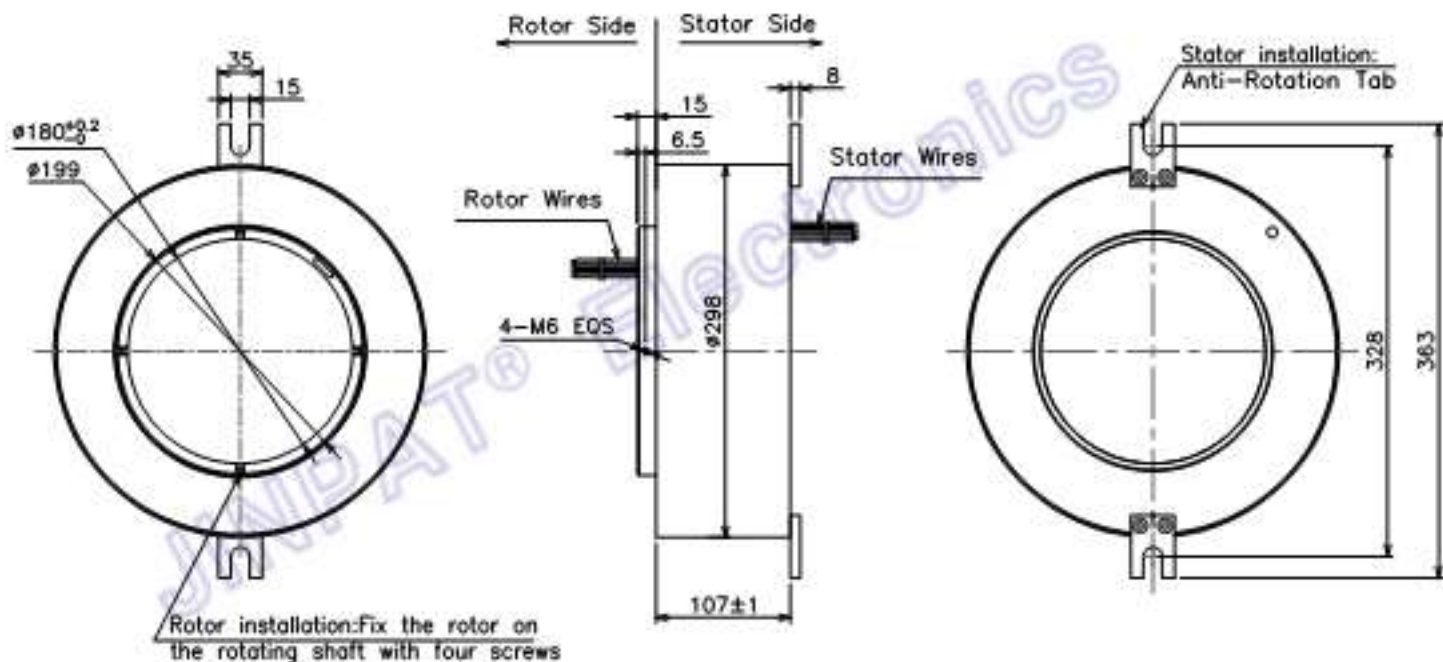
Electronics & Electric		Mechanical		
Circuits	Total	6 CIR	Working Speed	0-300rpm
	Detail	6x10A	Inner Diameter	φ100mm
Rating Voltage		240V AC/DC	Contact Material	Precoat Metal
Breakdown Strength		1000VAC/50Hz	Housing Material	Aluminum Alloy
Insulation Resistance		2000MΩ/500VDC	Lead Wire Length	Slider:300mm Refer:300mm
Environment		Remarks		
Working Temperature		-20°C~+60°C	Application	/
Working Humidity		≤80%RH	Other	/
IP	IP58	Note: "P" stands for press, "T" stands for signal.		

  
**JINPAT**  
www.slpring.cn

MODEL	LPT180-0610					
Customer code	/		TITLE	Wiring Diagram		
UNIT	mm	PER UNITS SPECIFIED	DESIGN	LOO	DATE	2021.10.18
SCALE	1:1		CHECKED	LM	DATE	2021.10.18
PROJ.		REV.	NO	PAGE	2/2	

REV	变更内容	日期	谁

This document is the property of JINPAT Electronics Co., Ltd (Shenzhen) (Hereafter "JINPAT"). It is lent and is to be returned upon request. The contents of this document are confidential and constitute trade secrets proprietary to JINPAT. Its contents document nor its contents shall be disclosed to any unauthorized person copied or published without JINPAT prior written consent.  
COPY RIGHT © 2021 JINPAT ELECTRONICS Co., Ltd (Shenzhen).

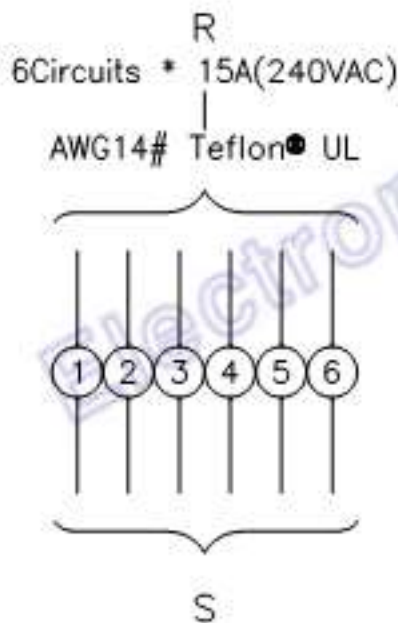


**JINPAT**  
www.slipping.cn

MODEL	LPT180-0615						
Customer code	/		TITLE	Outline Drawing			
UNIT	mm	NO. SHEET	DESIGN	LOG	DATE	2021.10.18	
SCALE	1:1	LENGTH	CHECKED	LML	DATE	2021.10.18	
PROJ.	◆	NO. SHEET	REV.	NO	PAGE	1/2	

NO.	CONTENT OF AMENDMENT	DATE	DRW

This document is the property of JINPAT Electronics Co., Ltd (ShenZhen) (Hereafter "JINPAT"). It is lent and is to be returned upon request. The contents of this document are confidential and constitute trade secrets proprietary to JINPAT. Its contents document nor its contents shall be disclosed to any unauthorized person copied or published without JINPAT prior written consent.  
COPY RIGHT © 2021 JINPAT ELECTRONICS Co., Ltd (ShenZhen).



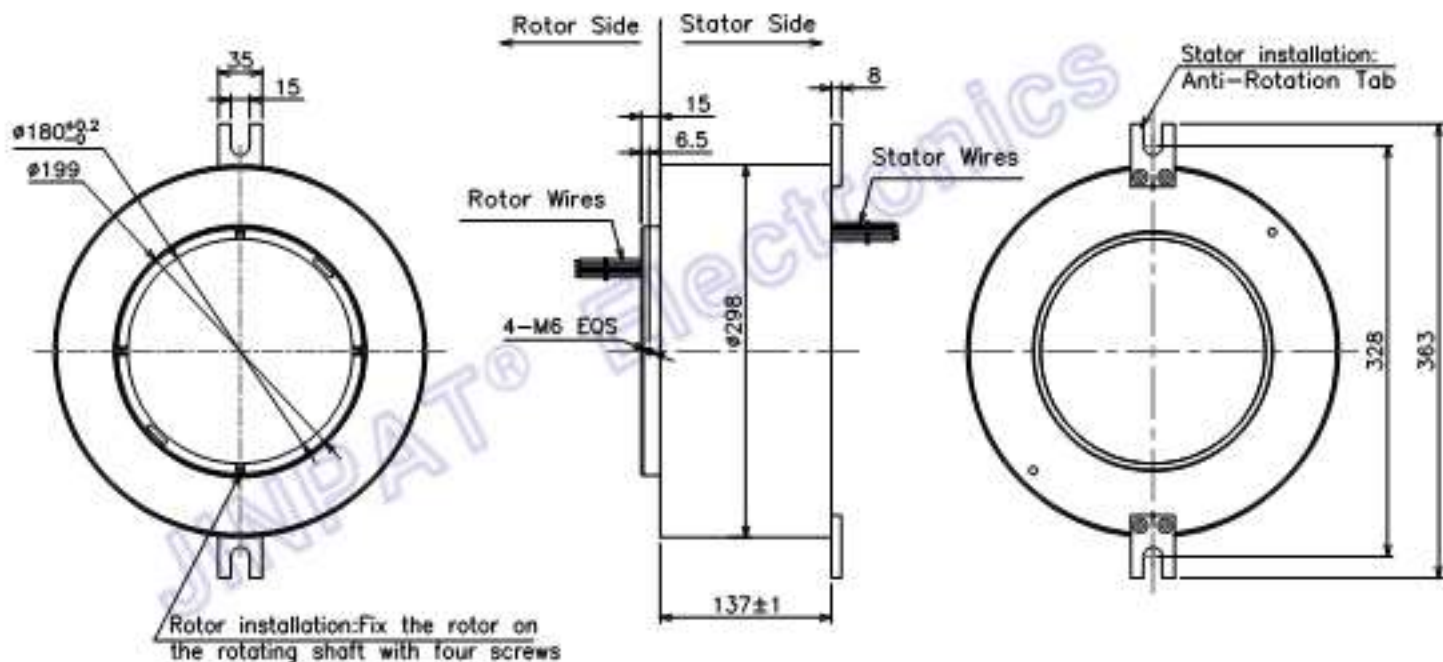
Electronics & Electric		Mechanical		
Circuits	Total	6 CIR	Working Speed	0-300rpm
	Detail	6*15A	Inner Diameter	φ130mm
Rating Voltage	240V AC/DC	Contact Material	Precoat Metal	
Detachable Strength	1000N/0.85Hz	Housing Material	Aluminum Alloy	
Insulation Resistance	2000MΩ/500VDC	Lead Wire Length	Strip:300mm Refer:300mm	
Environment		Remarks		
Working Temperature	-20°C~+60°C	Application	/	
Working Humidity	20-80%	Other	/	
IP	IP58	Note: "P" stands for press, "T" stands for signal.		



MODEL	LPT180-0615					
Customer code	/		TITLE	Wiring Diagram		
UNIT	mm	PER UNITS SPECIFIED	DESIGN	LOO	DATE	2021.10.18
SCALE	1:1	LINEAR 0-10 1:1 10-20 1:2 20-100 1:3 ANGULAR at 1:3	CHECKED	UML	DATE	2021.10.18
PROJ.		REV.	NO	PAGE	2/2	

REV	DATE	BY	CHK

This document is the property of JINPAT Electronics Co., Ltd (Shenzhen) (Hereafter "JINPAT"). It is lent and is to be returned upon request. The contents of this document are confidential and constitute trade secrets proprietary to JINPAT. Its contents document nor its contents shall be disclosed to any unauthorized person copied or published without JINPAT prior written consent.  
COPY RIGHT © 2021 JINPAT ELECTRONICS Co., Ltd (Shenzhen).



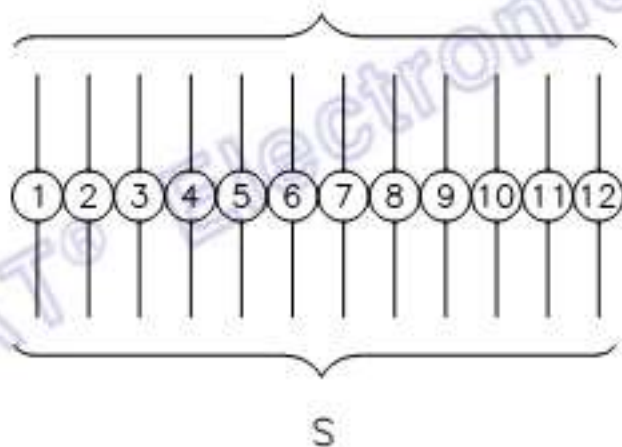
**JINPAT**  
www.slipping.cn

MODEL	LPT180-1205						
Customer code	/		TITLE	Outline Drawing			
UNIT	mm	NO. SHEET SHEETS	DESIGN	LOG	DATE	2021.10.18	
SCALE	1:1	UNIT	CHECKED	LWL	DATE	2021.10.18	
PROJ.	◆	UNIT	REV.	NO	PAGE	1/2	

NO.	CONTENT OF AMENDMENT	DATE	DRW


This document is the property of JINPAT Electronics Co., Ltd (Shenzhen) (Hereafter "JINPAT"). It is lent and is to be returned upon request. The contents of this document are confidential and constitute trade secrets proprietary to JINPAT. Its contents document nor its contents shall be disclosed to any unauthorized person copied or published without JINPAT prior written consent.  
COPY RIGHT © 2021 JINPAT ELECTRONICS Co., Ltd (Shenzhen).

R  
12Circuits \* 5A(240VAC)  
|  
AWG22# Teflon● UL



Electronics & Electric		Mechanical		
Circuits	Total	12 CIR	Working Speed	0-300rpm
	Detail	12SA	Inner Diameter	φ180mm
Rating Voltage		240V AC/DC	Contact Material	Preform Metal
Breakdown Strength		1000V@50Hz	Housing Material	Aluminum Alloy
Insulation Resistance		200MΩ@50VDC	Lead Wire Length	Stator:300mm Rotor:300mm
Environment		Remarks		
Working Temperature		-20°C~+60°C	Application	/
Working Humidity		20-80%	Other	/
IP	IP58	Note: "T" stands for press, "C" stands for signal.		

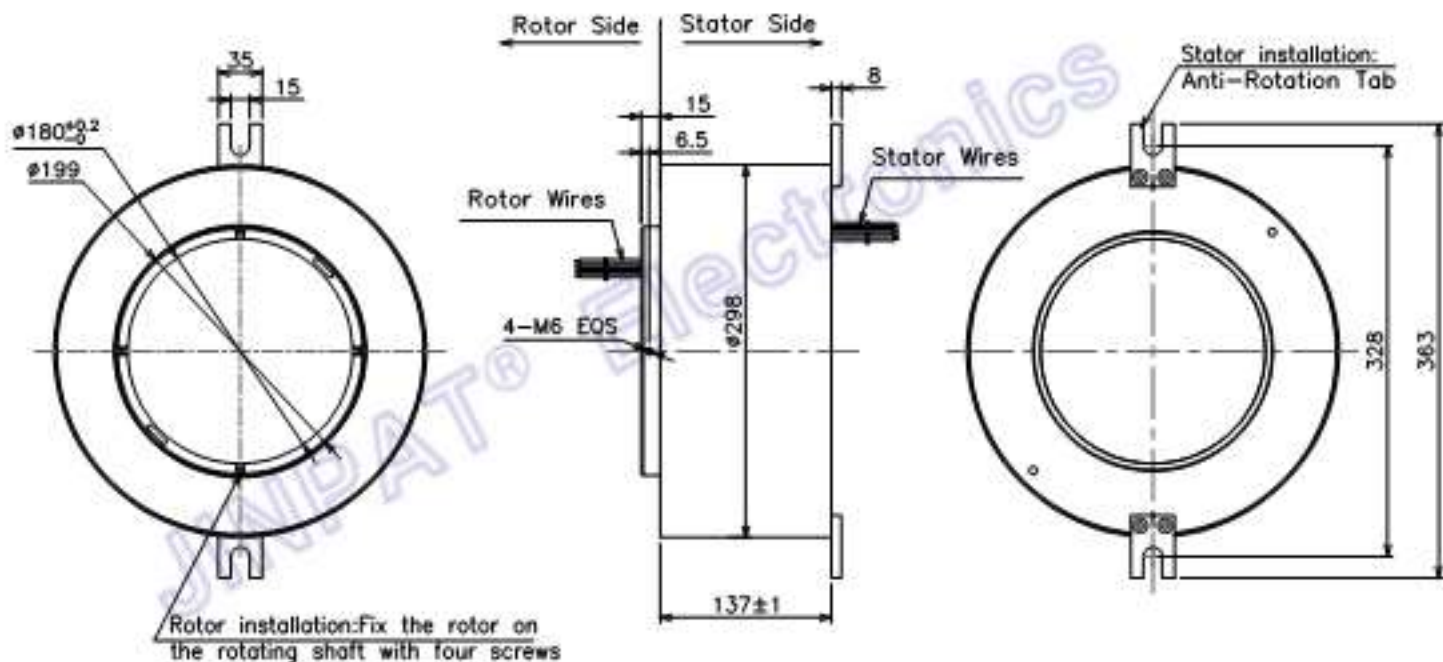
  
**JINPAT**  
www.slipring.cn

MODEL	LPT180-1205						
Customer code	/		TITLE	Wiring Diagram			
UNIT	mm	PLS CHECK SPECIES	DESIGN	LOO	DATE	2021.10.18	
SCALE	1:1		CHECKED	LM	DATE	2021.10.18	
PROJ.		REV.	NO	PAGE	2/2		



REV	变更内容	日期	谁

This document is the property of JINPAT Electronics Co., Ltd (Shenzhen) (Hereafter "JINPAT"). It is lent and is to be returned upon request. The contents of this document are confidential and constitute trade secrets proprietary to JINPAT. Its contents document nor its contents shall be disclosed to any unauthorized person copied or published without JINPAT prior written consent.  
COPY RIGHT © 2021 JINPAT ELECTRONICS Co., Ltd (Shenzhen).



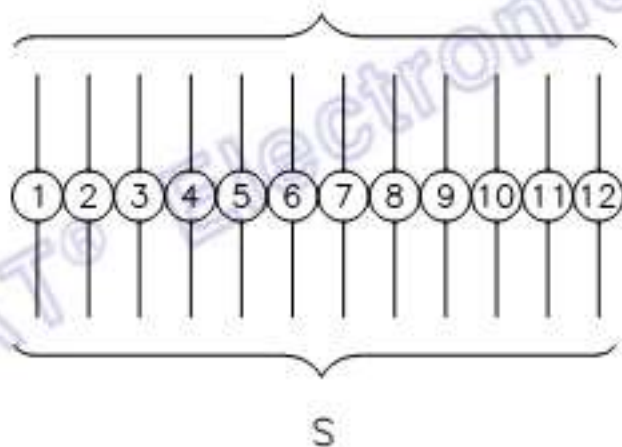
**JINPAT**  
www.slipping.cn

MODEL	LPT180-1210						
Customer code	/		TITLE	Outline Drawing			
UNIT	mm	NO. SHEET SHEETS	DESIGN	LOG	DATE	2021.10.18	
SCALE	1:1	UNIT	CHECKED	LML	DATE	2021.10.18	
PROJ.	◆	UNIT	REV.	NO	PAGE	1/2	

NO.	CONTENT OF AMENDMENT	DATE	DRW


This document is the property of JINPAT Electronics Co., Ltd (Shenzhen) (Hereafter "JINPAT"). It is lent and is to be returned upon request. The contents of this document are confidential and constitute trade secrets proprietary to JINPAT. Its contents document nor its contents shall be disclosed to any unauthorized person copied or published without JINPAT prior written consent.  
COPY RIGHT © 2021 JINPAT ELECTRONICS Co., Ltd (Shenzhen).

R  
12Circuits \* 10A(240VAC)  
|  
AWG17# Teflon® UL



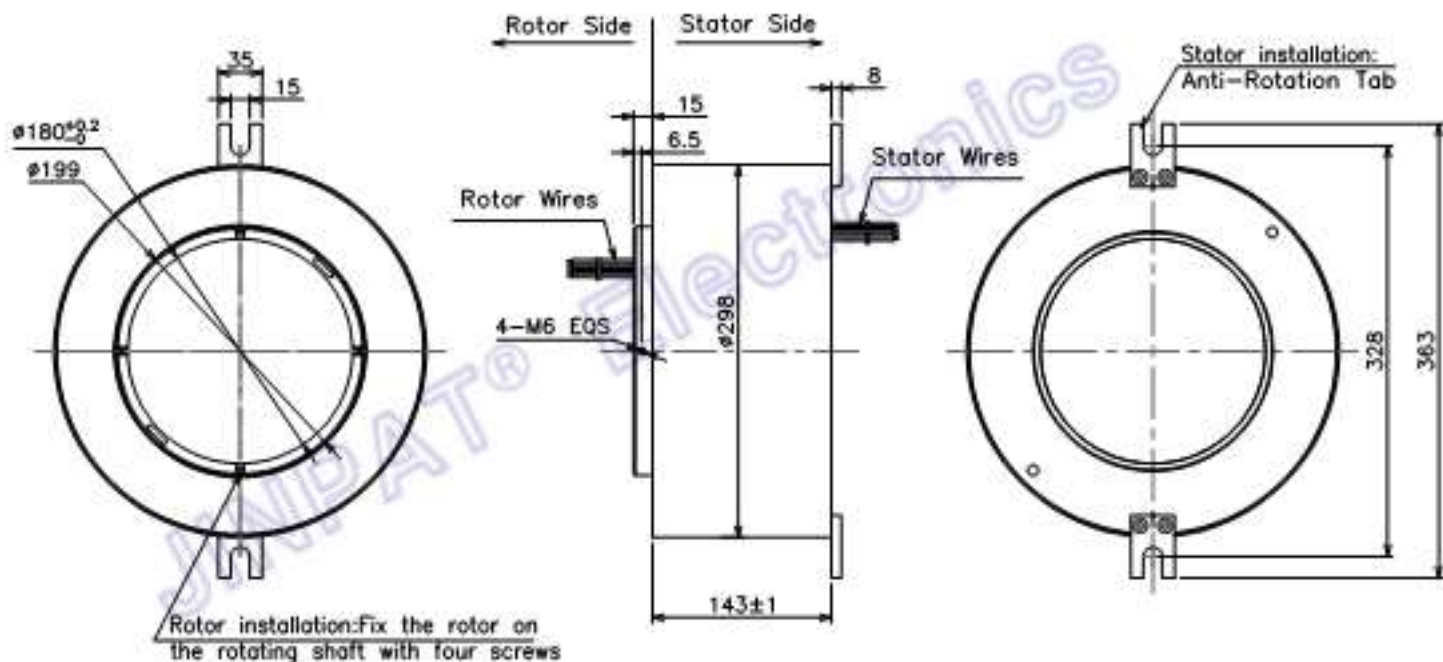
Electronics & Electric		Mechanical		
Circuits	Total	12 CIR	Working Speed	0-300rpm
	Detail	12x10A	Inner Diameter	φ180mm
Rating Voltage		240V AC/DC	Contact Material	Precoat Metal
Breakdown Strength		1000VAC/50Hz	Housing Material	Aluminum Alloy
Insulation Resistance		2000MΩ/500VDC	Lead Wire Length	Slider:300mm Refer:300mm
Environment		Remarks		
Working Temperature		-20°C~+60°C	Application	/
Working Humidity		≤80%RH	Other	/
IP	IP58	Note: "T" stands for press, "C" stands for signal.		

  
**JINPAT**  
www.slpring.cn

MODEL	LPT180-1210						
Customer code	/		TITLE	Wiring Diagram			
UNIT	mm	PER UNITS SPECIFIED	DESIGN	LOO	DATE	2021.10.18	
SCALE	1:1		CHECKED	LM	DATE	2021.10.18	
PROJ.		REV.	NO	PAGE	2/2		

REV	变更内容	日期	谁

This document is the property of JINPAT Electronics Co., Ltd (Shenzhen) (Hereafter "JINPAT"). It is lent and is to be returned upon request. The contents of this document are confidential and constitute trade secrets proprietary to JINPAT. Its contents document nor its contents shall be disclosed to any unauthorized person copied or published without JINPAT prior written consent.  
COPY RIGHT © 2021 JINPAT ELECTRONICS Co., Ltd (Shenzhen).



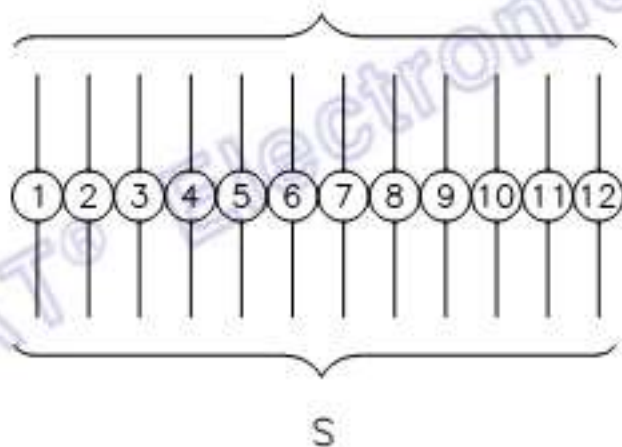
**JINPAT**  
www.slipping.cn

MODEL	LPT180-1215						
Customer code	/		TITLE	Outline Drawing			
UNIT	mm	NO. SHEET SHEETS	DESIGN	LOG	DATE	2021.10.18	
SCALE	1:1	UNIT	CHECKED	LWL	DATE	2021.10.18	
PROJ.	◆	NO.	REV.	NO	PAGE	1/2	

NO.	CONTENT OF AMENDMENT	DATE	DRW


This document is the property of JINPAT Electronics Co., Ltd (Shenzhen) (Hereafter "JINPAT"). It is lent and is to be returned upon request. The contents of this document are confidential and constitute trade secrets proprietary to JINPAT. Its contents document nor its contents shall be disclosed to any unauthorized person copied or published without JINPAT prior written consent.  
COPY RIGHT © 2021 JINPAT ELECTRONICS Co., Ltd (Shenzhen).

R  
12Circuits \* 15A(240VAC)  
|  
AWG14# Teflon● UL



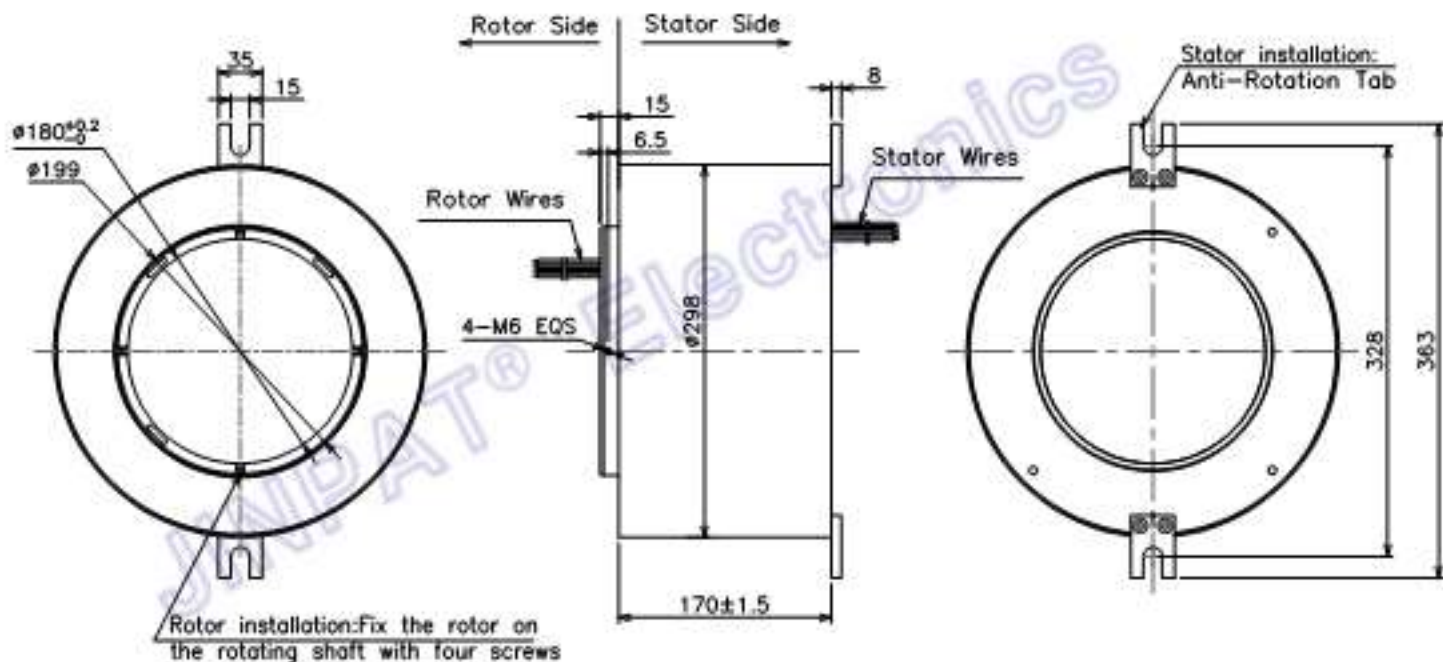
Electronics & Electric		Mechanical		
Circuits	Total	4 DIT	Working Speed	0-300rpm
	Detail	6:15A	Inner Diameter	φ130mm
Rating Voltage		240V AC/DC	Contact Material	Preform Metal
Detachable Strength		1000N(89NHz)	Housing Material	Aluminum Alloy
Insulation Resistance		2000MΩ(500VDC)	Lead Wire Length	Stator:300mm Rotor:300mm
Environment		Remarks		
Working Temperature		-20°C~+60°C	Application	/
Working Humidity		20-80%	Other	/
IP	IP58	Note: "T" stands for press, "C" stands for signal.		

  
**JINPAT**  
www.slipring.cn

MODEL	LPT180-1215						
Customer code	/		TITLE	Wiring Diagram			
UNIT	mm	PLS. CHECK SPECIES	DESIGN	LOO	DATE	2021.10.18	
SCALE	1:1		CHECKED	LM	DATE	2021.10.18	
PROJ.		REV.	NO	PAGE	2/2		

REV	变更内容	日期	谁

This document is the property of JINPAT Electronics Co., Ltd (Shenzhen) (Hereafter "JINPAT"). It is lent and is to be returned upon request. The contents of this document are confidential and constitute trade secrets proprietary to JINPAT. Its contents document nor its contents shall be disclosed to any unauthorized person copied or published without JINPAT prior written consent.  
COPY RIGHT © 2021 JINPAT ELECTRONICS Co., Ltd (Shenzhen).



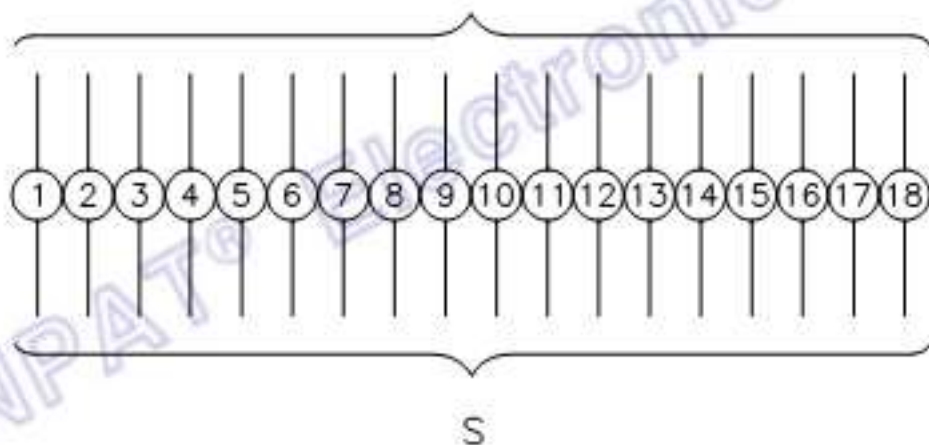
**JINPAT**  
www.slipping.cn

MODEL	LPT180-1805						
Customer code	/		TITLE	Outline Drawing			
UNIT	mm	NO. SHEET SHEETS	DESIGN	LOG	DATE	2021.10.18	
SCALE	1:1	UNIT	CHECKED	LML	DATE	2021.10.18	
PROJ.	◆	NO.	REV.	NO	PAGE	1/2	

NO.	CONTENT OF AMENDMENT	DATE	DRW


This document is the property of JINPAT Electronics Co., Ltd (ShenZhen) (Hereafter "JINPAT"). It is lent and is to be returned upon request. The contents of this document are confidential and constitute trade secrets proprietary to JINPAT. Its contents document nor its contents shall be disclosed to any unauthorized person copied or published without JINPAT prior written consent.  
COPY RIGHT © 2021 JINPAT ELECTRONICS Co., Ltd (ShenZhen).

R  
18Circuits \* 5A(240VAC)  
|  
AWG22# Teflon● UL



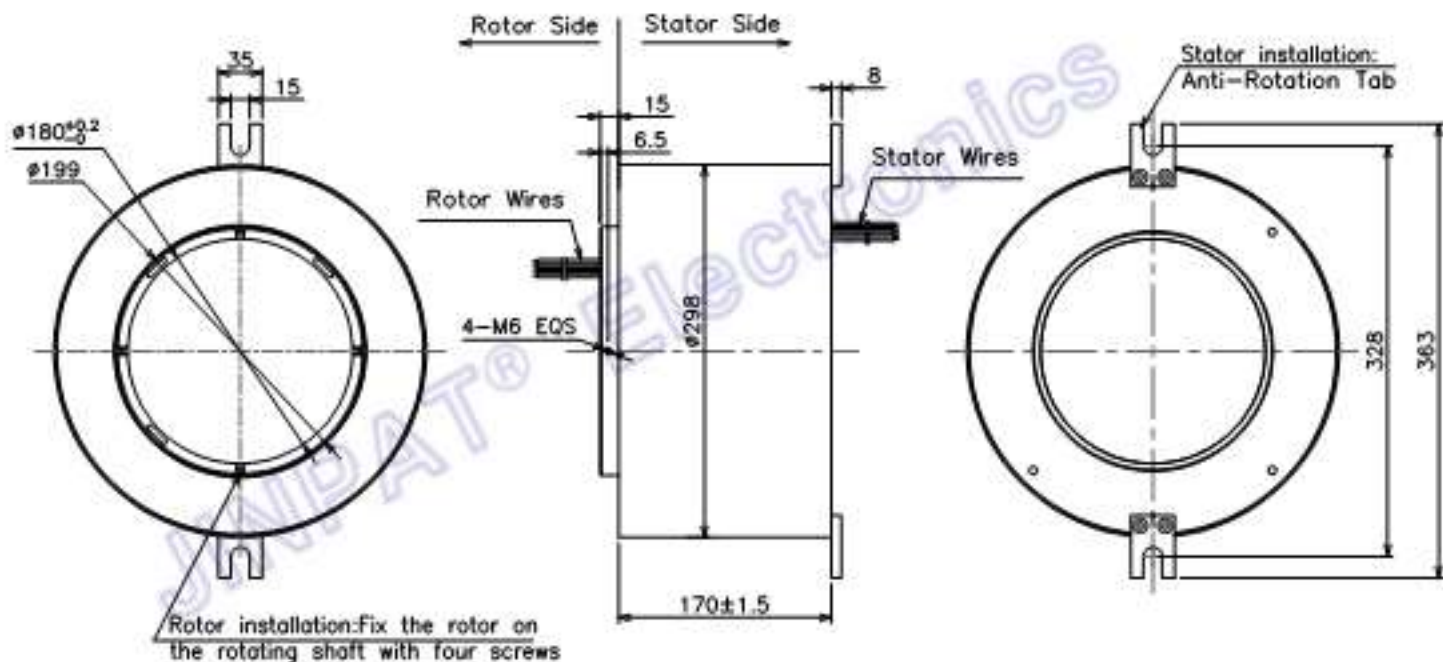
Electronics & Electric		Mechanical	
Details	Total	Working Speed	0-300rpm
	Detail	Inner Diameter	φ130mm
Rating Voltage	240V AC/DC	Contact Material	Pre-laced Metal
Detachable Strength	1000N/0.85Hz	Housing Material	Aluminum Alloy
Insulation Resistance	2000MΩ/500VDC	Lead Wire Length	Strip:300mm Pin:300mm
Environment		Remarks	
Working Temperature	-25°C~+60°C	Application	/
Working Humidity	20-85%	Other	/
IP	IP58	Note: "T" stands for press, "C" stands for signal.	

  
**JINPAT**  
www.slipring.cn

MODEL	LPT180-1805						
Customer code	/		TITLE	Wiring Diagram			
UNIT	mm	PLS. USE THE SPECIES	DESIGN	LOO	DATE	2021.10.18	
SCALE	1:1	LINEAR 0-18 1:1 18-30 1:1.2 30-120 1:2 ANGULAR at 1:2	CHECKED	UML	DATE	2021.10.18	
PROJ.			REV.	NO	PAGE	2/2	

REV	变更内容	日期	谁

This document is the property of JINPAT Electronics Co., Ltd (ShenZhen) (Hereafter "JINPAT"). It is lent and is to be returned upon request. The contents of this document are confidential and constitute trade secrets proprietary to JINPAT. Its contents document nor its contents shall be disclosed to any unauthorized person copied or published without JINPAT prior written consent.  
COPY RIGHT © 2021 JINPAT ELECTRONICS Co., Ltd (ShenZhen).



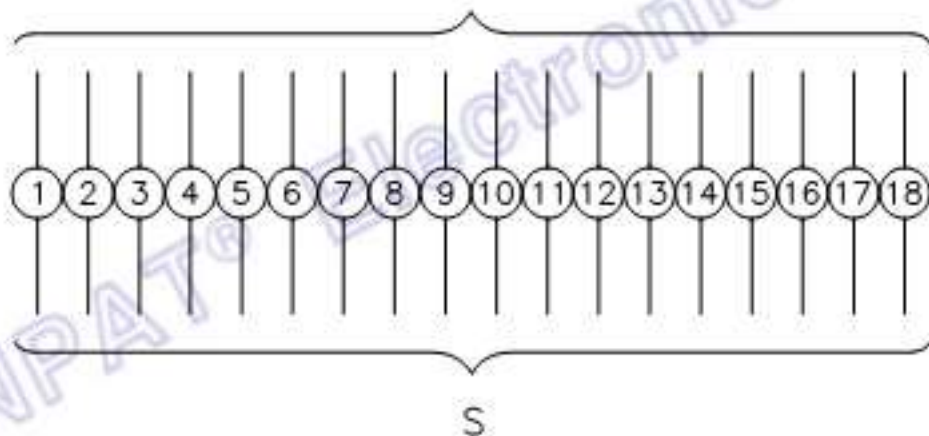
**JINPAT**  
www.slipping.cn

MODEL	LPT180-1810						
Customer code	/		TITLE	Outline Drawing			
UNIT	mm	NO. WHEN CHANGED	DESIGN	LOG	DATE	2021.10.18	
SCALE	1:1	LINE	CHECKED	LWL	DATE	2021.10.18	
PROJ.	◆	NO. WHEN CHANGED	REV.	NO	PAGE	1/2	

NO.	CONTENT OF AMENDMENT	DATE	DRAW


This document is the property of JINPAT Electronics Co., Ltd (ShenZhen) (Hereafter "JINPAT"). It is lent and is to be returned upon request. The contents of this document are confidential and constitute trade secrets proprietary to JINPAT. Its contents document nor its contents shall be disclosed to any unauthorized person copied or published without JINPAT prior written consent.  
COPY RIGHT © 2021 JINPAT ELECTRONICS Co., Ltd (ShenZhen).

R  
18Circuits \* 10A(240VAC)  
|  
AWG17# Teflon● UL



Electronics & Electric		Mechanical		
Details	Total	18 PIN	Working Speed	0-300rpm
	Detail	18x10A	Inner Diameter	φ130mm
Rating Voltage		240V AC/DC	Contact Material	Preform Metal
Detachable Strength		1000N@80Hz	Housing Material	Aluminum Alloy
Insulation Resistance		2000MΩ@50VDC	Lead Wire Length	Stroke:300mm Refer:300mm
Environment		Remarks		
Working Temperature		-25°C~+60°C	Application	/
Working Humidity		20-90%	Other	/
#	#00	Note: "T" stands for press, "C" stands for signal.		

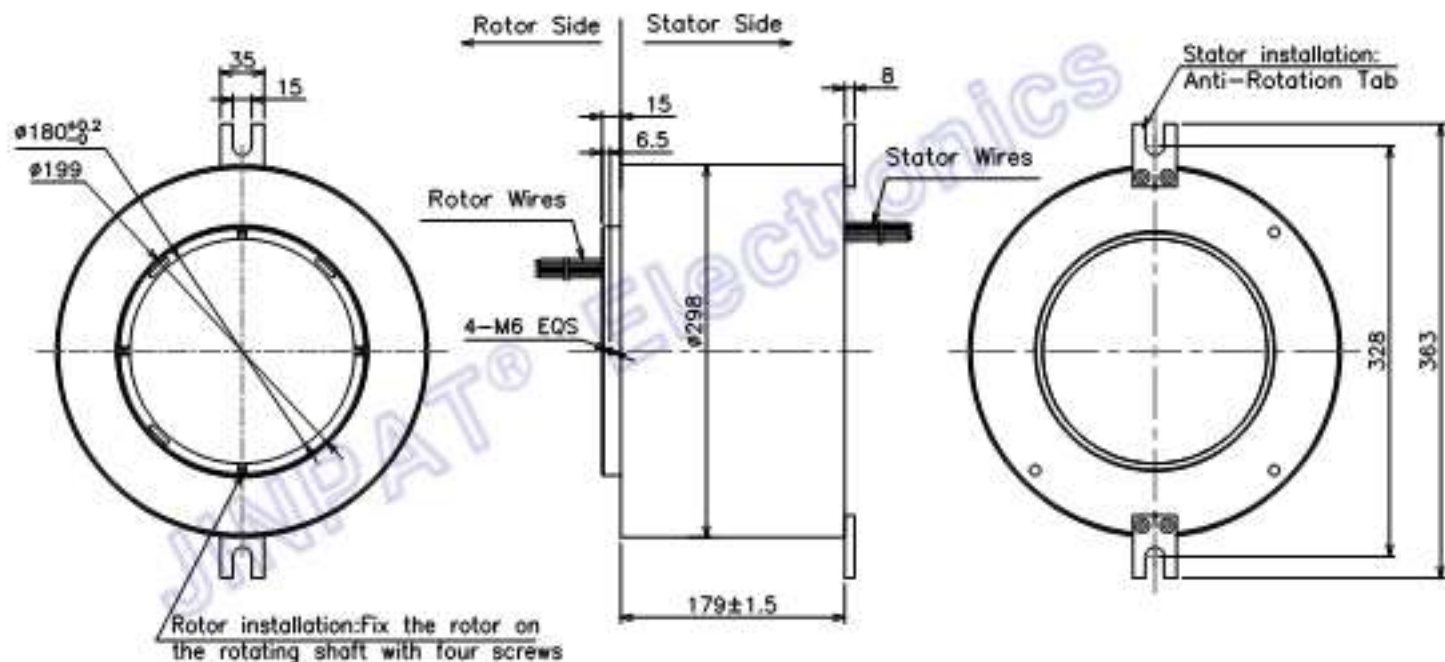
  
**JINPAT**  
www.slipring.cn

MODEL	LPT180-1810						
Customer code	/		TITLE	Wiring Diagram			
UNIT	mm	PER UNITS SPECIFIED	DESIGN	LOO	DATE	2021.10.18	
SCALE	1:1	LINEAR 0-10 1:1 10-20 1:2 20-100 1:3 ANGULAR at 1:3	CHECKED	UML	DATE	2021.10.18	
PROJ.			REV.	NO	PAGE	2/2	



REV	变更内容	日期	谁

This document is the property of JINPAT Electronics Co., Ltd (ShenZhen) (Hereafter "JINPAT"). It is lent and is to be returned upon request. The contents of this document are confidential and constitute trade secrets proprietary to JINPAT. Its contents document nor its contents shall be disclosed to any unauthorized person copied or published without JINPAT prior written consent.  
COPY RIGHT © 2021 JINPAT ELECTRONICS Co., Ltd (ShenZhen).



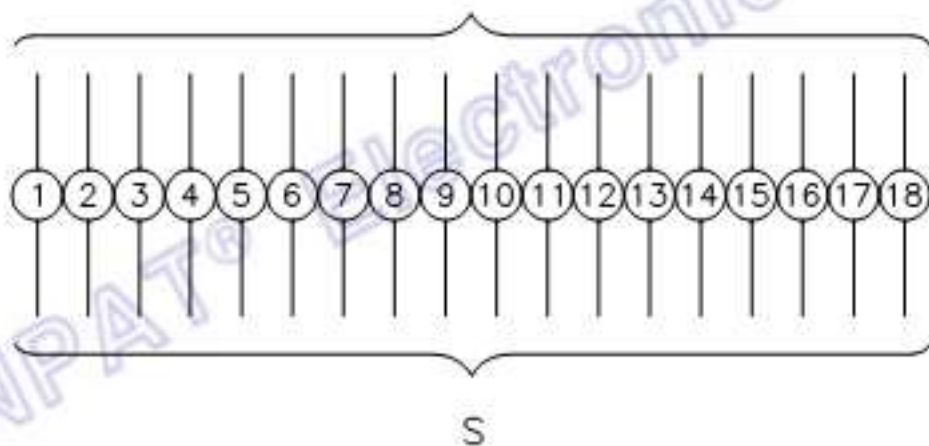
**JINPAT**  
www.sliping.cn

MODEL	LPT180-1815						
Customer code	/		TITLE	Outline Drawing			
UNIT	mm	NO. WHEN SHOWN	DESIGN	LOG	DATE	2021.10.18	
SCALE	1:1	UNIT	CHECKED	LML	DATE	2021.10.18	
PROJ.	◆	UNIT	REV.	NO	PAGE	1/2	

NO.	CONTENT OF AMENDMENT	DATE	DRW


This document is the property of JINPAT Electronics Co., Ltd (Shenzhen) (Hereafter "JINPAT"). It is lent and is to be returned upon request. The contents of this document are confidential and constitute trade secrets proprietary to JINPAT. Its contents document nor its contents shall be disclosed to any unauthorized person copied or published without JINPAT prior written consent.  
COPY RIGHT © 2021 JINPAT ELECTRONICS Co., Ltd (Shenzhen).

R  
18Circuits \* 15A(240VAC)  
|  
AWG14# Teflon● UL



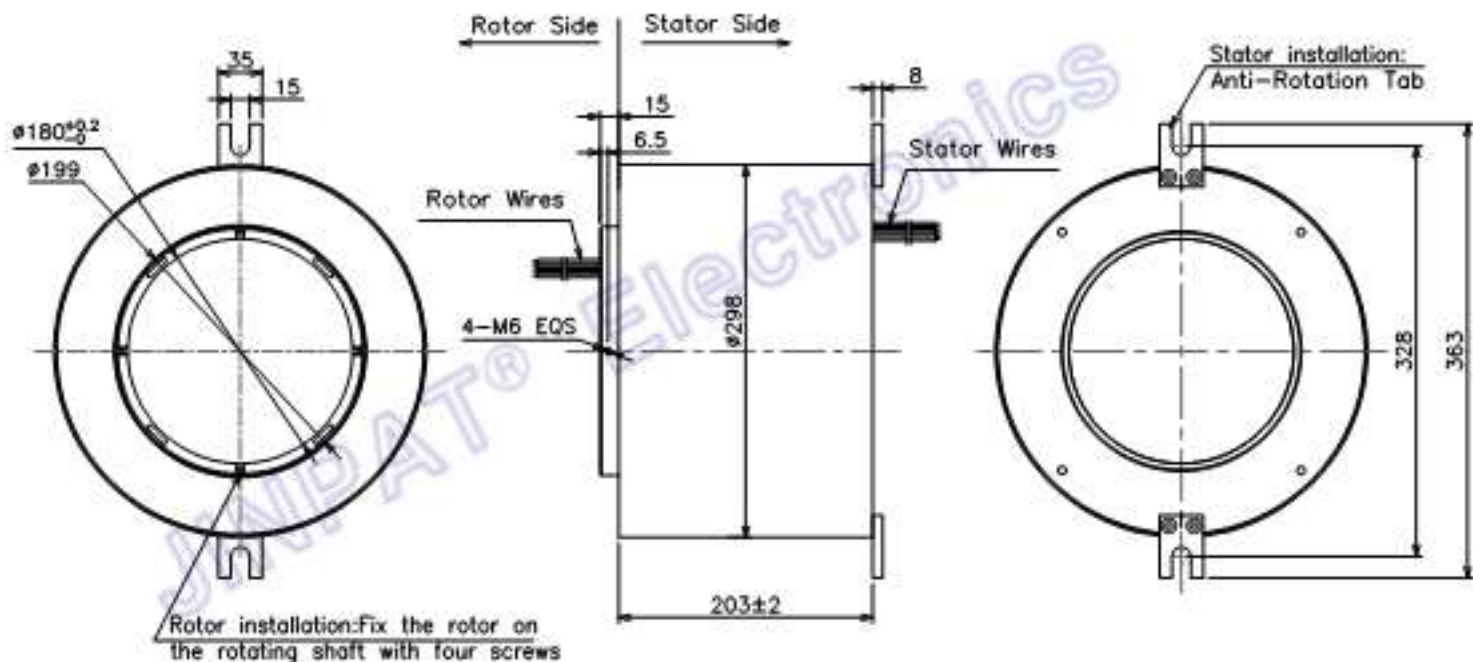
Electronics & Electric		Mechanical		
Druids	Total	18 GXT	Working Speed	0-300rpm
	Detail	18x15A	Inner Diameter	φ130mm
Rating Voltage		240V AC/DC	Contact Material	Precoat Metal
Detachable Strength		1000N@80Hz	Housing Material	Aluminum Alloy
Insulation Resistance		2000MΩ@50VDC	Lead Wire Length	Stator:300mm Rotor:300mm
Environment		Remarks		
Working Temperature		-20°C~+60°C	Application	/
Working Humidity		20-90%	Other	/
IP	IP58		Note: "T" stands for press, "C" stands for signal.	

  
**JINPAT**  
www.slipring.cn

MODEL	LPT180-1815					
Customer code	/		TITLE	Wiring Diagram		
UNIT	mm	PER UNITS SPECIFIED	DESIGN	LOO	DATE	2021.10.18
SCALE	1:1	LINEAR 0-10 1:1 10-20 1:2 20-100 1:3 ANGULAR at 1:3	CHECKED	UML	DATE	2021.10.18
PROJ.			REV.	NO	PAGE	2/2

REV	变更内容	日期	谁

This document is the property of JINPAT Electronics Co., Ltd (Shenzhen) (Hereafter "JINPAT"). It is lent and is to be returned upon request. The contents of this document are confidential and constitute trade secrets proprietary to JINPAT. Its contents document nor its contents shall be disclosed to any unauthorized person copied or published without JINPAT prior written consent.  
COPY RIGHT © 2021 JINPAT ELECTRONICS Co., Ltd (Shenzhen).



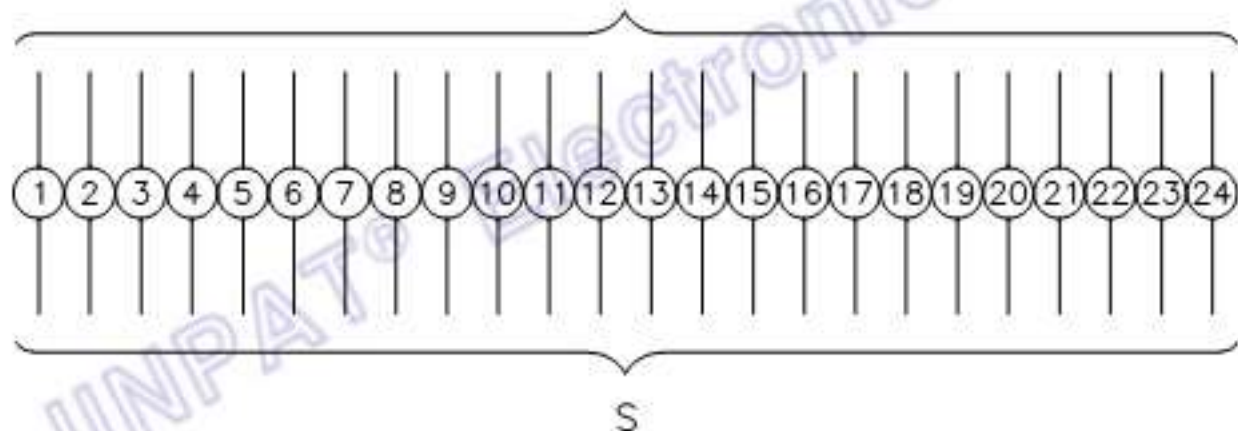
**JINPAT**  
www.slipping.cn

MODEL	LPT180-2405						
Customer code	/		TITLE	Outline Drawing			
UNIT	mm	NO. WHEN SHOWN	DESIGN	LOG	DATE	2021.10.18	
SCALE	1:1	UNIT	CHECKED	LWL	DATE	2021.10.18	
PROJ.	◆	UNIT	REV.	NO	PAGE	1/2	

NO.	CONTENT OF AMENDMENT	DATE	DRW


This document is the property of JINPAT Electronics Co., Ltd (ShenZhen) (Hereafter "JINPAT"). It is lent and is to be returned upon request. The contents of this document are confidential and constitute trade secrets proprietary to JINPAT. Its contents document nor its contents shall be disclosed to any unauthorized person copied or published without JINPAT prior written consent.  
COPY RIGHT © 2021 JINPAT ELECTRONICS Co., Ltd (ShenZhen).

R  
24Circuits \* 5A(240VAC)  
|  
AWG22# Teflon® UL



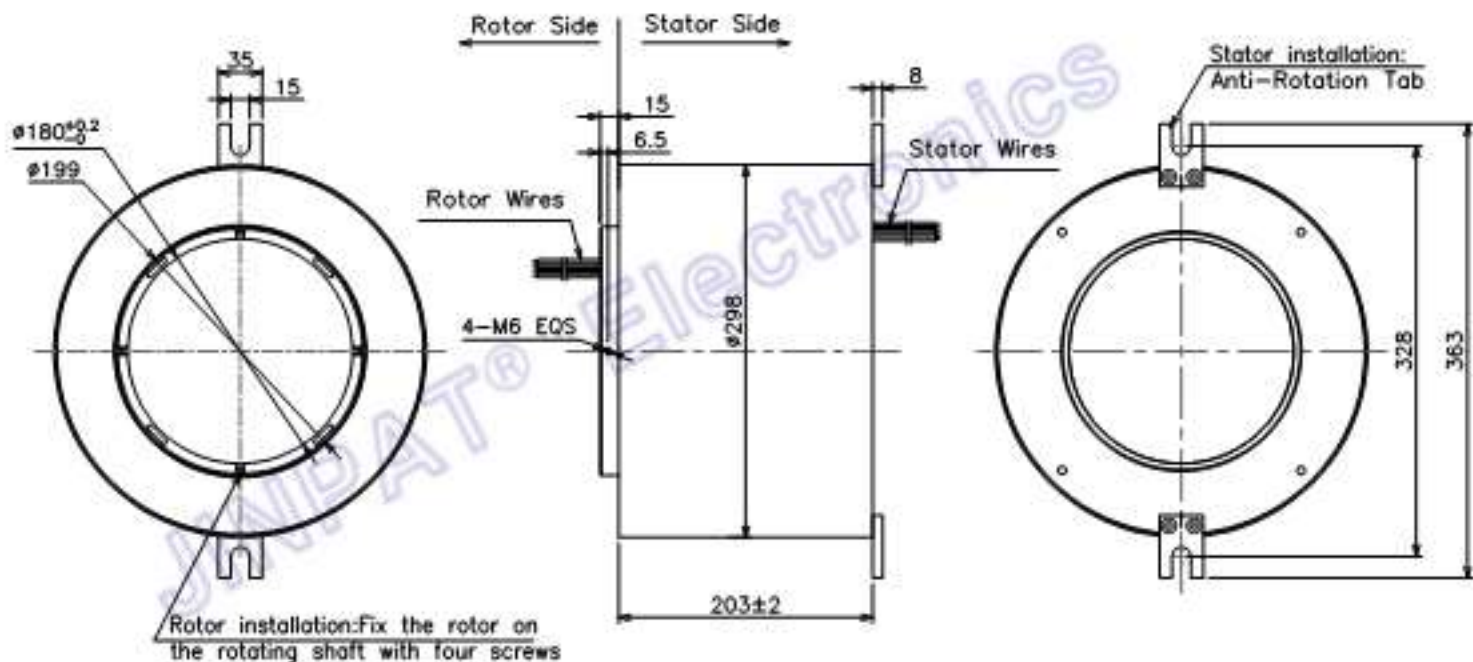
Electronics & Electric		Mechanical		
Circuits	Total	24 CIR	Working Speed	0-300gpm
	Detail	24x5A	Inner Diameter	φ130mm
Rating Voltage		240V AC/DC	Contact Material	Preform Metal
Detachable Strength		1000N(89NHz)	Housing Material	Aluminum Alloy
Insulation Resistance		2000MΩ(500VDC)	Lead Wire Length	Stroke:300mm Refer:300mm
Environment		Remarks		
Working Temperature		-20°C~+60°C	Application	/
Working Humidity		20-80%	Other	/
IP	IP58		Note: "T" stands for press, "C" stands for signal.	

  
**JINPAT**  
www.slipring.cn

MODEL	LPT180-2405					
Customer code	/		TITLE	Wiring Diagram		
UNIT	mm	PLS CHECK SPECIES	DESIGN	LOO	DATE	2021.10.18
SCALE	1:1		CHECKED	UML	DATE	2021.10.18
PROJ.			REV.	NO	PAGE	2/2

REV	变更内容	日期	谁

This document is the property of JINPAT Electronics Co., Ltd (ShenZhen) (Hereafter "JINPAT"). It is lent and is to be returned upon request. The contents of this document are confidential and constitute trade secrets proprietary to JINPAT. Its contents document nor its contents shall be disclosed to any unauthorized person copied or published without JINPAT prior written consent.  
COPY RIGHT © 2021 JINPAT ELECTRONICS Co., Ltd (ShenZhen).



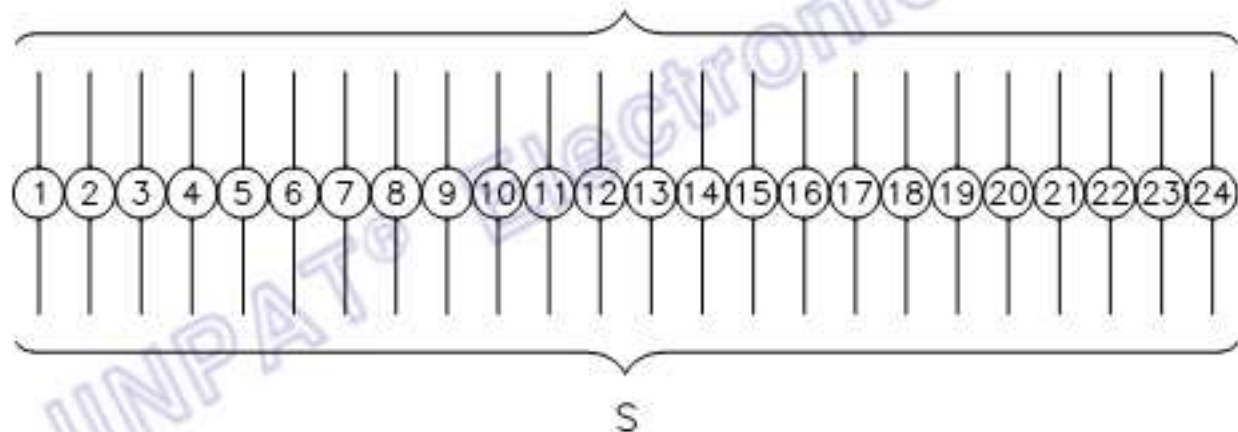
**JINPAT**  
www.sliping.cn

MODEL	LPT180-2410						
Customer code	/		TITLE	Outline Drawing			
UNIT	mm	NO. WHEN SHOWN	DESIGN	LOG	DATE	2021.10.18	
SCALE	1:1	UNIT	CHECKED	LWL	DATE	2021.10.18	
PROJ.	◆	UNIT	REV.	NO	PAGE	1/2	

NO.	CONTENT OF AMENDMENT	DATE	DRAW

This document is the property of JINPAT Electronics Co., Ltd (ShenZhen) (Hereafter "JINPAT"). It is lent and is to be returned upon request. The contents of this document are confidential and constitute trade secrets proprietary to JINPAT. Its contents document nor its contents shall be disclosed to any unauthorized person copied or published without JINPAT prior written consent.  
COPY RIGHT © 2021 JINPAT ELECTRONICS Co., Ltd (ShenZhen).

R  
24Circuits \* 10A(240VAC)  
|  
AWG17# Teflon® UL



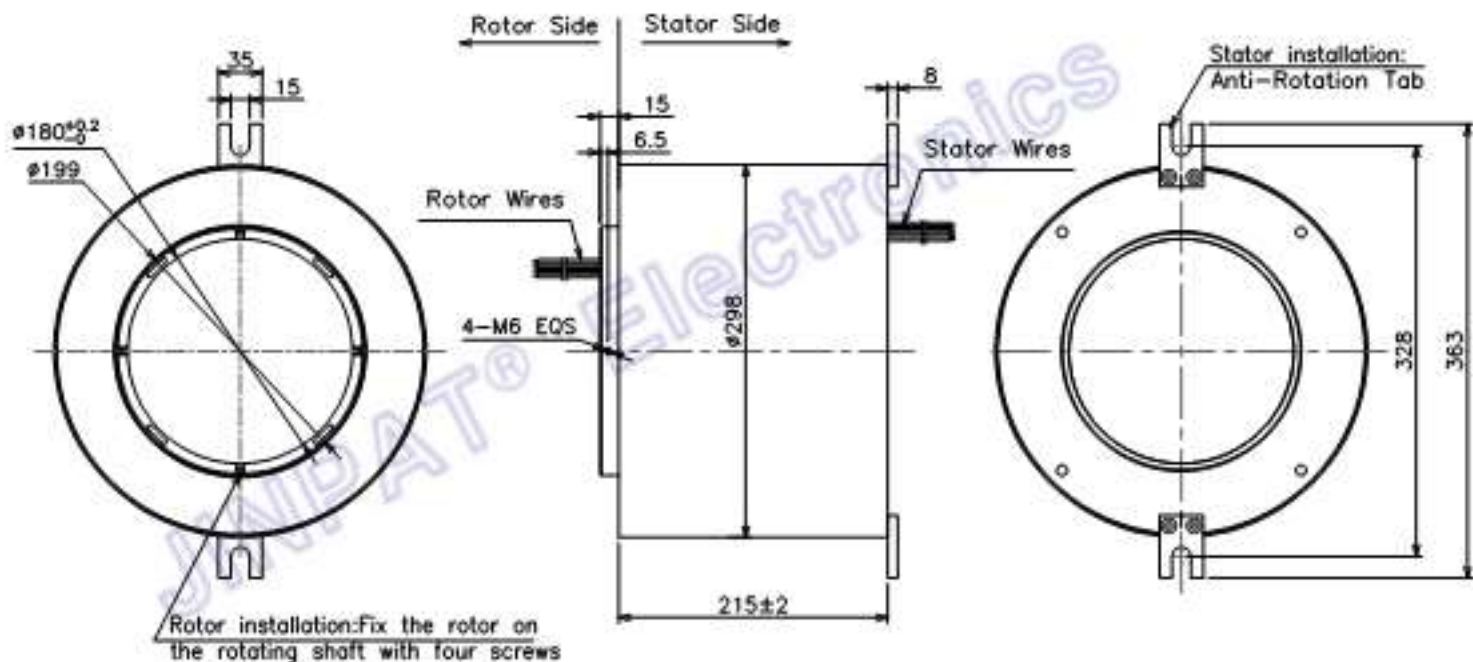
Electronics & Electric		Mechanical		
Circuits	Total	24 CIR	Working Speed	0-300rpm
	Detail	24x10A	Inner Diameter	φ130mm
Rating Voltage		240V AC/DC	Contact Material	Preform Metal
Breakdown Strength		1000V@50Hz	Housing Material	Aluminum Alloy
Insulation Resistance		2000MΩ@50VDC	Lead Wire Length	Strip:300mm Pin:300mm
Environment		Remarks		
Working Temperature		-20°C~+60°C	Application	/
Working Humidity		20-90%	Other	/
IP	IP58		Note: "P" stands for press, "T" stands for signal.	

**JINPAT**  
www.slipring.cn

MODEL	LPT180-2410					
Customer code	/		TITLE	Wiring Diagram		
UNIT	mm	PER UNITS SPECIFIED	DESIGN	LOO	DATE	2021.10.18
SCALE	1:1		CHECKED	LM	DATE	2021.10.18
PROJ.		LINEAR 0-18 1:1 18-25 1:2 25-120 1:3 ANGULAR at 1:3	REV.	NO	PAGE	2/2

REV	变更内容	日期	谁

This document is the property of JINPAT Electronics Co., Ltd (Shenzhen) (Hereafter "JINPAT"). It is lent and is to be returned upon request. The contents of this document are confidential and constitute trade secrets proprietary to JINPAT. Its contents document nor its contents shall be disclosed to any unauthorized person copied or published without JINPAT prior written consent.  
COPY RIGHT © 2021 JINPAT ELECTRONICS Co., Ltd (Shenzhen).



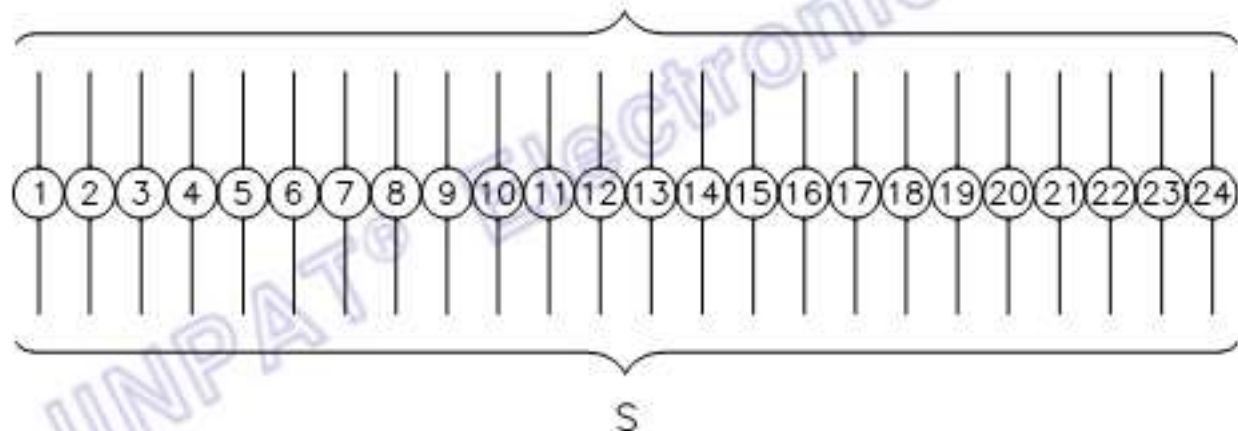
**JINPAT**  
www.slipping.cn

MODEL	LPT180-2415						
Customer code	/		TITLE	Outline Drawing			
UNIT	mm	NO. WHEN SHOWN	DESIGN	LOG	DATE	2021.10.18	
SCALE	1:1	UNIT	CHECKED	LWL	DATE	2021.10.18	
PROJ.	◆	UNIT	REV.	NO	PAGE	1/2	

NO.	CONTENT OF AMENDMENT	DATE	DRW


This document is the property of JINPAT Electronics Co., Ltd (ShenZhen) (Hereafter "JINPAT"). It is lent and is to be returned upon request. The contents of this document are confidential and constitute trade secrets proprietary to JINPAT. Its contents document nor its contents shall be disclosed to any unauthorized person copied or published without JINPAT prior written consent.  
COPY RIGHT © 2021 JINPAT ELECTRONICS Co., Ltd (ShenZhen).

R  
24Circuits \* 15A(240VAC)  
|  
AWG14# Teflon® UL



Electronics & Electric		Mechanical		
Circuits	Total	24 CIR	Working Speed	0-300rpm
	Detail	24x15A	Inner Diameter	φ100mm
Rating Voltage		240V AC/DC	Contact Material	Preform Metal
Detachable Strength		1000N/0.85Hz	Housing Material	Aluminum Alloy
Insulation Resistance		2000MΩ/500VDC	Lead Wire Length	Strip:300mm Refer:300mm
Environment		Remarks		
Working Temperature		-20°C~+60°C	Application	/
Working Humidity		20-90%	Other	/
IP	IP58	Note: "T" stands for press, "C" stands for signal.		

  
**JINPAT**  
www.slipring.cn

MODEL	LPT180-2415						
Customer code	/		TITLE	Wiring Diagram			
UNIT	mm	PLS CHECK SPECIES	DESIGN	LOO	DATE	2021.10.18	
SCALE	1:1		CHECKED	LM	DATE	2021.10.18	
PROJ.			REV.	NO	PAGE	2/2	