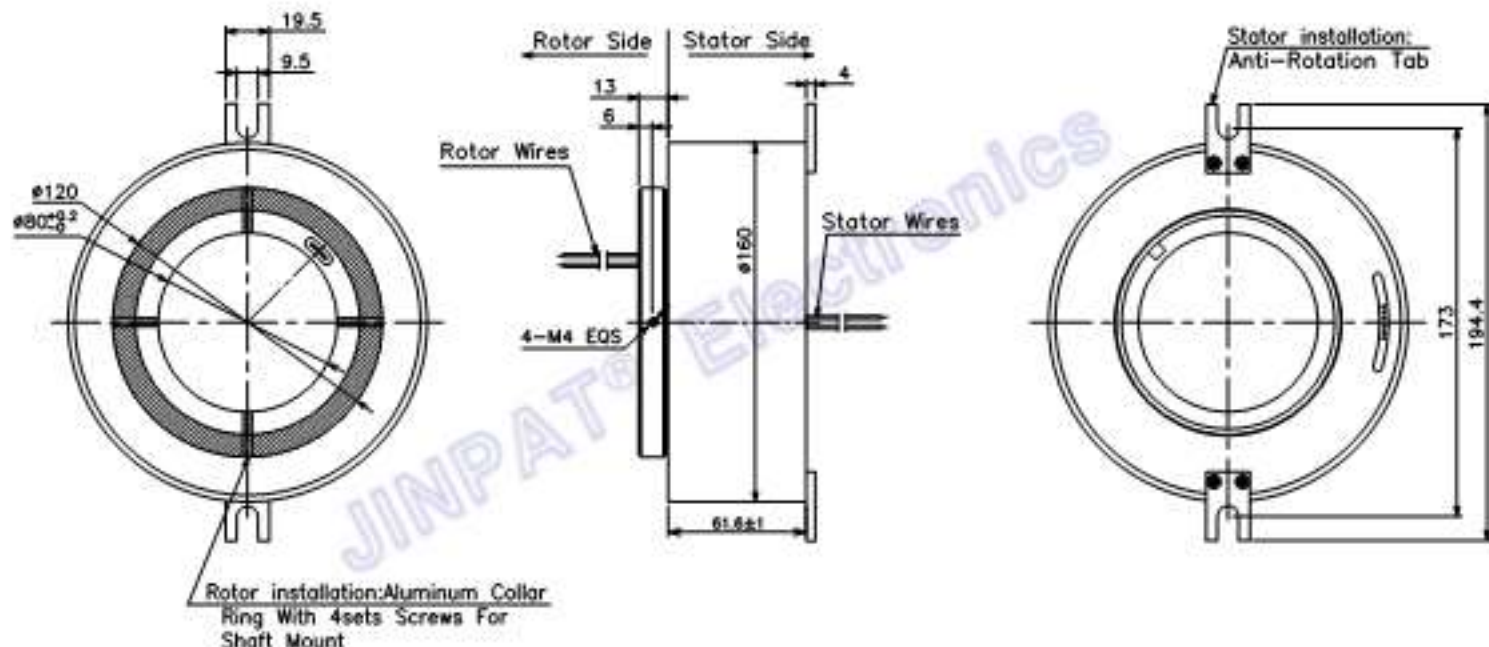


NO.	CONTENT OF AMENDMENT	DATE	BY

This document is the property of JINPAT Electronics Co., Ltd (Shenzhen) (Hereafter "JINPAT"). It is lent and is to be returned upon request. The contents of this document are confidential and constitute trade secrets proprietary to JINPAT. Its contents document nor its contents shall be disclosed to any unauthorized person copied or published without JINPAT prior written consent.
COPY RIGHT © 2018 JINPAT ELECTRONICS Co., Ltd (Shenzhen).



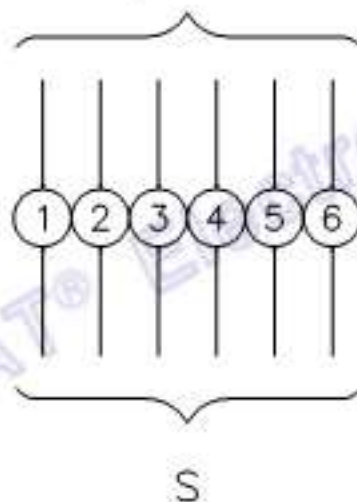
JINPAT
www.slipring.cn

MODEL	LPT080-0605						
Customer code	/		TITLE	Outline Drawing			
UNIT	mm	THE UNITS SPECIFIED	DESIGN	HYM	DATE	2018.08.03	
SCALE	1:1	LINE 1-19 00.1 20-22 00.10 23-25 00.2 26-27 00.2 28-29 00.2	CHECKED	LML	DATE	2018.08.03	
PROJ.		REV.	AG	PAGE	1/2		

NO.	CONTENT OF AMENDMENT	DATE	BY

This document is the property of JINPAT Electronics Co., Ltd (ShenZhen) (Hereafter "JINPAT"). It is lent and is to be returned upon request. The contents of this document are confidential and constitute trade secrets proprietary to JINPAT. Its contents document nor its contents shall be disclosed to any unauthorized person copied or published without JINPAT prior written consent.
COPY RIGHT © 2018 JINPAT ELECTRONICS Co., Ltd (ShenZhen).

R
6Circuits * 5A(240VAC)
|
AWG22# Teflon® UL



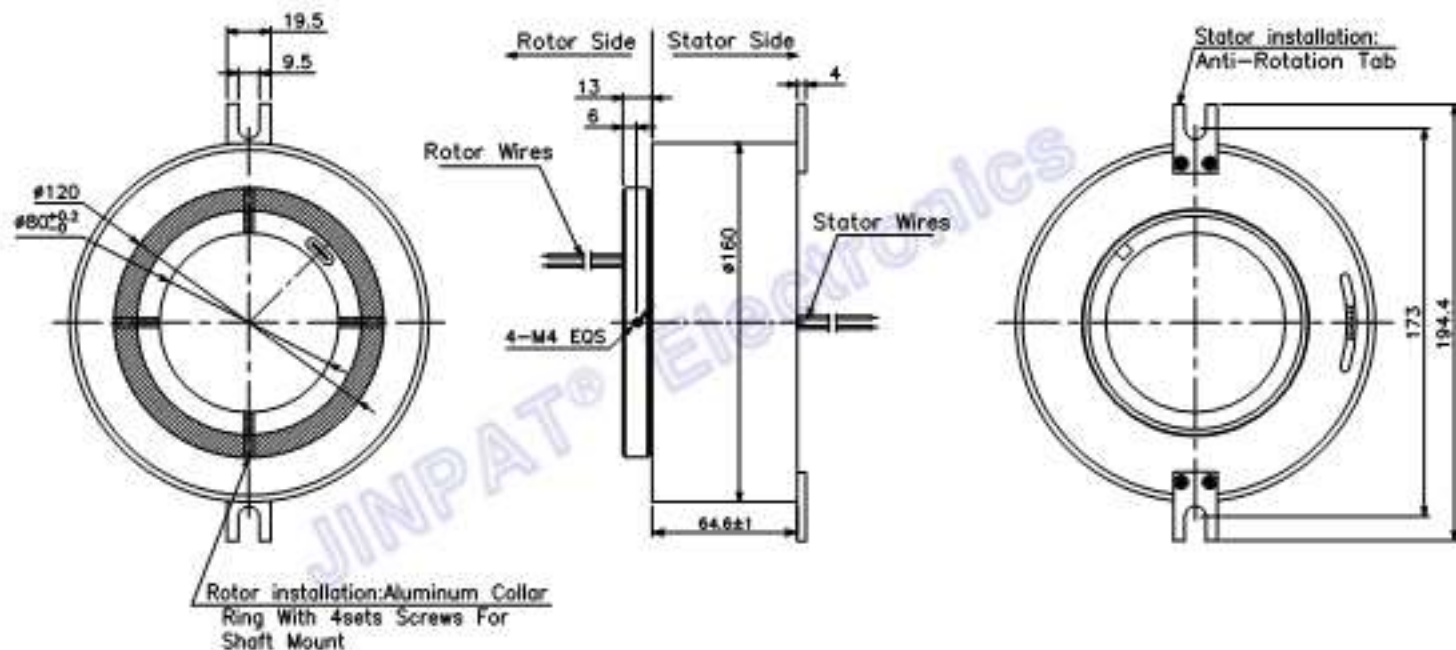
Electronic & Electric		Mechanical		
Circuits	Total	8 CIR	Working Speed	0~300rpm
	Detail	6x5A	Inner Diameter	400mm
Rating Voltage	240V AC/DC	Contact Material	Precious Metal	
Dielectric Strength	1000VAC@50Hz	Housing Material	Aluminum Alloy	
Insulation Resistance	>500MΩ@500VDC	Lead Wire Length	Stator:300mm Rotor:300mm	
Environment		Remarks		
Working Temperature	-30°C~+80°C	Other	/	
Working Humidity	40%RH			


JINPAT
www.slipring.cn

MODEL	LPT080-0605					
Customer code	/		TITLE	Wiring Diagram		
UNIT	mm	ALL UNITS SPECIFIED IN MM	DESIGN	HW	DATE	2018.08.03
SCALE	1:1	5-18 55.1 18-25 62.1 25-30 65.2 30-35 68.3	CHECKED	LWL	DATE	2018.08.03
PROJ.		REV.	AG	PAGE	2/2	

REV	CONTENT OF AMENDMENT	DATE	BY

This document is the property of JINPAT Electronics Co., Ltd (Shenzhen) (Hereafter "JINPAT"). It is lent and is to be returned upon request. The contents of this document are confidential and constitute trade secrets proprietary to JINPAT. Its contents document nor its contents shall be disclosed to any unauthorized person copied or published without JINPAT prior written consent.
COPY RIGHT © 2018 JINPAT ELECTRONICS Co., Ltd (Shenzhen).



JINPAT
www.slipring.cn

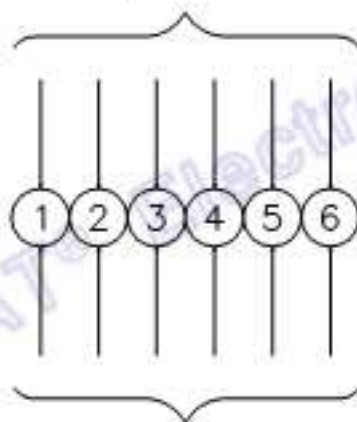
MODEL	LPT080-0610						
Customer code	/	TITLE	Outline Drawing				
UNIT	mm	DESIGN	HYM	DATE	2018.08.03		
SCALE	1:1	CHECKED	LML	DATE	2018.08.03		
PROJ.		REV.	AG	PAGE	1/2		

NO.	CONTENT OF AMENDMENT	DATE	BY

This document is the property of JINPAT Electronics Co., Ltd (ShenZhen) (Hereafter "JINPAT"). It is lent and is to be returned upon request. The contents of this document are confidential and constitute trade secrets proprietary to JINPAT. Its contents document nor its contents shall be disclosed to any unauthorized person copied or published without JINPAT prior written consent.
COPY RIGHT © 2018 JINPAT ELECTRONICS Co., Ltd (ShenZhen).

R
6Circuits * 10A(240VAC)

|
AWG17# Teflon® UL



S

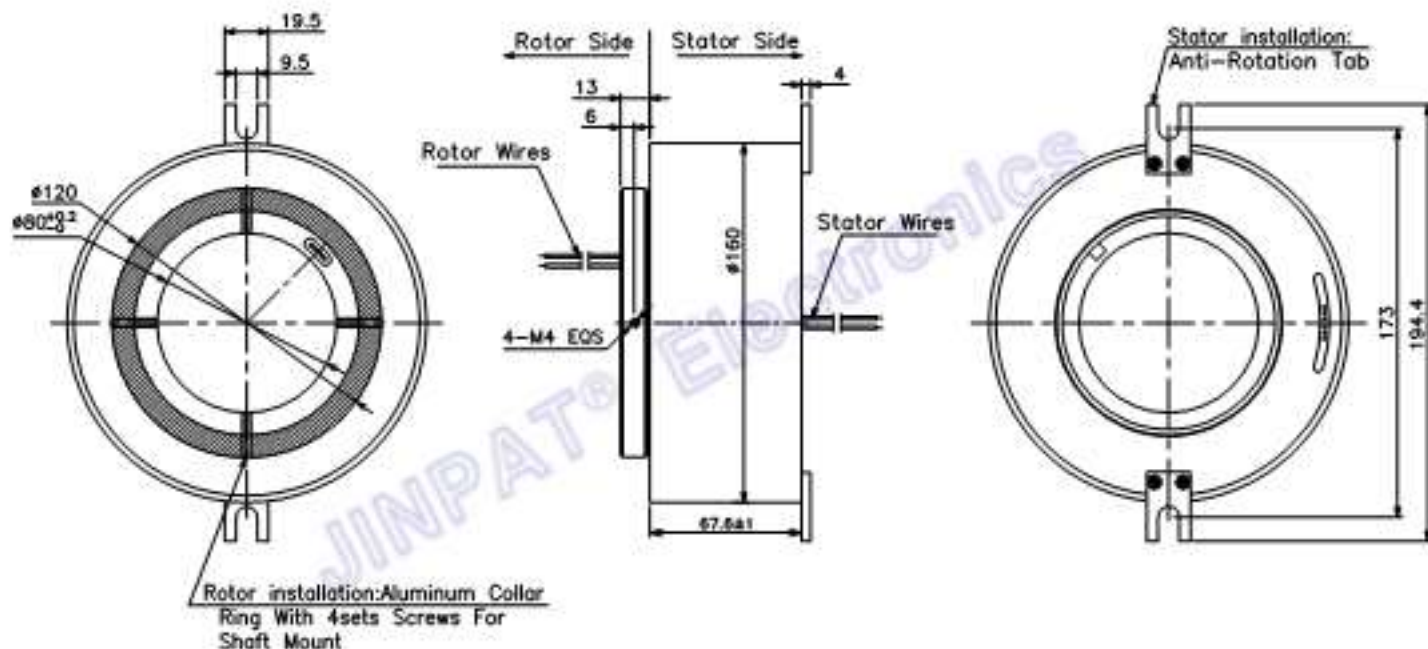
Electronic & Electric		Mechanical		
Circuits	Total	6 CIR	Working Speed	0-300rpm
	Detail	6x10A	Inner Diameter	400mm
Rating Voltage	240V AC/DC	Contact Material	Pre-cious Metal	
Dielectric Strength	1000VAC@50Hz	Housing Material	Aluminium Alloy	
Insulation Resistance	>500MΩ@500VDC	Lead Wire Length	Stator:300mm Rotor:300mm	
Environment		Remarks		
Working Temperature	-30°C~+80°C	Other	/	
Working Humidity	40%RH			


JINPAT
www.slipring.cn

MODEL	LPT080-0610					
Customer code	/		TITLE	Wiring Diagram		
UNIT	mm	ALL UNITS SPECIFIED	DESIGN	HYM	DATE	2018.08.03
SCALE	1:1	UNLESS SPECIFIED 1:10 1:5 1:20 1:50 1:100 1:200 1:500 1:1000	CHECKED	LML	DATE	2018.08.03
PROJ.		REV.	AG	PAGE	2/2	

NO.	CONTENT OF AMENDMENT	DATE	BY

This document is the property of JINPAT Electronics Co., Ltd (Shenzhen) (Hereafter "JINPAT"). It is lent and is to be returned upon request. The contents of this document are confidential and constitute trade secrets proprietary to JINPAT. Its contents document nor its contents shall be disclosed to any unauthorized person copied or published without JINPAT prior written consent.
COPY RIGHT © 2018 JINPAT ELECTRONICS Co., Ltd (Shenzhen).



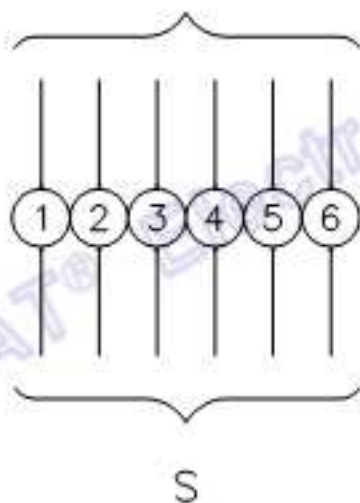
JINPAT
www.slipring.cn

MODEL	LPT080-0615						
Customer code	/		TITLE	Outline Drawing			
UNIT	mm	TO BE SPECIFIED	DESIGN	HYM	DATE	2018.08.03	
SCALE	1:1	UNLESS SPECIFIED	CHECKED	LML	DATE	2018.08.03	
PROJ.		UNLESS SPECIFIED	REV.	AG	PAGE	1/2	

NO.	CONTENT OF AMENDMENT	DATE	BY

This document is the property of JINPAT Electronics Co., Ltd (ShenZhen) (Hereafter "JINPAT"). It is lent and is to be returned upon request. The contents of this document are confidential and constitute trade secrets proprietary to JINPAT. Its contents document nor its contents shall be disclosed to any unauthorized person copied or published without JINPAT prior written consent.
COPY RIGHT © 2018 JINPAT ELECTRONICS Co., Ltd (ShenZhen).

R
6Circuits * 15A(240VAC)
|
AWG14# Teflon® UL



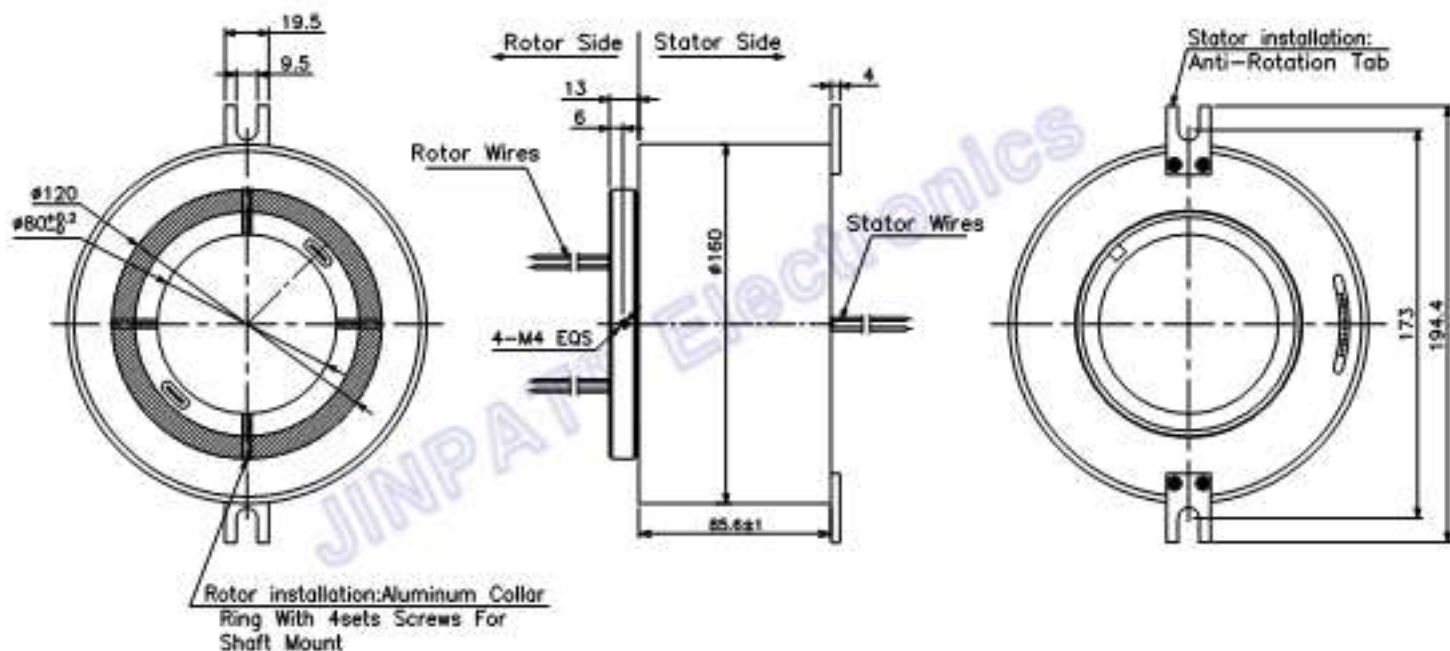
Electronic & Electric		Mechanical		
Circuits	Total	6 CRT	Working Speed	0-300rpm
	Detail	6/15A	Inner Diameter	400mm
Rating Voltage	240V AC/DC	Contact Material	Preious Metal	
Dielectric Strength	1000VAC@50Hz	Housing Material	Aluminium Alloy	
Insulation Resistance	>500MΩ@500VDC	Lead Wire Length	Stator:300mm Rotor:300mm	
Environment		Remarks		
Working Temperature	-30°C~+80°C	Other	/	
Working Humidity	40%RH			

JINPAT
www.slipring.cn

MODEL	LPT080-0615					
Customer code	/		TITLE	Wiring Diagram		
LWT	mm	PL WIRE SPECIFIED	DESIGN	HW	DATE	2018.08.03
SCALE	1:1	5-19 AWG 20-22 AWG 24-26 AWG 28-30 AWG	CHECKED	LWL	DATE	2018.08.03
PROJ.		AWG	REV.	AG	PAGE	2/2

REV	CONTENT OF AMENDMENT	DATE	BY

This document is the property of JINPAT Electronics Co., Ltd (Shenzhen) (Hereafter "JINPAT"). It is lent and is to be returned upon request. The contents of this document are confidential and constitute trade secrets proprietary to JINPAT. Its contents document nor its contents shall be disclosed to any unauthorized person copied or published without JINPAT prior written consent.
COPY RIGHT © 2018 JINPAT ELECTRONICS Co., Ltd (Shenzhen).



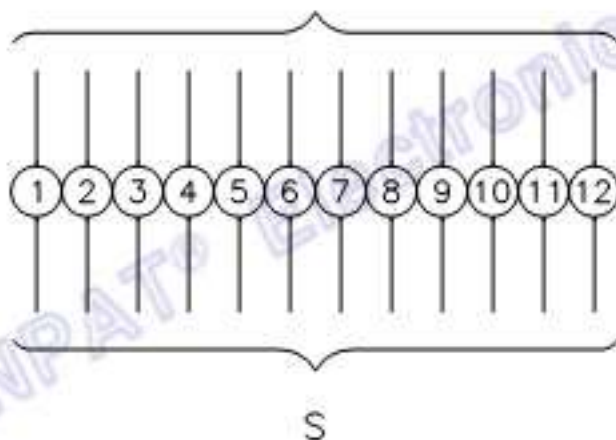
JINPAT
www.slipring.cn

MODEL	LPT080-1205						
Customer code	/		TITLE	Outline Drawing			
UNIT	mm	THE UNITS SPECIFIED	DESIGN	HYM	DATE	2018.08.03	
SCALE	1:1	UNLESS OTHERWISE SPECIFIED	CHECKED	LML	DATE	2018.08.03	
PROJ.		1:1	REV.	AG	PAGE	1/2	

NO.	CONTENT OF AMENDMENT	DATE	BY


This document is the property of JINPAT Electronics Co., Ltd (Shenzhen) (Hereafter "JINPAT"). It is lent and is to be returned upon request. The contents of this document are confidential and constitute trade secrets proprietary to JINPAT. Its contents document nor its contents shall be disclosed to any unauthorized person copied or published without JINPAT prior written consent.
COPY RIGHT © 2018 JINPAT ELECTRONICS Co., Ltd (Shenzhen).

R
12Circuits * 5A(240VAC)
|
AWG22# Teflon® UL



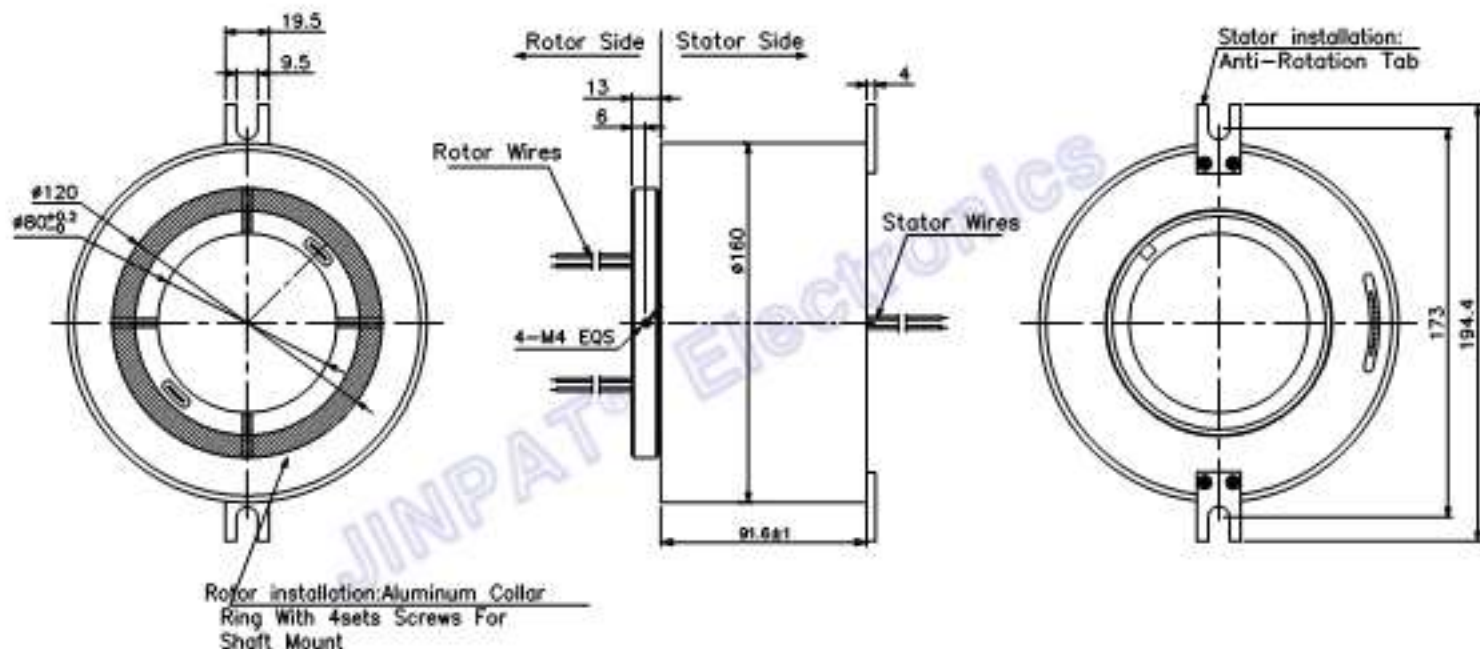
Electronic & Electric		Mechanical		
Circuits	Total	12 Ckt	Working Speed	0~300rpm
	Detail	12*5A	Inner Diameter	400mm
Rating Voltage	240V AC/DC	Contact Material	Prealox Metal	
Dielectric Strength	1000VAC@50Hz	Housing Material	Aluminum Alloy	
Insulation Resistance	>500MΩ@500VDC	Lead Wire Length	Stator:300mm Rotor:300mm	
Environment		Remarks		
Working Temperature	-30°C~+80°C	Other	/	
Working Humidity	40%RH			


JINPAT
www.slipring.cn

MODEL	LPT080-1205					
Customer code	/		TITLE	Wiring Diagram		
UNIT	mm	ALL UNITS SPECIFIED IN MM	DESIGN	HYM	DATE	2018.08.03
SCALE	1:1	5-18 55.1 18-25 62.1 25-30 65.2 30-35 68.3	CHECKED	LML	DATE	2018.08.03
PROJ.		REV.	AG	PAGE	2/2	

NO.	CONTENT OF AMENDMENT	DATE	BY

This document is the property of JINPAT Electronics Co., Ltd (Shenzhen) (Hereafter "JINPAT"). It is lent and is to be returned upon request. The contents of this document are confidential and constitute trade secrets proprietary to JINPAT. Its contents document nor its contents shall be disclosed to any unauthorized person copied or published without JINPAT prior written consent.
COPY RIGHT © 2018 JINPAT ELECTRONICS Co., Ltd (Shenzhen).



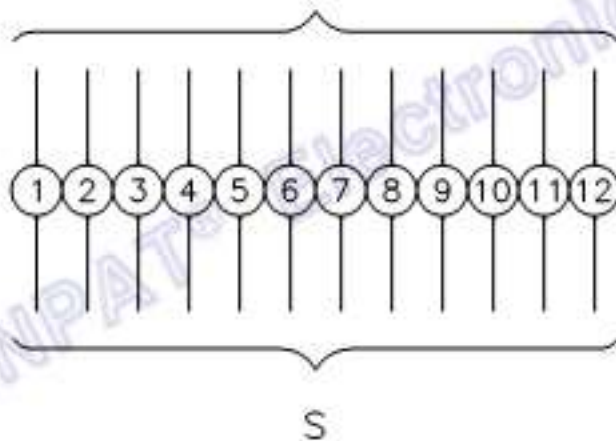
JINPAT
www.slipring.cn

MODEL	LPT080-1210						
Customer code	/		TITLE	Outline Drawing			
UNIT	mm	UNLESS SPECIFIED	DESIGN	HYM	DATE	2018.08.03	
SCALE	1:1	UNLESS SPECIFIED	CHECKED	LML	DATE	2018.08.03	
PROJ.			REV.	AG	PAGE	1/2	

NO.	CONTENT OF AMENDMENT	DATE	BY


This document is the property of JINPAT Electronics Co., Ltd (ShenZhen) (Hereafter "JINPAT"). It is lent and is to be returned upon request. The contents of this document are confidential and constitute trade secrets proprietary to JINPAT. Its contents document nor its contents shall be disclosed to any unauthorized person copied or published without JINPAT prior written consent.
COPY RIGHT © 2018 JINPAT ELECTRONICS Co., Ltd (ShenZhen).

R
12Circuits * 10A(240VAC)
|
AWG17# Teflon® UL



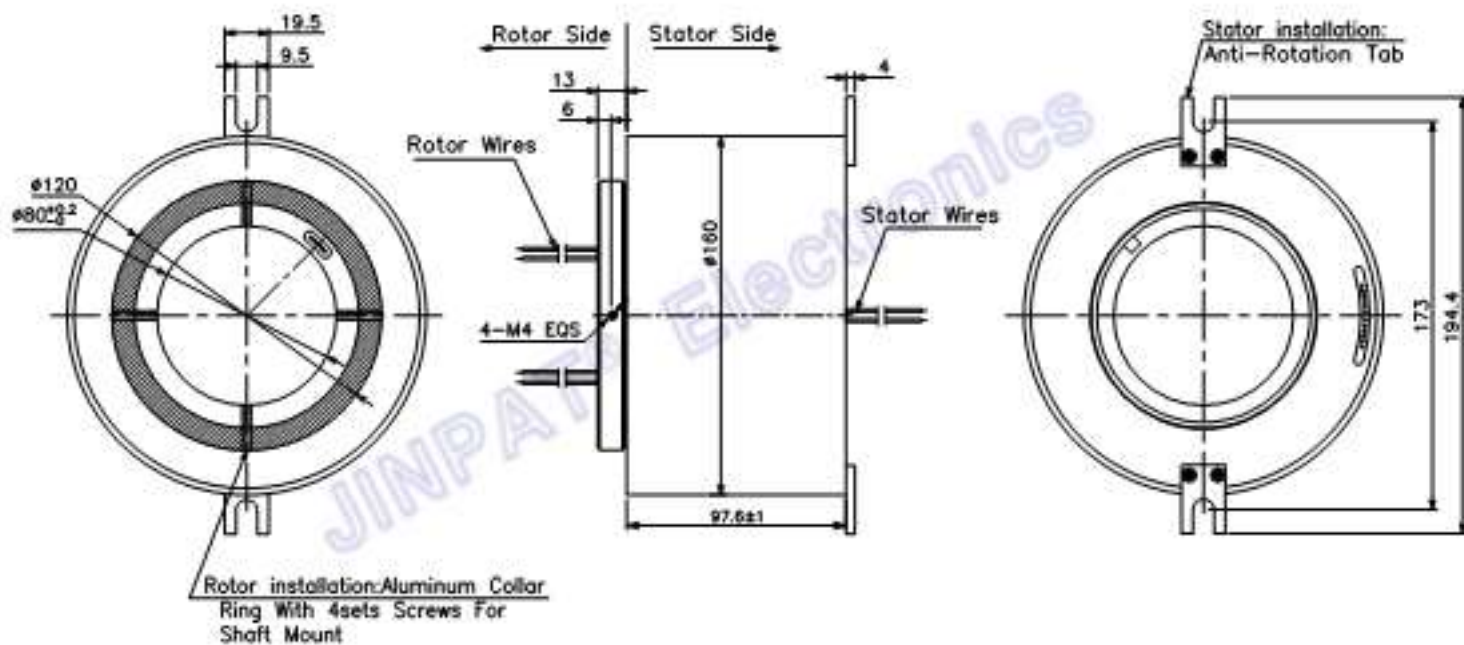
Electronic & Electric			Mechanical	
Circuits	Total	12 CIR	Working Speed	0-300rpm
	Detail	12x10R	Inner Diameter	400mm
Rating Voltage	240V AC/DC		Contact Material	Preious Metal
Dielectric Strength	1000VAC@50Hz		Housing Material	Aluminium Alloy
Insulation Resistance	≥500MΩ@500VDC		Lead Wire Length	Stator:300mm Rotor:300mm
Environment			Remarks	
Working Temperature	-30℃~+80℃		Other	/
Working Humidity	40%RH			


JINPAT
www.slipring.cn

MODEL	LPT080-1210					
Customer code	/		TITLE	Wiring Diagram		
LWT	mm	PL UNITS SPECIFIED	DESIGN	HW	DATE	2018.08.03
SCALE	1:1	<small> 0-10 00.1 10-20 00.10 20-30 00.2 30-40 00.3 40-50 00.4 50-60 00.5 60-70 00.6 70-80 00.7 80-90 00.8 90-100 00.9 </small>	CHECKED	LWL	DATE	2018.08.03
PROJ.		REV.	AG	PAGE	2/2	

NO.	CONTENT OF AMENDMENT	DATE	BY

This document is the property of JINPAT Electronics Co., Ltd (Shenzhen) (Hereafter "JINPAT"). It is lent and is to be returned upon request. The contents of this document are confidential and constitute trade secrets proprietary to JINPAT. Its contents document nor its contents shall be disclosed to any unauthorized person copied or published without JINPAT prior written consent.
COPY RIGHT © 2018 JINPAT ELECTRONICS Co., Ltd (Shenzhen).



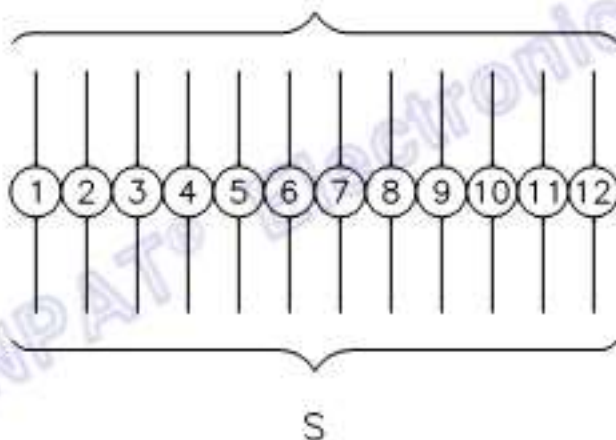
JINPAT
www.slipring.cn

MODEL	LPT080-1215						
Customer code	/		TITLE	Outline Drawing			
UNIT	mm	NO. WIRE SPECIFIED	DESIGN	HYM	DATE	2018.08.03	
SCALE	1:1	LINE NO. 1-10 11-15 16-20 21-25 26-30 31-35 36-40 41-45 46-50 51-55 56-60 61-65 66-70 71-75 76-80 81-85 86-90 91-95 96-100	CHECKED	LML	DATE	2018.08.03	
PROJ.		REV.	AG	PAGE	1/2		

NO.	CONTENT OF AMENDMENT	DATE	BY


This document is the property of JINPAT Electronics Co., Ltd (ShenZhen) (Hereafter "JINPAT"). It is lent and is to be returned upon request. The contents of this document are confidential and constitute trade secrets proprietary to JINPAT. Its contents document nor its contents shall be disclosed to any unauthorized person copied or published without JINPAT prior written consent.
COPY RIGHT © 2018 JINPAT ELECTRONICS Co., Ltd (ShenZhen).

R
12Circuits * 15A(240VAC)
|
AWG14# Teflon® UL



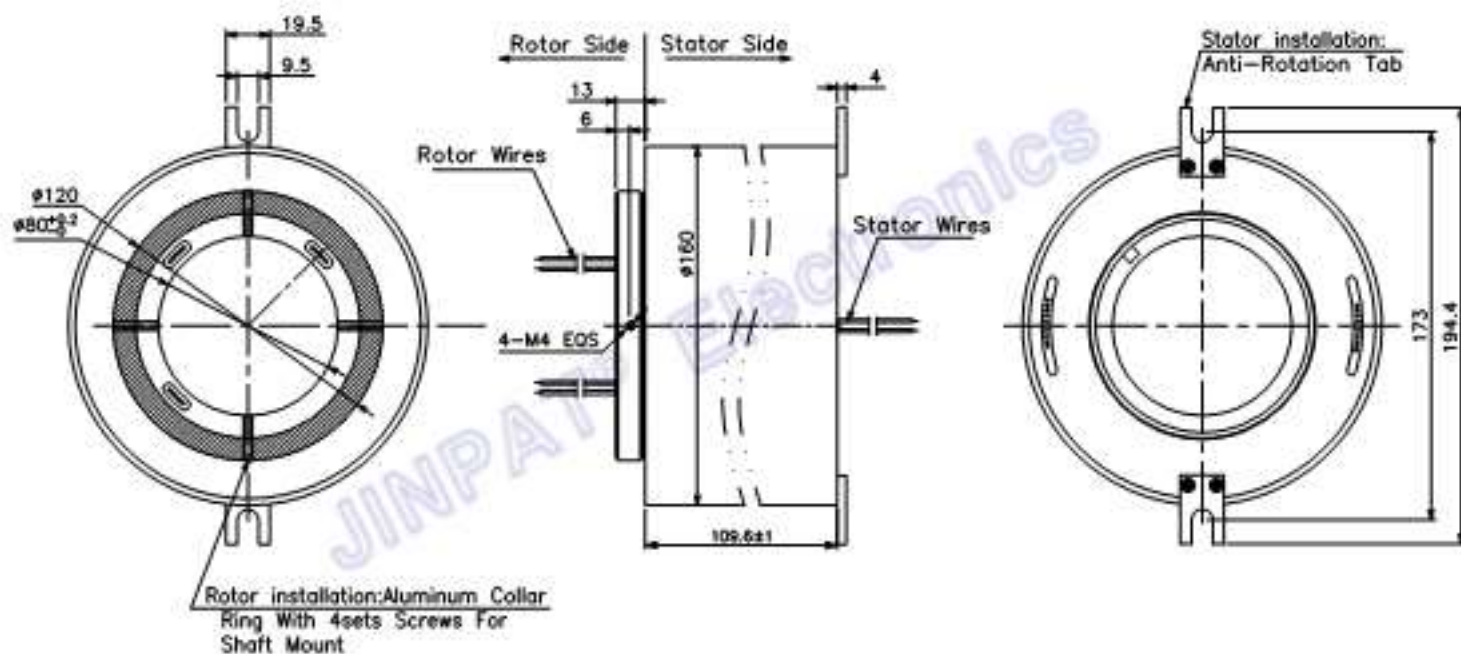
Electronic & Electric			Mechanical	
Circuits	Total	12 Ckt	Working Speed	0~300rpm
	Detail	12x15A	Inner Diameter	400mm
Rating Voltage	240V AC/DC	Contact Material	Precious Metal	
Dielectric Strength	1000VAC@50Hz	Housing Material	Aluminum Alloy	
Insulation Resistance	>500MΩ@500VDC	Lead Wire Length	Stator:300mm	Rotor:300mm
Environment			Remarks	
Working Temperature	-30°C~+80°C	Other	/	
Working Humidity	40%RH			


JINPAT
www.slipring.cn

MODEL	LPT080-1215						
Customer code	/		TITLE	Wiring Diagram			
UNIT	mm	ALL UNITS SPECIFIED	DESIGN	HYM	DATE	2018.08.03	
SCALE	1:1	UNLESS SPECIFIED	CHECKED	LML	DATE	2018.08.03	
PROJ.		UNLESS SPECIFIED	REV.	AG	PAGE	2/2	

NO.	CONTENT OF AMENDMENT	DATE	BY

This document is the property of JINPAT Electronics Co., Ltd (Shenzhen) (Hereafter "JINPAT"). It is lent and is to be returned upon request. The contents of this document are confidential and constitute trade secrets proprietary to JINPAT. Its contents document nor its contents shall be disclosed to any unauthorized person copied or published without JINPAT prior written consent.
COPY RIGHT © 2018 JINPAT ELECTRONICS Co., Ltd (Shenzhen).



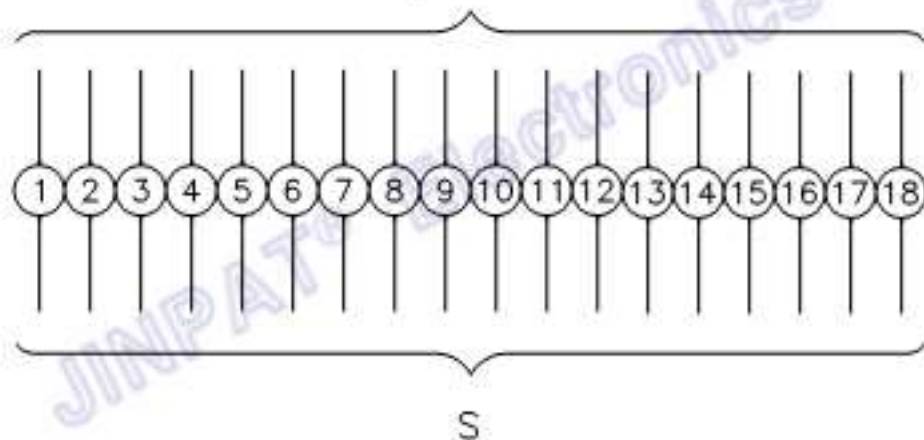
JINPAT
www.slipring.cn

MODEL	LPT080-1805						
Customer code	/		TITLE	Outline Drawing			
UNIT	mm	UNLESS SPECIFIED	DESIGN	HYM	DATE	2018.08.03	
SCALE	1:1	UNLESS SPECIFIED	CHECKED	LML	DATE	2018.08.03	
PROJ.		UNLESS SPECIFIED	REV.	AG	PAGE	1/2	

NO.	CONTENT OF AMENDMENT	DATE	BY


This document is the property of JINPAT Electronics Co., Ltd (ShenZhen) (Hereafter "JINPAT"). It is lent and is to be returned upon request. The contents of this document are confidential and constitute trade secrets proprietary to JINPAT. Its contents document nor its contents shall be disclosed to any unauthorized person copied or published without JINPAT prior written consent.
COPY RIGHT © 2018 JINPAT ELECTRONICS Co., Ltd (ShenZhen).

R
18Circuits * 5A(240VAC)
|
AWG22# Teflon® UL



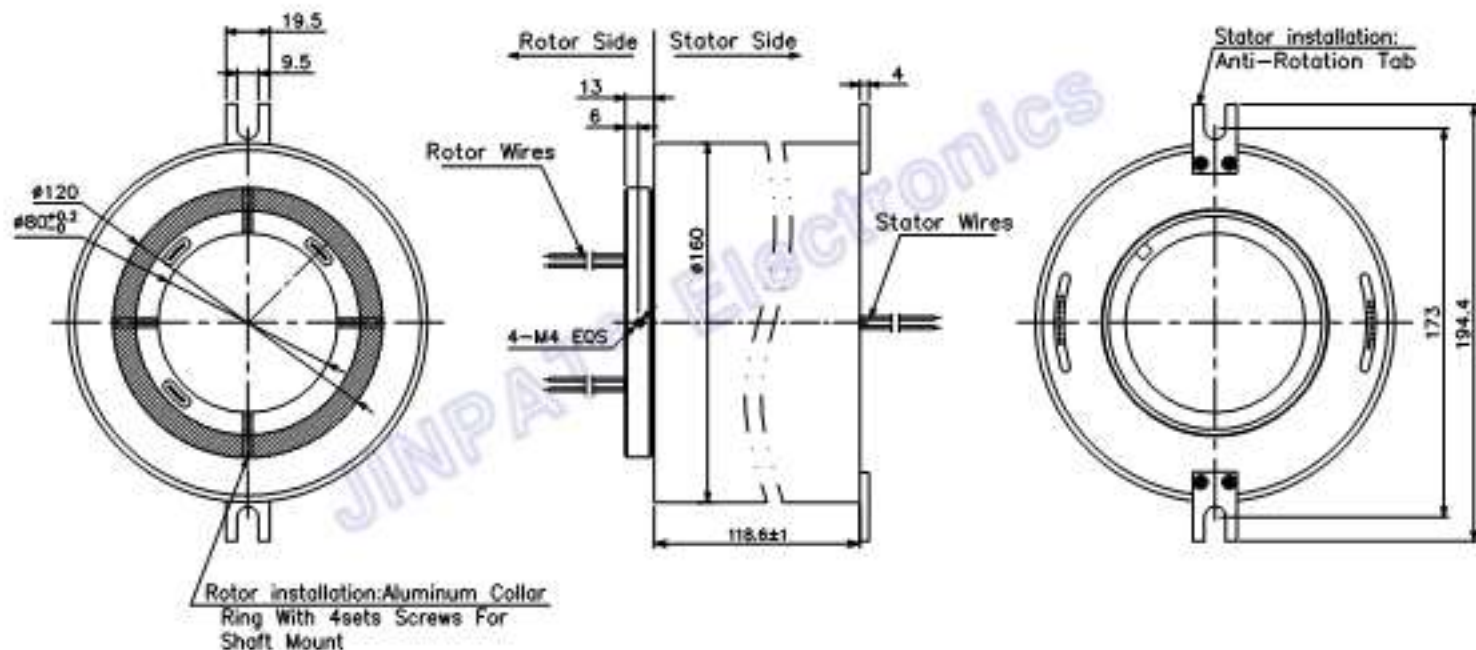
Electronic & Electric		Mechanical		
Circuits	Total	18 Ckt	Working Speed	0~300rpm
	Detail	18-5A	Inner Diameter	400mm
Rating Voltage	240V AC/DC	Contact Material	Phospor Metal	
Dielectric Strength	1000VAC@50Hz	Housing Material	Aluminum Alloy	
Insulation Resistance	>500MΩ@500VDC	Lead Wire Length	Stator:300mm Rotor:300mm	
Environment		Remarks		
Working Temperature	-30°C~+80°C	Other	/	
Working Humidity	40%RH			


JINPAT
www.slipring.cn

MODEL	LPT080-1805						
Customer code	/		TITLE	Wiring Diagram			
UNIT	mm	PL. UNITS SPECIFIED	DESIGN	HYM	DATE	2018.08.03	
SCALE	1:1	5-19 55.1 20-22 52.1 23-25 50.2 26-28 48.2	CHECKED	LML	DATE	2018.08.03	
PROJ.		REV.	AG	PAGE	2/2		

NO.	CONTENT OF AMENDMENT	DATE	BY

This document is the property of JINPAT Electronics Co., Ltd (Shenzhen) (Hereafter "JINPAT"). It is lent and is to be returned upon request. The contents of this document are confidential and constitute trade secrets proprietary to JINPAT. Its contents document nor its contents shall be disclosed to any unauthorized person copied or published without JINPAT prior written consent.
COPY RIGHT © 2018 JINPAT ELECTRONICS Co., Ltd (Shenzhen).



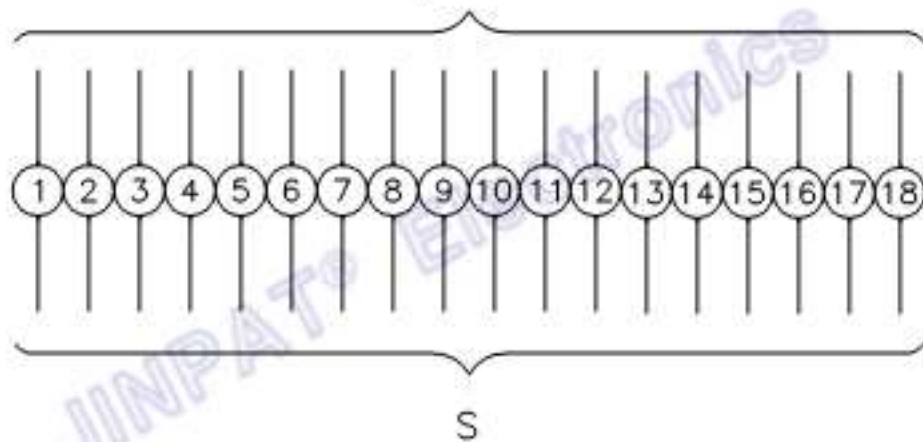
JINPAT
www.slipring.cn

MODEL	LPT080-1810						
Customer code	/		TITLE	Outline Drawing			
UNIT	mm	PL. UNITS SPECIFIED	DESIGN	HYM	DATE	2018.08.03	
SCALE	1:1	LINE S-19 60.1 7-8-20 60.19 1-8-20 60.2 1-8-20 60.2	CHECKED	LML	DATE	2018.08.03	
PROJ.		NO. 7	REV.	AG	PAGE	1/2	

NO.	CONTENT OF AMENDMENT	DATE	BY


This document is the property of JINPAT Electronics Co., Ltd (ShenZhen) (Hereafter "JINPAT"). It is lent and is to be returned upon request. The contents of this document are confidential and constitute trade secrets proprietary to JINPAT. Its contents document nor its contents shall be disclosed to any unauthorized person copied or published without JINPAT prior written consent.
COPY RIGHT © 2018 JINPAT ELECTRONICS Co., Ltd (ShenZhen).

R
18Circuits * 10A(240VAC)
|
AWG17# Teflon® UL



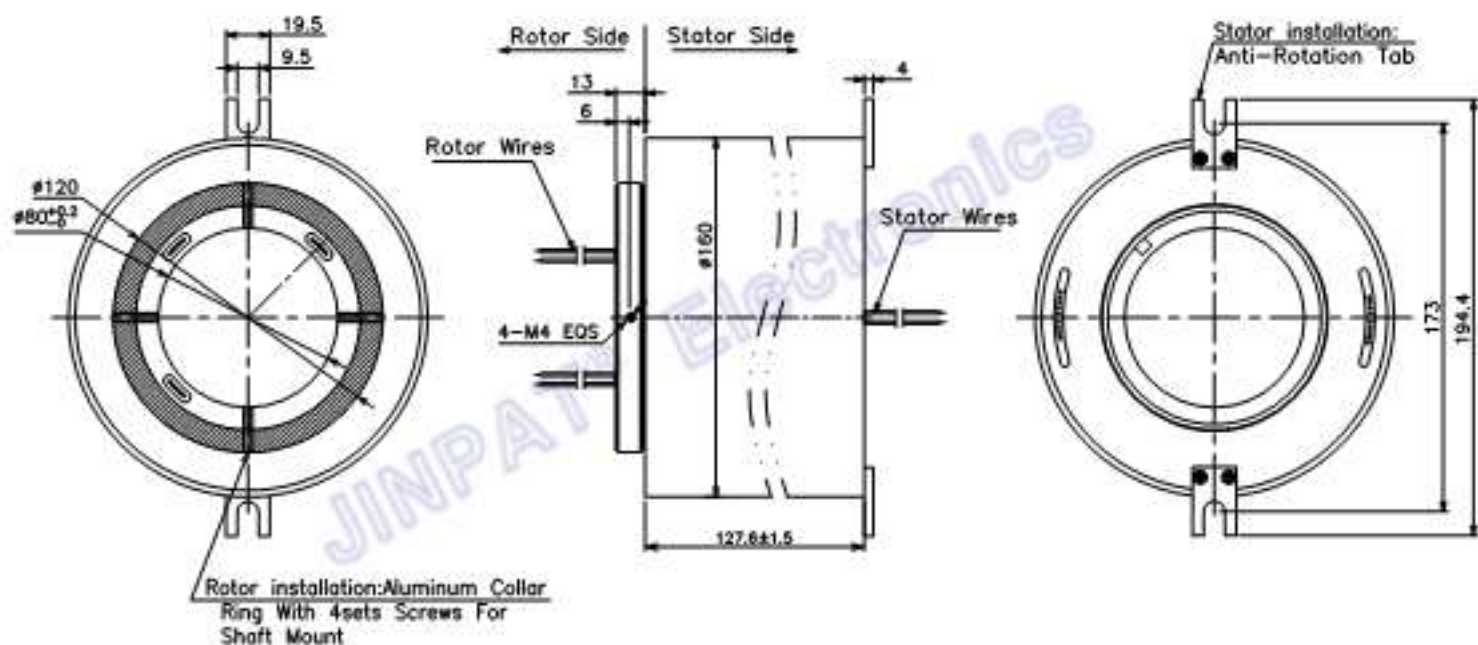
Electronic & Electric		Mechanical		
Circuits	Total	18 Ckt	Working Speed	0-300rpm
	Detail	18x18A	Inner Diameter	400mm
Rating Voltage	240V AC/DC	Contact Material	Preious Metal	
Dielectric Strength	1000VAC@50Hz	Housing Material	Aluminium Alloy	
Insulation Resistance	>500MΩ@500VDC	Lead Wire Length	Stator:300mm Rotor:300mm	
Environment		Remarks		
Working Temperature	-30°C~+80°C	Other	/	
Working Humidity	40%RH			


JINPAT
www.slipring.cn

MODEL	LPT080-1810					
Customer code	/		TITLE	Wiring Diagram		
LWT	mm	PL UNITS SPECIFIED	DESIGN	HW	DATE	2018.08.03
SCALE	1:1	UNITS 1-10 mm 10-20 mm 20-50 mm 50-100 mm	CHECKED	LWL	DATE	2018.08.03
PROJ.		REV.	AG	PAGE	2/2	

NO.	CONTENT OF AMENDMENT	DATE	BY

This document is the property of JINPAT Electronics Co., Ltd (Shenzhen) (Hereafter "JINPAT"). It is lent and is to be returned upon request. The contents of this document are confidential and constitute trade secrets proprietary to JINPAT. Its contents document nor its contents shall be disclosed to any unauthorized person copied or published without JINPAT prior written consent.
COPY RIGHT © 2018 JINPAT ELECTRONICS Co., Ltd (Shenzhen).



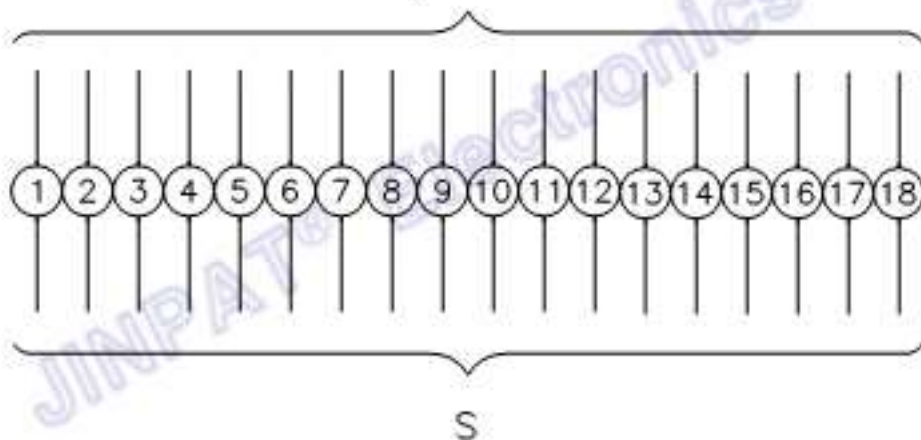
JINPAT
www.slipring.cn

MODEL	LPT080-1815						
Customer code	/		TITLE	Outline Drawing			
UNIT	mm	THE UNITS SPECIFIED	DESIGN	HYM	DATE	2018.08.03	
SCALE	1:1	LINE S-19 40.1 V-18 40.1 S-20 40.2 S-21 40.2	CHECKED	LML	DATE	2018.08.03	
PROJ.	↔	NO. 7	REV.	AG	PAGE	1/2	

NO.	CONTENT OF AMENDMENT	DATE	BY


This document is the property of JINPAT Electronics Co., Ltd (ShenZhen) (Hereafter "JINPAT"). It is lent and is to be returned upon request. The contents of this document are confidential and constitute trade secrets proprietary to JINPAT. Its contents document nor its contents shall be disclosed to any unauthorized person copied or published without JINPAT prior written consent.
COPY RIGHT © 2018 JINPAT ELECTRONICS Co., Ltd (ShenZhen).

R
18Circuits * 15A(240VAC)
|
AWG14# Teflon® UL



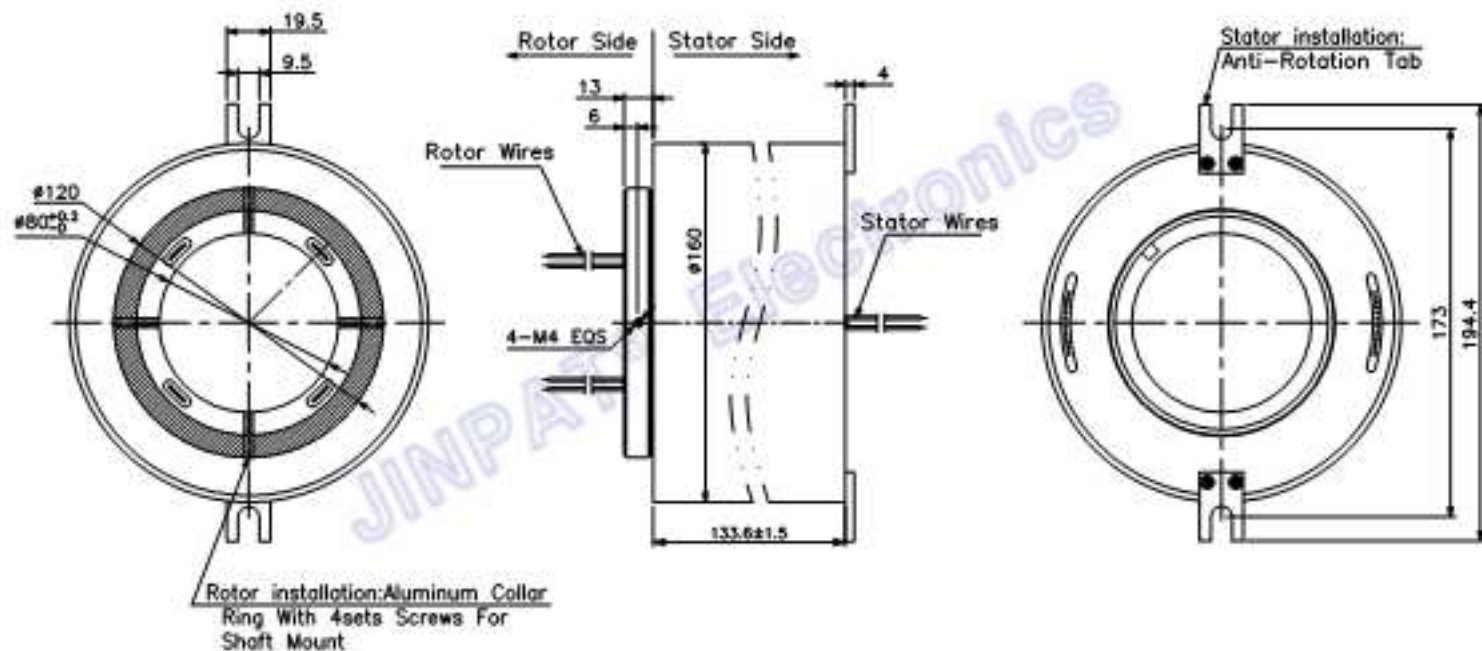
Electronic & Electric		Mechanical		
Circuits	Total	18 Ckt	Working Speed	0~300rpm
	Detail	18x15A	Inner Diameter	400mm
Rating Voltage	240V AC/DC	Contact Material	Phospor Metal	
Dielectric Strength	1000VAC@50Hz	Housing Material	Aluminum Alloy	
Insulation Resistance	>500MΩ@500VDC	Lead Wire Length	Stator:300mm Rotor:300mm	
Environment		Remarks		
Working Temperature	-30°C~+80°C	Other	/	
Working Humidity	40%RH			


JINPAT
www.slipring.cn

MODEL	LPT080-1815						
Customer code	/		TITLE	Wiring Diagram			
UNIT	mm	ALL UNITS SPECIFIED IN MM	DESIGN	HYM	DATE	2018.08.03	
SCALE	1:1	5-18 08.1 18-20 08.19 20-22 08.2 22-24 08.2	CHECKED	LML	DATE	2018.08.03	
PROJ.		REV.	AG	PAGE	2/2		

NO.	CONTENT OF AMENDMENT	DATE	BY

This document is the property of JINPAT Electronics Co., Ltd (Shenzhen) (Hereafter "JINPAT"). It is lent and is to be returned upon request. The contents of this document are confidential and constitute trade secrets proprietary to JINPAT. Its contents document nor its contents shall be disclosed to any unauthorized person copied or published without JINPAT prior written consent.
COPY RIGHT © 2018 JINPAT ELECTRONICS Co., Ltd (Shenzhen).



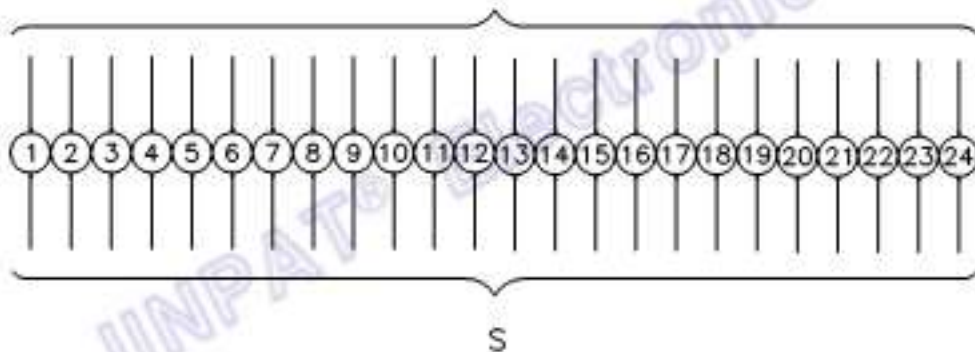
JINPAT
www.slpring.cn

MODEL	LPT080-2405						
Customer code	/		TITLE	Outline Drawing			
UNIT	mm	SLIP RINGS SPECIFICATIONS	DESIGN	HYM	DATE	2018.08.03	
SCALE	1:1	LINE S-19 45.1 7-8-20 42.2 1-6-20 40.2 2-1-20 40.2	CHECKED	LM	DATE	2018.08.03	
PROJ.		REV.	AG	PAGE	1/2		

NO.	CONTENT OF AMENDMENT	DATE	BY

This document is the property of JINPAT Electronics Co., Ltd (ShenZhen) (Hereafter "JINPAT"). It is lent and is to be returned upon request. The contents of this document are confidential and constitute trade secrets proprietary to JINPAT. Its contents document nor its contents shall be disclosed to any unauthorized person copied or published without JINPAT prior written consent.
COPY RIGHT © 2018 JINPAT ELECTRONICS Co., Ltd (ShenZhen).

R
24Circuits * 5A(240VAC)
|
AWG22# Teflon® UL



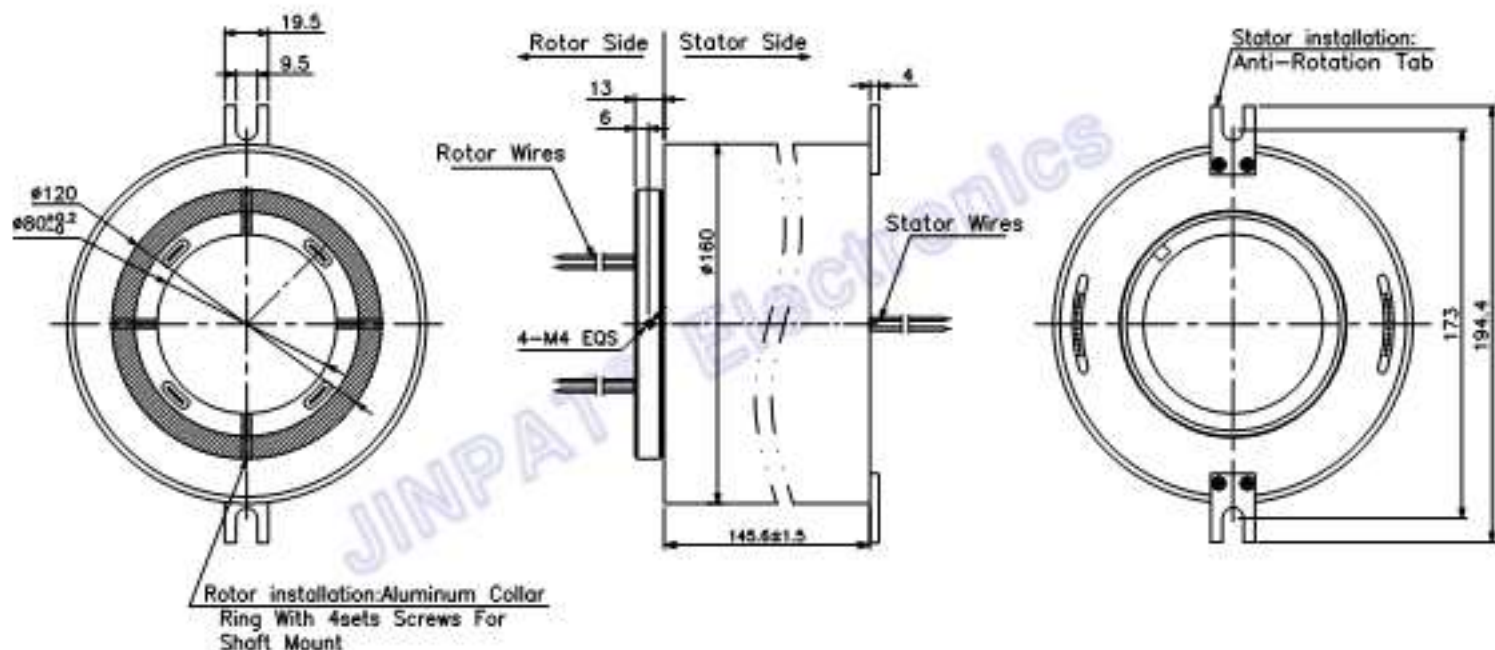
Electronic & Electric		Mechanical		
Circuits	Total	24 Ckt	Working Speed	0~300rpm
	Detail	24x5A	Inner Diameter	400mm
Rating Voltage	240V AC/DC	Contact Material	Preious Metal	
Dielectric Strength	1000VAC@50Hz	Housing Material	Aluminium Alloy	
Insulation Resistance	>500MΩ@500VDC	Lead Wire Length	Stator:300mm Rotor:300mm	
Environment		Remarks		
Working Temperature	-30°C~+80°C	Other	/	
Working Humidity	40%RH			


JINPAT
www.slipring.cn

MODEL	LPT080-2405						
Customer code	/		TITLE	Wiring Diagram			
UNIT	mm	ALL UNITS SPECIFIED	DESIGN	HFM	DATE	2018.08.03	
SCALE	1:1	5--10 50.1 10--20 50.2 20--30 50.3 30--40 50.4 40--50 50.5 50--60 50.6 60--70 50.7 70--80 50.8 80--90 50.9 90--100 50.10	CHECKED	LML	DATE	2018.08.03	
PROJ.			REV.	AG	PAGE	2/2	

NO.	CONTENT OF AMENDMENT	DATE	BY

This document is the property of JINPAT Electronics Co., Ltd (Shenzhen) (Hereafter "JINPAT"). It is lent and is to be returned upon request. The contents of this document are confidential and constitute trade secrets proprietary to JINPAT. Its contents document nor its contents shall be disclosed to any unauthorized person copied or published without JINPAT prior written consent.
COPY RIGHT © 2018 JINPAT ELECTRONICS Co., Ltd (Shenzhen).



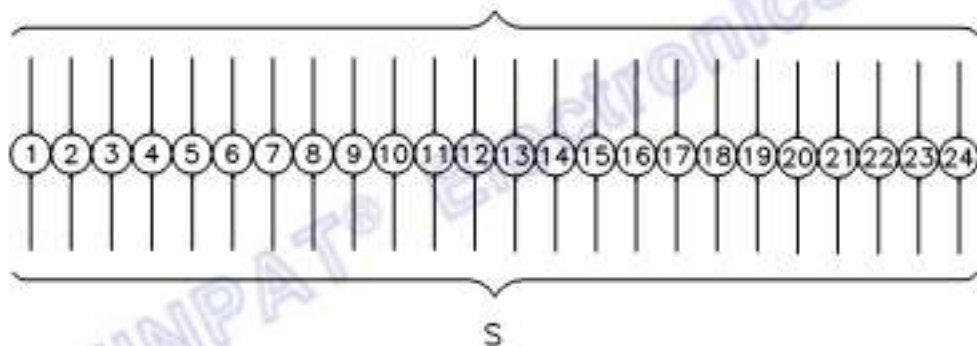
JINPAT
www.slipring.cn

MODEL	LPT080-2410						
Customer code	/		TITLE	Outline Drawing			
UNIT	mm	UNLESS SPECIFIED	DESIGN	HYM	DATE	2018.08.03	
SCALE	1:1	UNLESS SPECIFIED	CHECKED	LML	DATE	2018.08.03	
PROJ.		UNLESS SPECIFIED	REV.	AG	PAGE	1/2	

NO.	CONTENT OF AMENDMENT	DATE	BY


This document is the property of JINPAT Electronics Co., Ltd (ShenZhen) (Hereafter "JINPAT"). It is lent and is to be returned upon request. The contents of this document are confidential and constitute trade secrets proprietary to JINPAT. Its contents document nor its contents shall be disclosed to any unauthorized person copied or published without JINPAT prior written consent.
COPY RIGHT © 2018 JINPAT ELECTRONICS Co., Ltd (ShenZhen).

R
24Circuits * 10A(240VAC)
|
AWG17# Teflon[®] UL



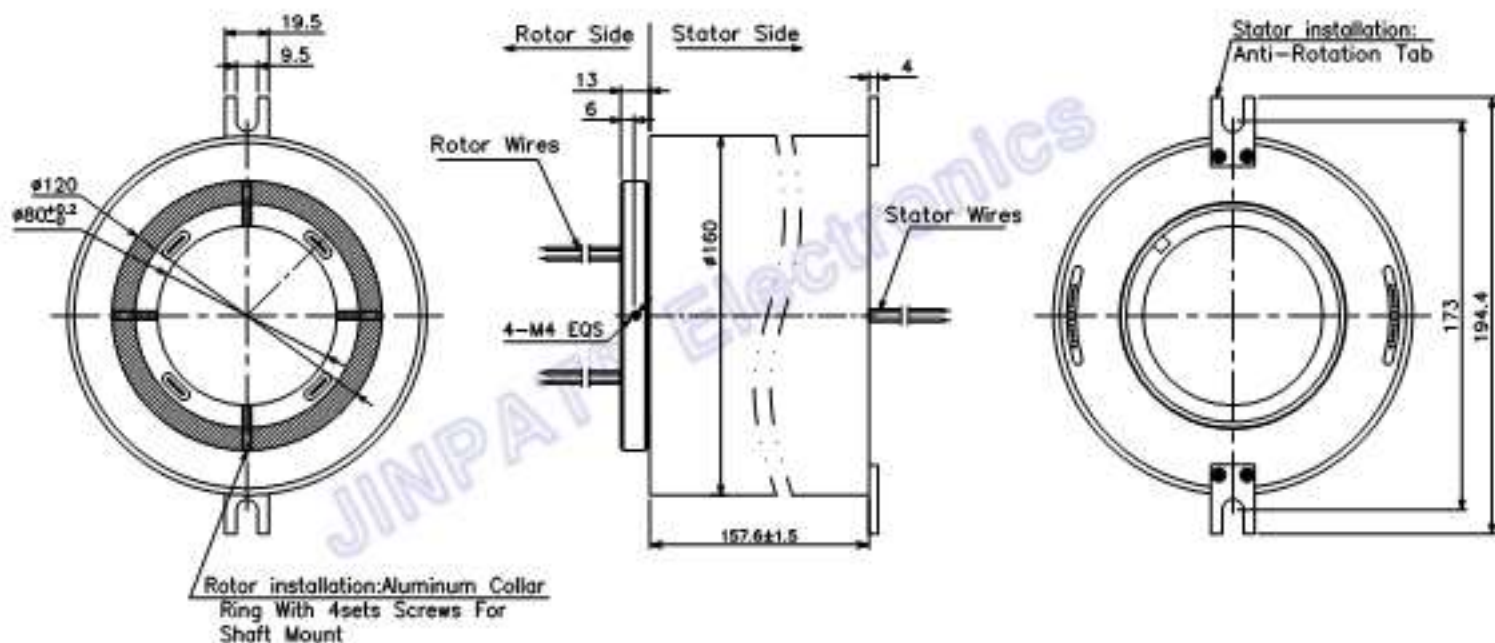
Electronic & Electric		Mechanical		
Circuits	Total	24 CIR	Working Speed	0-300rpm
	Detail	24x10A	Inner Diameter	400mm
Rating Voltage	240V AC/DC	Contact Material	Phospor Metal	
Dielectric Strength	1000VAC@50Hz	Housing Material	Aluminum Alloy	
Insulation Resistance	>500MΩ@500VDC	Lead Wire Length	Stator:300mm Rotor:300mm	
Environment		Remarks		
Working Temperature	-30°C~+80°C	Other	/	
Working Humidity	40%RH			


JINPAT
www.slipring.cn

MODEL	LPT080-2410					
Customer code	/		TITLE	Wiring Diagram		
LWT	mm	PL UNITS SPECIFIED	DESIGN	HW	DATE	2018.08.03
SCALE	1:1	5--18 19--20 22,19 21--22 22,19 23--24 22,19 25--26 22,19 27--28 22,19	CHECKED	LWL	DATE	2018.08.03
PROJ.		REV.	AG	PAGE	2/2	

NO.	CONTENT OF AMENDMENT	DATE	BY

This document is the property of JINPAT Electronics Co., Ltd (Shenzhen) (Hereafter "JINPAT"). It is lent and is to be returned upon request. The contents of this document are confidential and constitute trade secrets proprietary to JINPAT. Its contents document nor its contents shall be disclosed to any unauthorized person copied or published without JINPAT prior written consent.
COPY RIGHT © 2018 JINPAT ELECTRONICS Co., Ltd (Shenzhen).



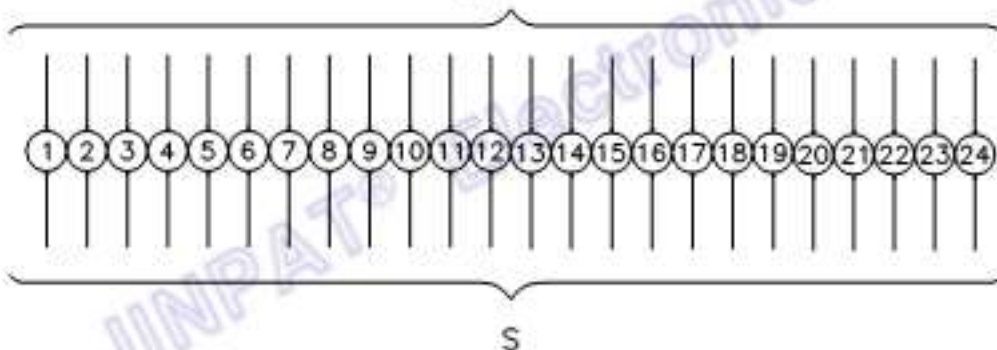
JINPAT
www.slipring.cn

MODEL	LPT080-2415						
Customer code	/		TITLE	Outline Drawing			
UNIT	mm	THE UNITS SPECIFIED	DESIGN	HYM	DATE	2018.08.03	
SCALE	1:1	UNLESS SPECIFIED	CHECKED	LML	DATE	2018.08.03	
PROJ.		1/8"=1"	REV.	AG	PAGE	1/2	

NO.	CONTENT OF AMENDMENT	DATE	BY

This document is the property of JINPAT Electronics Co., Ltd (ShenZhen) (Hereafter "JINPAT"). It is lent and is to be returned upon request. The contents of this document are confidential and constitute trade secrets proprietary to JINPAT. Its contents document nor its contents shall be disclosed to any unauthorized person copied or published without JINPAT prior written consent.
COPY RIGHT © 2018 JINPAT ELECTRONICS Co., Ltd (ShenZhen).

R
24Circuits * 15A(240VAC)
|
AWG14# Teflon® UL



Electronic & Electric		Mechanical		
Circuits	Total	24 CIR	Working Speed	0~300rpm
	Detail	24x15A	Inner Diameter	400mm
Rating Voltage	240V AC/DC	Contact Material	Preious Metal	
Dielectric Strength	1000VAC@50Hz	Housing Material	Aluminium Alloy	
Insulation Resistance	>500MΩ@500VDC	Lead Wire Length	Stator:300mm Rotor:300mm	
Environment		Remarks		
Working Temperature	-30°C~+80°C	Other	/	
Working Humidity	40%RH			


JINPAT
www.slipring.cn

MODEL	LPT080-2415					
Customer code	/		TITLE	Wiring Diagram		
UNIT	mm	PL UNITS SPECIFIED	DESIGN	HW	DATE	2018.08.03
SCALE	1:1	UNITS S-19 45.1 7-8-20 42.19 1-8-20 40.2 1-8-20 40.2	CHECKED	LML	DATE	2018.08.03
PROJ.		REV.	AG	PAGE	2/2	