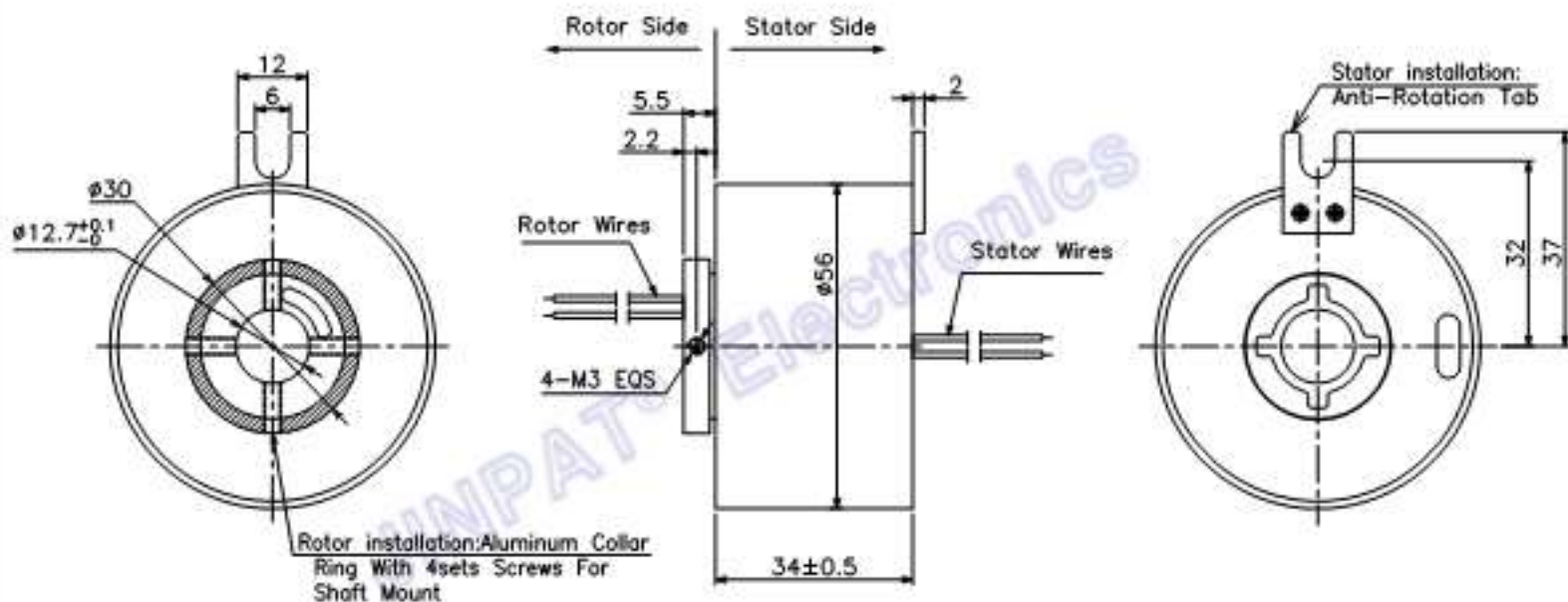


NO.	CONTENT OF AMENDMENT	DATE	BY

This document is the property of JINPAT Electronics Co., Ltd (Shenzhen) (Hereafter "JINPAT"). It is lent and is to be returned upon request. The contents of this document are confidential and constitute trade secrets proprietary to JINPAT. Its contents document nor its contents shall be disclosed to any unauthorized person copied or published without JINPAT prior written consent.
COPY RIGHT © 2018 JINPAT ELECTRONICS Co., Ltd (Shenzhen).

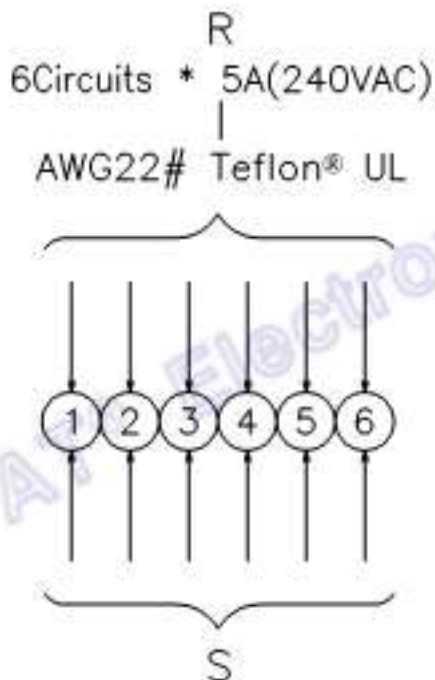


JINPAT
www.slipring.cn

MODEL	LPT012-0605						
Customer code	/	TITLE	Outline Drawing				
UNIT	mm	DESIGN	HW	DATE	2018.08.31		
SCALE	1:1	CHECKED	LWL	DATE	2018.08.31		
PROJ.		REV.	AG	PAGE	1/2		


NO.	CONTENT OF AMENDMENT	DATE	BY

This document is the property of JINPAT Electronics Co., Ltd (ShenZhen) (Hereafter "JINPAT"). It is lent and is to be returned upon request. The contents of this document are confidential and constitute trade secrets proprietary to JINPAT. Its contents document nor its contents shall be disclosed to any unauthorized person copied or published without JINPAT prior written consent.
COPY RIGHT © 2018 JINPAT ELECTRONICS Co., Ltd (ShenZhen).



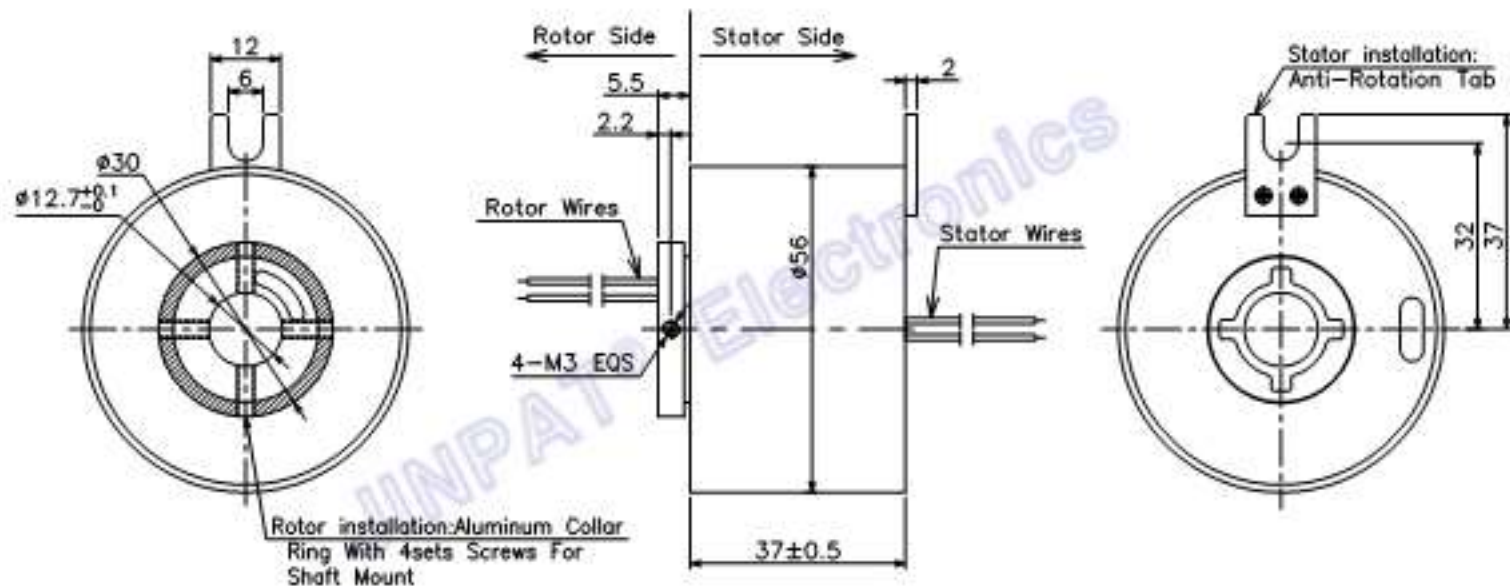
Electronic & Electric		Mechanical		
Circuits	Total	6 CRT	Working Speed	0-300rpm
	Detail	6/6A	Inner Diameter	φ12.7mm
Rating Voltage	240V AC/DC	Contact Material	Precious Metal	
Dielectric Strength	1000VAC@50Hz	Housing Material	Aluminum Alloy	
Insulation Resistance	>300MΩ@50VDC	Lead Wire Length	Station:300mm Reel:300mm	
Environment		Remarks		
Working Temperature	-20°C~+80°C	Other	/	
Working Humidity	40%RH			


JINPAT
 www.slpring.cn

MODEL	LPT012-0605					
Customer code	/		TITLE	Wiring Diagram		
LWT	mm	PL UNITS SPECIFIED	DESIGN	HW	DATE	2018.08.31
SCALE	1:1	5--19 05.1 1-8--20 02.19 1-8--20 02.2 1-8--20 02.2 1-8--20 02.2	CHECKED	LWL	DATE	2018.08.31
PROJ.		REV.	AG	PAGE	1/2	

NO.	CONTENT OF AMENDMENT	DATE	BY

This document is the property of JINPAT Electronics Co., Ltd (ShenZhen) (Hereafter "JINPAT"). It is lent and is to be returned upon request. The contents of this document are confidential and constitute trade secrets proprietary to JINPAT. Its contents document nor its contents shall be disclosed to any unauthorized person copied or published without JINPAT prior written consent.
COPY RIGHT © 2018 JINPAT ELECTRONICS Co., Ltd (ShenZhen).



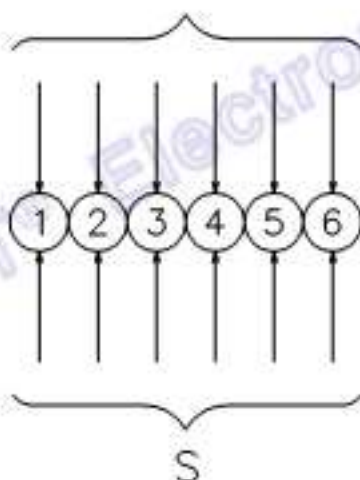
JINPAT
www.slipring.cn

MODEL	LPT012-0610						
Customer code	/		TITLE	Outline Drawing			
UNIT	mm	NO. SHEETS SPECIFIED	DESIGN	HW	DATE	2018.08.31	
SCALE	1:1	DESIGN 1-18-00 02.10 1-18-20 02.12 1-18-00 02.12	CHECKED	LWL	DATE	2018.08.31	
PROJ.		NO. 7	REV.	AG	PAGE	1/2	

NO.	CONTENT OF AMENDMENT	DATE	BY


This document is the property of JINPAT Electronics Co., Ltd (ShenZhen) (Hereafter "JINPAT"). It is lent and is to be returned upon request. The contents of this document are confidential and constitute trade secrets proprietary to JINPAT. Its contents document nor its contents shall be disclosed to any unauthorized person copied or published without JINPAT prior written consent.
COPY RIGHT © 2018 JINPAT ELECTRONICS Co., Ltd (ShenZhen).

6Circuits * $\overset{R}{10A(240VAC)}$
|
AWG17# Teflon® UL



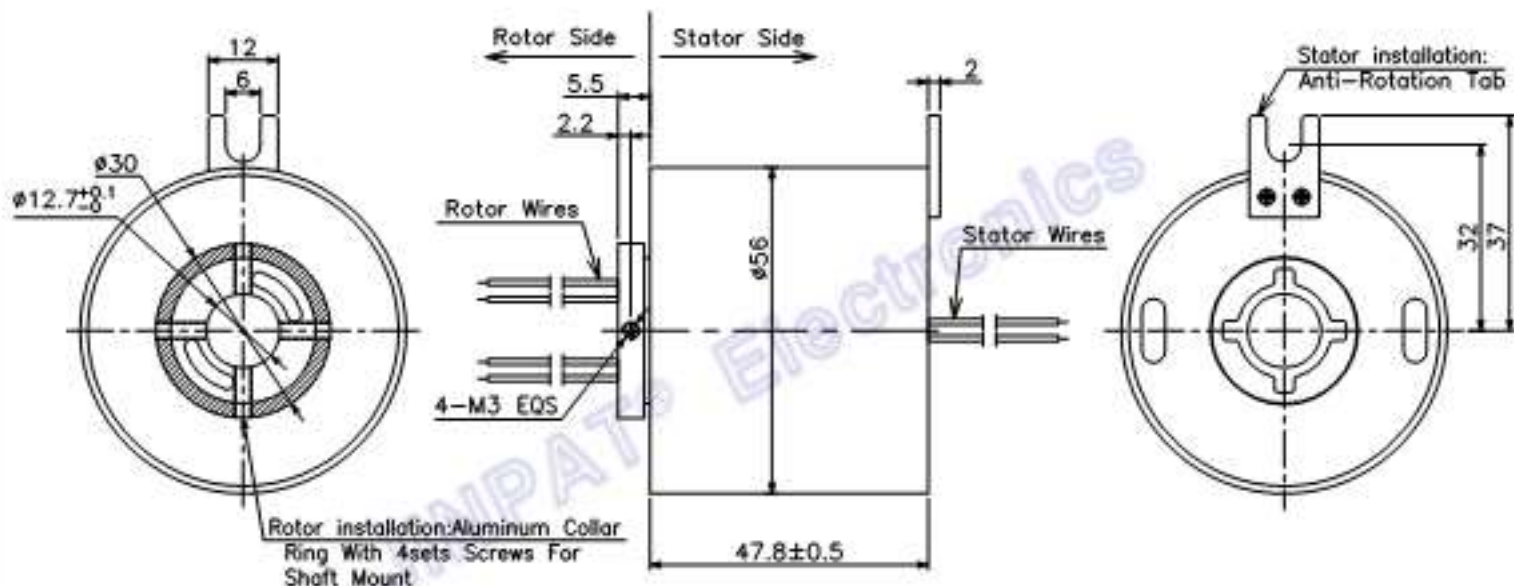
Electronic & Electric		Mechanical		
Circuits	Total	6 CRT	Working Speed	0-300rpm
	Detail	6/10A	Inner Diameter	φ12.7mm
Rating Voltage	240V AC/DC	Contact Material	Precious Metal	
Dielectric Strength	1000VAC/50Hz	Housing Material	Aluminum Alloy	
Insulation Resistance	>300MΩ/500VDC	Lead Wire Length	Outer:300mm Inner:300mm	
Environment		Remarks		
Working Temperature	-20°C~+80°C	Other	/	
Working Humidity	40%RH			


JINPAT
www.slpring.cn

MODEL	LPT012-0610					
Customer code	/		TITLE	Wiring Diagram		
UNIT	mm	ALL UNITS SPECIFIED	DESIGN	HW	DATE	2018.08.31
SCALE	1:1	UNLESS SPECIFIED	CHECKED	LWL	DATE	2018.08.31
PROJ.		UNLESS SPECIFIED	REV.	AG	PAGE	1/2

NO.	CONTENT OF AMENDMENT	DATE	BY

This document is the property of JINPAT Electronics Co., Ltd (Shenzhen) (Hereafter "JINPAT"). It is lent and is to be returned upon request. The contents of this document are confidential and constitute trade secrets proprietary to JINPAT. Its contents document nor its contents shall be disclosed to any unauthorized person copied or published without JINPAT prior written consent.
COPY RIGHT © 2018 JINPAT ELECTRONICS Co., Ltd (Shenzhen).



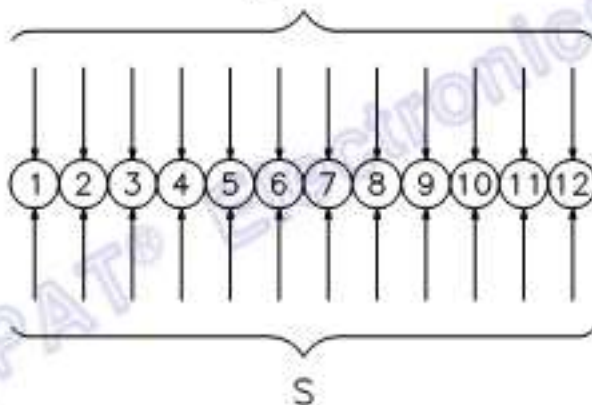
JINPAT
www.slipring.cn

MODEL	LPT012-1205						
Customer code	/		TITLE	Outline Drawing			
UNIT	mm	NO. SHEETS SPECIFIED	DESIGN	HW	DATE	2018.08.31	
SCALE	1:1	DESIGNER	CHECKED	LWL	DATE	2018.08.31	
PROJ.	◆	NO. 1	REV.	AG	PAGE	1/2	

REV	CONTENT OF AMENDMENT	DATE	BY


This document is the property of JINPAT Electronics Co., Ltd (Shenzhen) (Hereafter "JINPAT"). It is lent and is to be returned upon request. The contents of this document are confidential and constitute trade secrets proprietary to JINPAT. Its contents document nor its contents shall be disclosed to any unauthorized person copied or published without JINPAT prior written consent.
COPY RIGHT © 2018 JINPAT ELECTRONICS Co., Ltd (Shenzhen).

R
12Circuits * 5A
|
AWG22# Teflon® UL



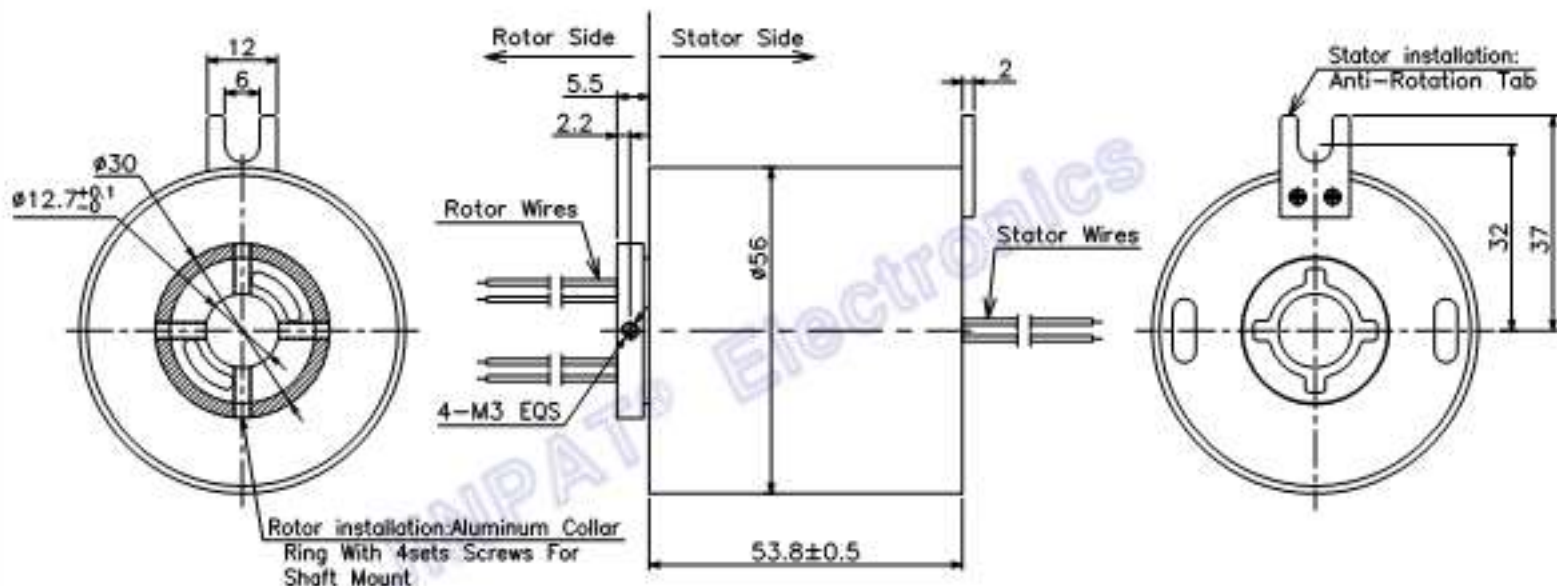
Electronic & Electric			Mechanical	
Circuits	Total	12 CIR	Working Speed	0-300rpm
	Detail	12x4	Inner Diameter	φ12.7mm
Rating Voltage	240V AC/DC		Contact Material	Precious Metal
Dielectric Strength	1000VAC@50Hz		Housing Material	Aluminum Alloy
Insulation Resistance	≥300MΩ@50VDC		Lead Wire Length	Outer:300mm Inner:300mm
Environment			Remarks	
Working Temperature	-20°C~+80°C		Other	/
Working Humidity	CASRH			


JINPAT
www.slipring.cn

MODEL	LPT012-1205						
Customer code	/		TITLE	Wiring Diagram			
UNIT	mm	ALL UNITS SPECIFIED IN mm	DESIGN	HW	DATE	2018.08.31	
SCALE	1:1	5-18 05.1 1-8-02 02.10 1-8-20 02.2 02.2 02.7	CHECKED	LWL	DATE	2018.08.31	
PROJ.			REV.	AG	PAGE	1/2	

NO.	CONTENT OF AMENDMENT	DATE	BY

This document is the property of JINPAT Electronics Co., Ltd (ShenZhen) (Hereafter "JINPAT"). It is lent and is to be returned upon request. The contents of this document are confidential and constitute trade secrets proprietary to JINPAT. Its contents document nor its contents shall be disclosed to any unauthorized person copied or published without JINPAT prior written consent.
COPY RIGHT © 2018 JINPAT ELECTRONICS Co., Ltd (ShenZhen).



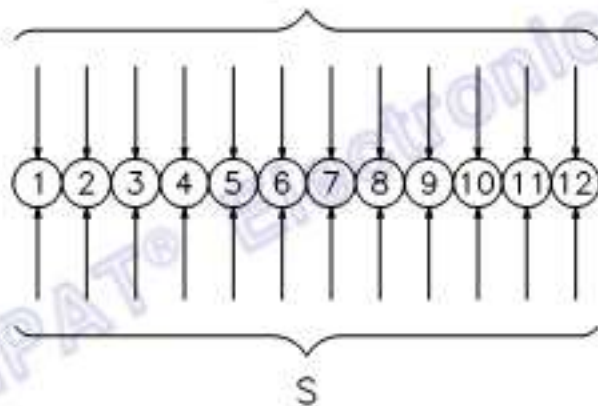
JINPAT
www.slipring.cn

MODEL	LPT012-1210						
Customer code	/		TITLE	Outline Drawing			
UNIT	mm	PL. UNITS SPECIFIED	DESIGN	HW	DATE	2018.08.31	
SCALE	1:1	UNITS 6-12 60.1 13-20 60.2 21-25 60.3 26-32 60.4	CHECKED	LWL	DATE	2018.08.31	
PROJ.		REV.	AG	PAGE	1/2		

NO.	CONTENT OF AMENDMENT	DATE	BY

This document is the property of JINPAT Electronics Co., Ltd (Shenzhen) (Hereafter "JINPAT"). It is lent and is to be returned upon request. The contents of this document are confidential and constitute trade secrets proprietary to JINPAT. Its contents document nor its contents shall be disclosed to any unauthorized person copied or published without JINPAT prior written consent.
COPY RIGHT © 2018 JINPAT ELECTRONICS Co., Ltd (Shenzhen).

R
12Circuits * 10A
|
AWG17# Teflon® UL



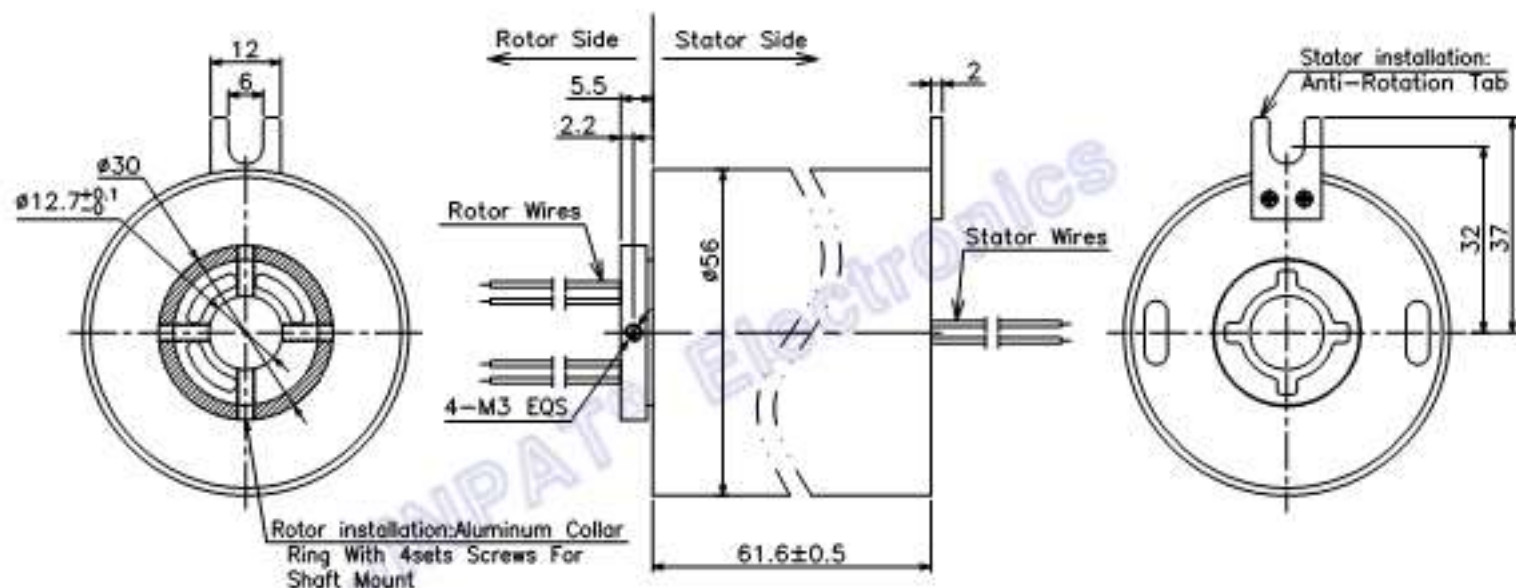
Electronic & Electric			Mechanical	
Circuits	Total	12 CIR	Working Speed	0-300rpm
	Detail	12x10A	Inner Diameter	φ12.7mm
Rating Voltage	240V AC/DC		Contact Material	Precious Metal
Dielectric Strength	1000VAC@50Hz		Housing Material	Aluminum Alloy
Insulation Resistance	≥300MΩ@50VDC		Lead Wire Length	Outer:300mm Inner:300mm
Environment			Remarks	
Working Temperature	-20°C~+80°C		Other	/
Working Humidity	40%RH			


JINPAT
www.slipring.cn

MODEL	LPT012-1210						
Customer code	/		TITLE	Wiring Diagram			
UNIT	mm	ALL UNITS SPECIFIED IN THIS DRAWING	DESIGN	HWM	DATE	2018.08.31	
SCALE	1:1	5--10 00.1 10--20 00.2 20--30 00.3 30--40 00.4 40--50 00.5	CHECKED	LWL	DATE	2018.08.31	
PROJ.		REV.	AG	PAGE	1/2		

NO.	CONTENT OF AMENDMENT	DATE	BY

This document is the property of JINPAT Electronics Co., Ltd (Shenzhen) (Hereafter "JINPAT"). It is lent and is to be returned upon request. The contents of this document are confidential and constitute trade secrets proprietary to JINPAT. Its contents document nor its contents shall be disclosed to any unauthorized person copied or published without JINPAT prior written consent.
COPY RIGHT © 2018 JINPAT ELECTRONICS Co., Ltd (Shenzhen).



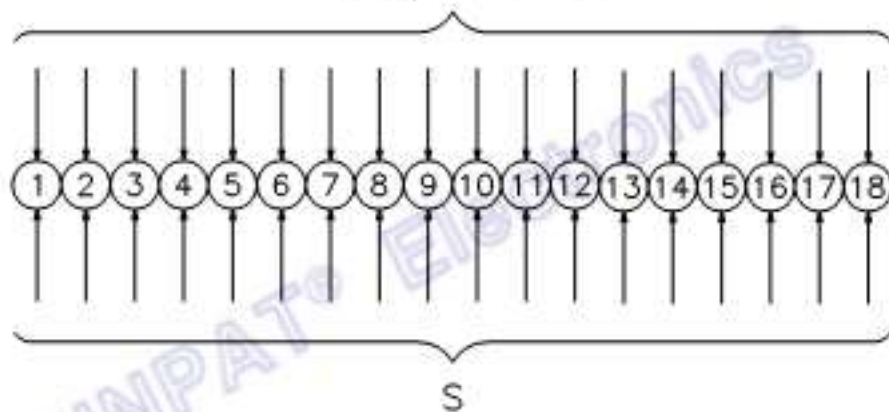
JINPAT
www.slipring.cn

MODEL	LPT012-1805						
Customer code	/		TITLE	Outline Drawing			
UNIT	mm	ALL UNITS SPECIFIED	DESIGN	HW	DATE	2018.08.31	
SCALE	1:1	UNLESS SPECIFIED	CHECKED	LWL	DATE	2018.08.31	
PROJ.		UNLESS SPECIFIED	REV.	AG	PAGE	1/2	

NO.	CONTENT OF AMENDMENT	DATE	BY

This document is the property of JINPAT Electronics Co., Ltd (ShenZhen) (Hereafter "JINPAT"). It is lent and is to be returned upon request. The contents of this document are confidential and constitute trade secrets proprietary to JINPAT. Its contents document nor its contents shall be disclosed to any unauthorized person copied or published without JINPAT prior written consent.
COPY RIGHT © 2018 JINPAT ELECTRONICS Co., Ltd (ShenZhen).

R
18Circuits * 5A
|
AWG22# Teflon® UL



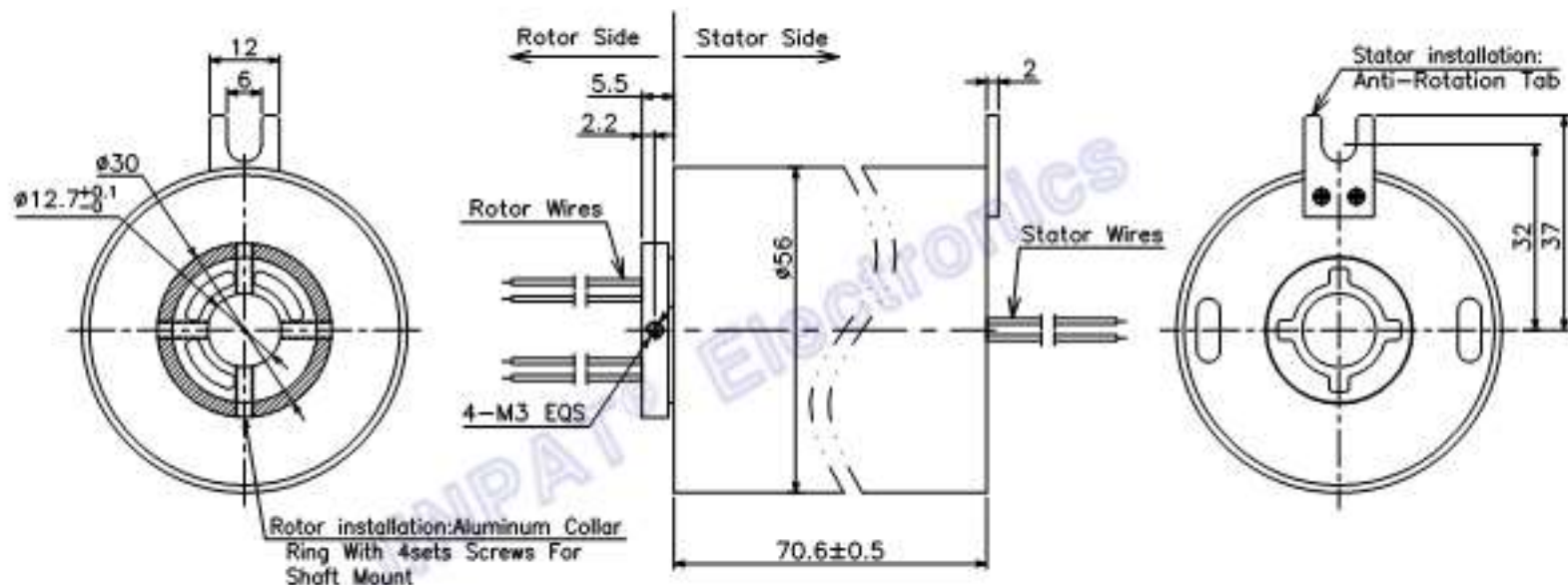
Electronic & Electric		Mechanical		
Circuits	Total	18 CIR	Working Speed	0-300rpm
	Detail	18x5A	Inner Diameter	φ12.7mm
Rating Voltage	240V AC/DC	Contact Material	Preious Metal	
Dielectric Strength	1000VAC@50Hz	Housing Material	Aluminum Alloy	
Insulation Resistance	>300MΩ@50VDC	Lead Wire Length	Outer:300mm Inner:300mm	
Environment		Remarks		
Working Temperature	-20°C~+80°C	Other	/	
Working Humidity	40%RH			


JINPAT
www.slipring.cn

MODEL	LPT012-1805						
Customer code	/		TITLE	Wiring Diagram			
LWT	mm	PL WIRE SPECIFIED	DESIGN	HW	DATE	2018.08.31	
SCALE	1:1	5-18 AWG 18-20 AWG 20-22 AWG 22-24 AWG	CHECKED	LWL	DATE	2018.08.31	
PROJ.		AWG	REV.	AG	PAGE	1/2	

NO.	CONTENT OF AMENDMENT	DATE	BY

This document is the property of JINPAT Electronics Co., Ltd (Shenzhen) (Hereafter "JINPAT"). It is lent and is to be returned upon request. The contents of this document are confidential and constitute trade secrets proprietary to JINPAT. Its contents document nor its contents shall be disclosed to any unauthorized person copied or published without JINPAT prior written consent.
COPY RIGHT © 2018 JINPAT ELECTRONICS Co., Ltd (Shenzhen).



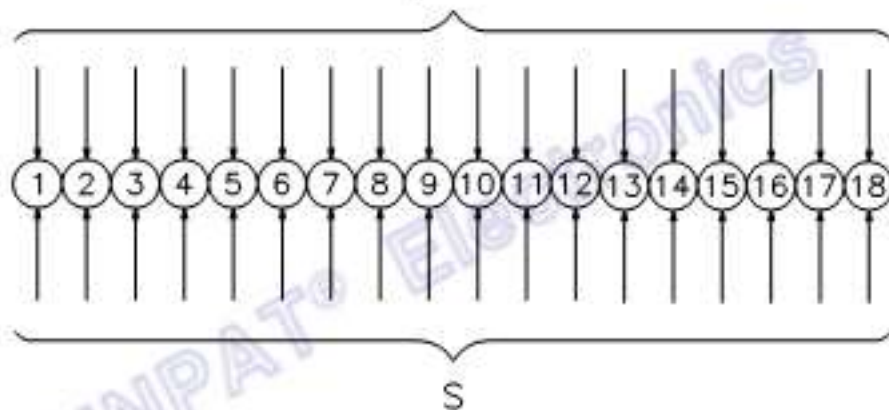
JINPAT
www.slipring.cn

MODEL	LPT012-1810						
Customer code	/	TITLE	Outline Drawing				
UNIT	mm	DESIGN	HW	DATE	2018.08.31		
SCALE	1:1	CHECKED	LWL	DATE	2018.08.31		
PROJ.		REV.	AG	PAGE	1/2		

NO.	CONTENT OF AMENDMENT	DATE	BY


This document is the property of JINPAT Electronics Co., Ltd (ShenZhen) (Hereafter "JINPAT"). It is lent and is to be returned upon request. The contents of this document are confidential and constitute trade secrets proprietary to JINPAT. Its contents document nor its contents shall be disclosed to any unauthorized person copied or published without JINPAT prior written consent.
COPY RIGHT © 2018 JINPAT ELECTRONICS Co., Ltd (ShenZhen).

R
18Circuits * 10A
|
AWG17# Teflon[®] UL



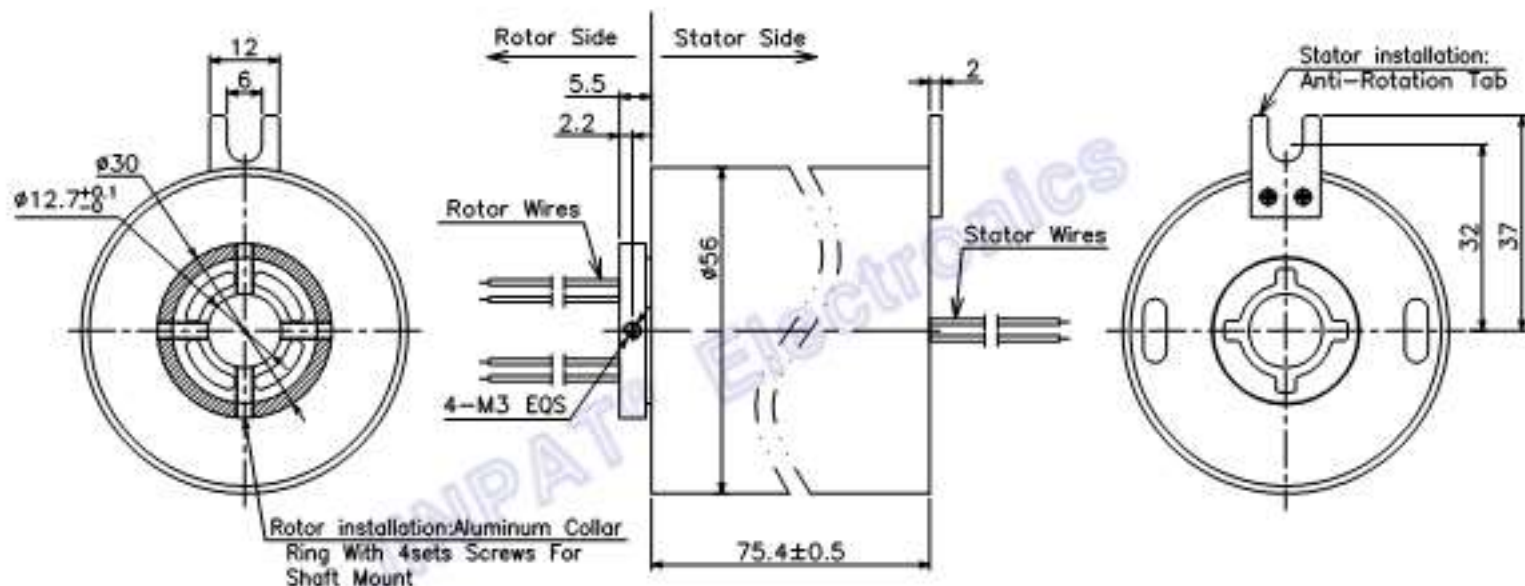
Electronic & Electric		Mechanical		
Circuits	Total	18 CIR	Working Speed	0~300rpm
	Detail	18x10A	Inner Diameter	φ12.7mm
Rating Voltage	240V AC/DC	Contact Material	Precious Metal	
Dielectric Strength	1000VAC@50Hz	Housing Material	Aluminum Alloy	
Insulation Resistance	>500MΩ@50VDC	Lead Wire Length	Outer:300mm Inner:300mm	
Environment		Remarks		
Working Temperature	-20°C~+80°C	Other	/	
Working Humidity	40%RH			


JINPAT
www.slipring.cn

MODEL	LPT012-1810						
Customer code	/		TITLE	Wiring Diagram			
UNIT	mm	ALL UNITS SPECIFIED IN MM	DESIGN	HWM	DATE	2018.08.31	
SCALE	1:1	5-10 05.1 10-20 02.0 20-30 01.0 30-50 00.5	CHECKED	LWL	DATE	2018.08.31	
PROJ.		REV.	AG	PAGE	1/2		

NO.	CONTENT OF AMENDMENT	DATE	BY

This document is the property of JINPAT Electronics Co., Ltd (Shenzhen) (Hereafter "JINPAT"). It is lent and is to be returned upon request. The contents of this document are confidential and constitute trade secrets proprietary to JINPAT. Its contents document nor its contents shall be disclosed to any unauthorized person copied or published without JINPAT prior written consent.
COPY RIGHT © 2018 JINPAT ELECTRONICS Co., Ltd (Shenzhen).



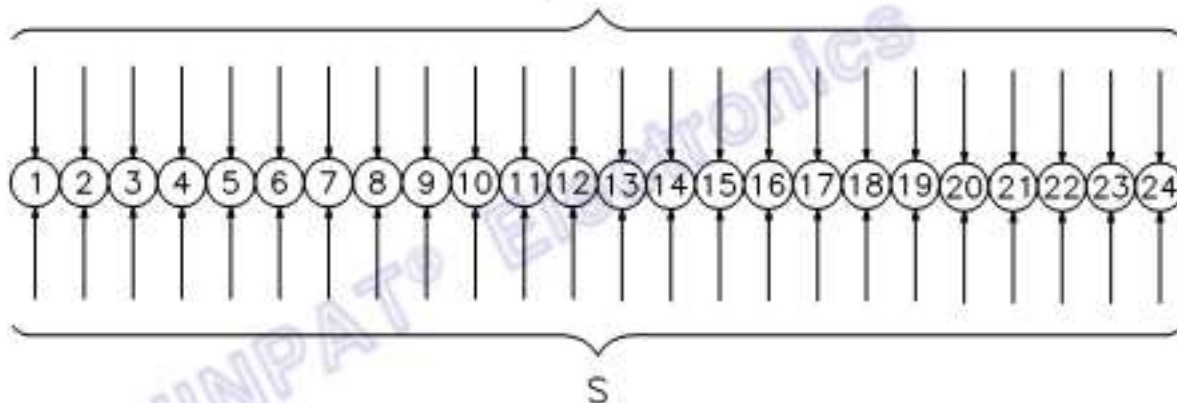
JINPAT
www.slipring.cn

MODEL	LPT012-2405						
Customer code	/	TITLE	Outline Drawing				
UNIT	mm	DESIGN	HW	DATE	2018.08.31		
SCALE	1:1	CHECKED	LWL	DATE	2018.08.31		
PROJ.		REV.	AG	PAGE	1/2		

REV	CONTENT OF AMENDMENT	DATE	BY


This document is the property of JINPAT Electronics Co., Ltd (Shenzhen) (Hereafter "JINPAT"). It is lent and is to be returned upon request. The contents of this document are confidential and constitute trade secrets proprietary to JINPAT. Its contents document nor its contents shall be disclosed to any unauthorized person copied or published without JINPAT prior written consent.
COPY RIGHT © 2018 JINPAT ELECTRONICS Co., Ltd (Shenzhen).

R
24Circuits * 5A
|
AWG22# Teflon® UL



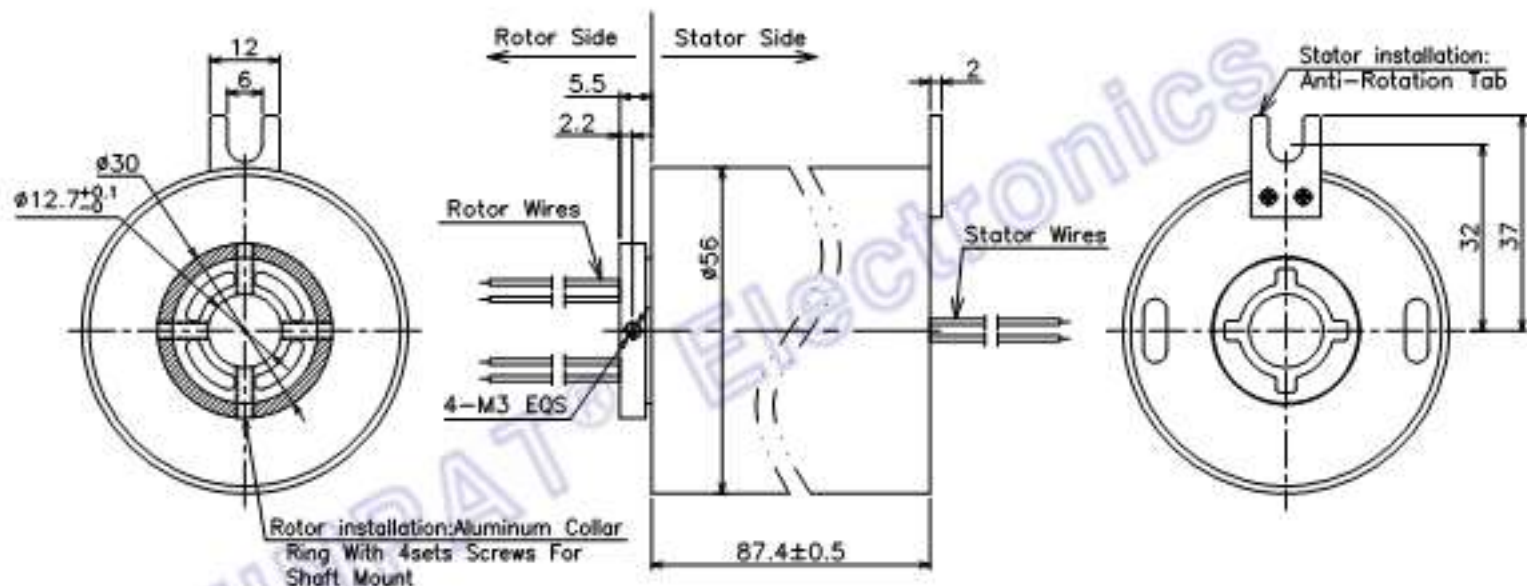
Electronic & Electric		Mechanical		
Circuits	Total	24 DC	Working Speed	0-300rpm
	Detail	24*5A	Inner Diameter	φ12.7mm
Rating Voltage	240V AC/DC	Contact Material	Precious Metal	
Dielectric Strength	1000VAC/50Hz	Housing Material	Aluminum Alloy	
Insulation Resistance	>300MΩ/50VDC	Lead Wire Length	Outer:300mm Inner:300mm	
Environment		Remarks		
Working Temperature	-20°C~+80°C	Other	/	
Working Humidity	40%RH			


JINPAT
www.slipring.cn

MODEL	LPT012-2405						
Customer code	/		TITLE	Wiring Diagram			
UNIT	mm	PL UNITS SPECIFIED	DESIGN	HW	DATE	2018.08.31	
SCALE	1:1	UNLESS SPECIFIED	CHECKED	LWL	DATE	2018.08.31	
PROJ.		UNLESS SPECIFIED	REV.	AG	PAGE	1/2	

MARK	CONTENT OF AMENDMENT	DATE	QSW

This document is the property of JINPAT Electronics Co., Ltd (ShenZhen) (Hereafter "JINPAT"). It is lent and is to be returned upon request. The contents of this document are confidential and constitute trade secrets proprietary to JINPAT. Its contents document nor its contents shall be disclosed to any unauthorized person copied or published without JINPAT prior written consent.
COPY RIGHT © 2018 JINPAT ELECTRONICS Co., Ltd (ShenZhen).



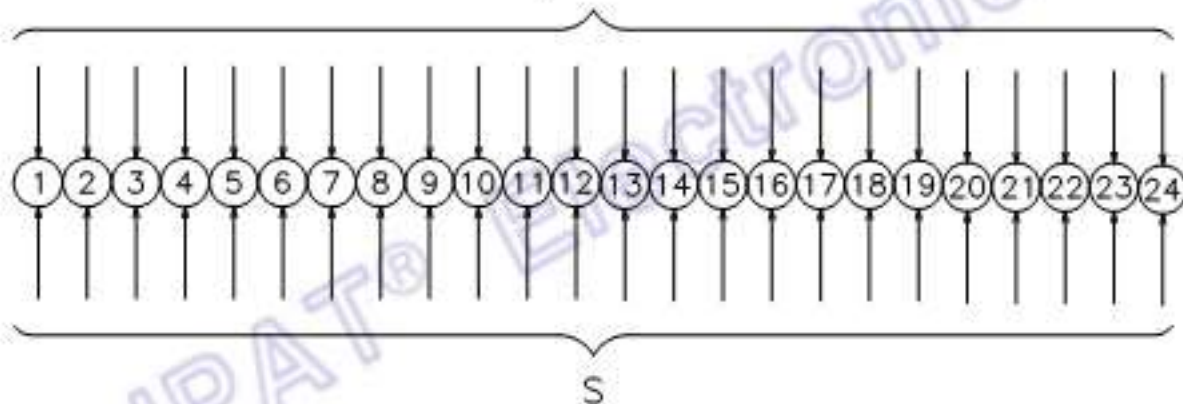
JINPAT
www.slpring.cn

MODEL		LPT012-2410					
Customer code	/	TITLE	Outline Drawing				
UNIT	mm	TOL UNLESS SPECIFIED	DESIGN	HYM	DATE	2018.08.31	
SCALE	1:1	LINEAR 0-10 0.1 10-30 0.15 30-50 0.2 50-80 0.25 80-100 0.3	CHECKED	LML	DATE	2018.08.31	
PROJ.		ANGLE 0-15 0.1	REV.	AD	PAGE	1/2	

MARK	CONTENT OF AMENDMENT	DATE	QYWH

This document is the property of JINPAT Electronics Co., Ltd (ShenZhen) (Hereafter "JINPAT"). It is lent and is to be returned upon request. The contents of this document are confidential and constitute trade secrets proprietary to JINPAT. Its contents document nor its contents shall be disclosed to any unauthorized person copied or published without JINPAT prior written consent.
COPY RIGHT © 2018 JINPAT ELECTRONICS Co., Ltd (ShenZhen).

R
24Circuits * 10A
|
AWG17# Teflon® UL



Electronic & Electric		Mechanical	
Circuits	Total 24 CIR	Working Speed	0-300rpm
	Detail 24x10A	Inner Diameter	φ12.7mm
Rating Voltage	240V AC/DC	Contact Material	Precious Metal
Dielectric Strength	1000VAC/50Hz	Heating Material	Aluminum Alloy
Insulative Resistance	500MΩ/500VDC	Lead Wire Length	Stator:300mm Rotor:300mm
Environment		Remarks	
Working Temperature	-20°C~+80°C	Other	/
Working Humidity	60%RH		



MODEL		LPT012-2410					
Customer code	/	TITLE	Wiring Diagram				
UNIT	REV	TOL UNLESS SPECIFIED	DESIGN	HYM	DATE	2018.08.31	
SCALE	1:1	UNLESS SPECIFIED 0-10 0.1 10-30 0.15 30-50 0.2 50-100 0.3	CHECKED	LML	DATE	2018.08.31	
PROJ	◆	SCALE 1:1	REV.	AD	PAGE	2/2	