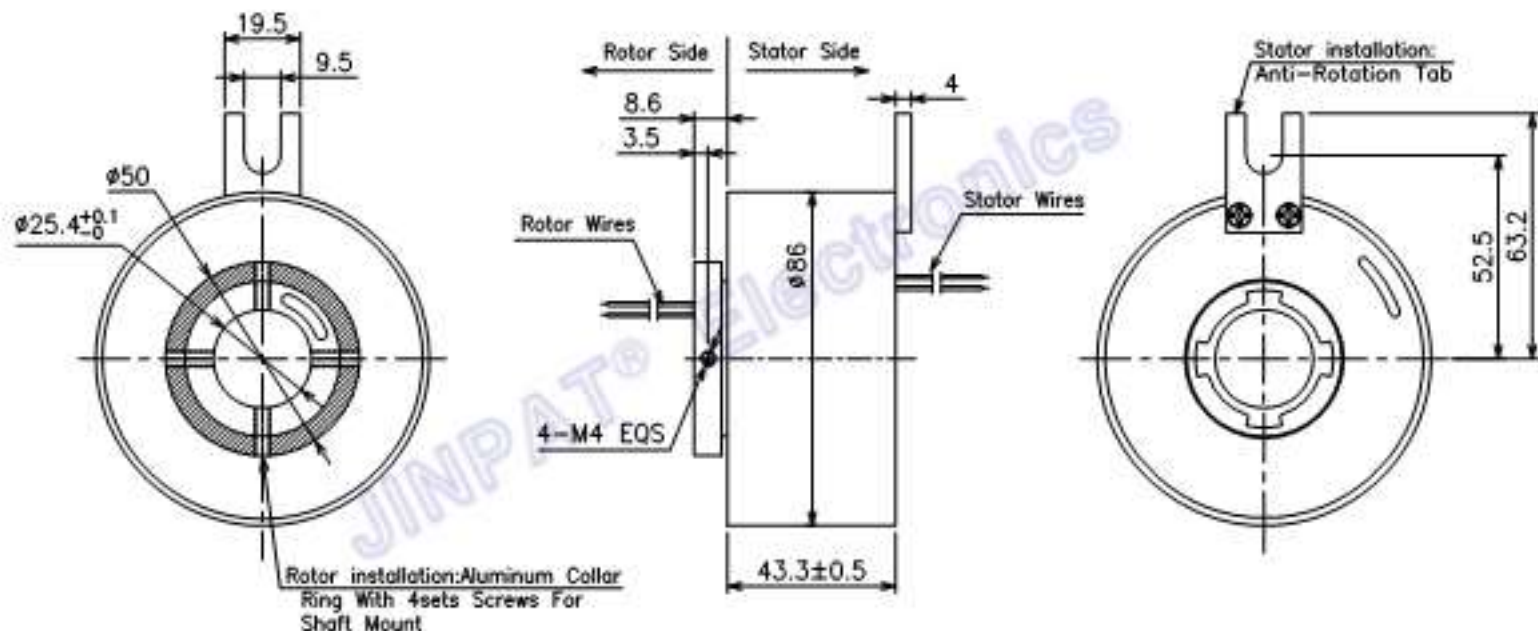


NO.	CONTENT OF AMENDMENT	DATE	BY

This document is the property of JINPAT Electronics Co., Ltd (Shenzhen) (Hereafter "JINPAT"). It is lent and is to be returned upon request. The contents of this document are confidential and constitute trade secrets proprietary to JINPAT. Its contents document nor its contents shall be disclosed to any unauthorized person copied or published without JINPAT prior written consent.  
COPY RIGHT © 2018 JINPAT ELECTRONICS Co., Ltd (Shenzhen).



JINPAT  
www.slpring.cn

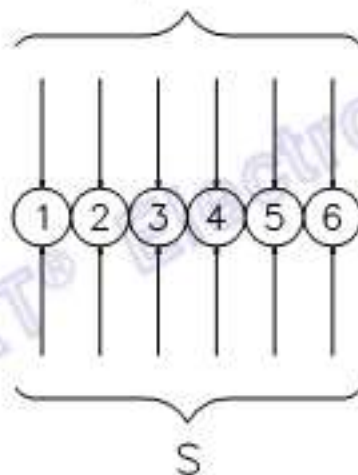
MODEL	LPT025-0605						
Customer code	/		TITLE	Outline Drawing			
UNIT	mm	NO. SHEETS SPECIFIED	DESIGN	HW	DATE	2018.08.31	
SCALE	1:1	1-10 01.1 11-20 02.2 21-30 03.3 31-40 04.4 41-50 05.5 51-60 06.6 61-70 07.7 71-80 08.8 81-90 09.9 91-100 10.10	CHECKED	LWL	DATE	2018.08.31	
PROJ.			REV.	AG	PAGE	1/2	

NO.	CONTENT OF AMENDMENT	DATE	BY

This document is the property of JINPAT Electronics Co., Ltd (ShenZhen) (Hereafter "JINPAT"). It is lent and is to be returned upon request. The contents of this document are confidential and constitute trade secrets proprietary to JINPAT. Its contents document nor its contents shall be disclosed to any unauthorized person copied or published without JINPAT prior written consent.  
COPY RIGHT © 2018 JINPAT ELECTRONICS Co., Ltd (ShenZhen).


R  
6Circuits \* 5A(240VAC)

|  
AWG22# Teflon® UL



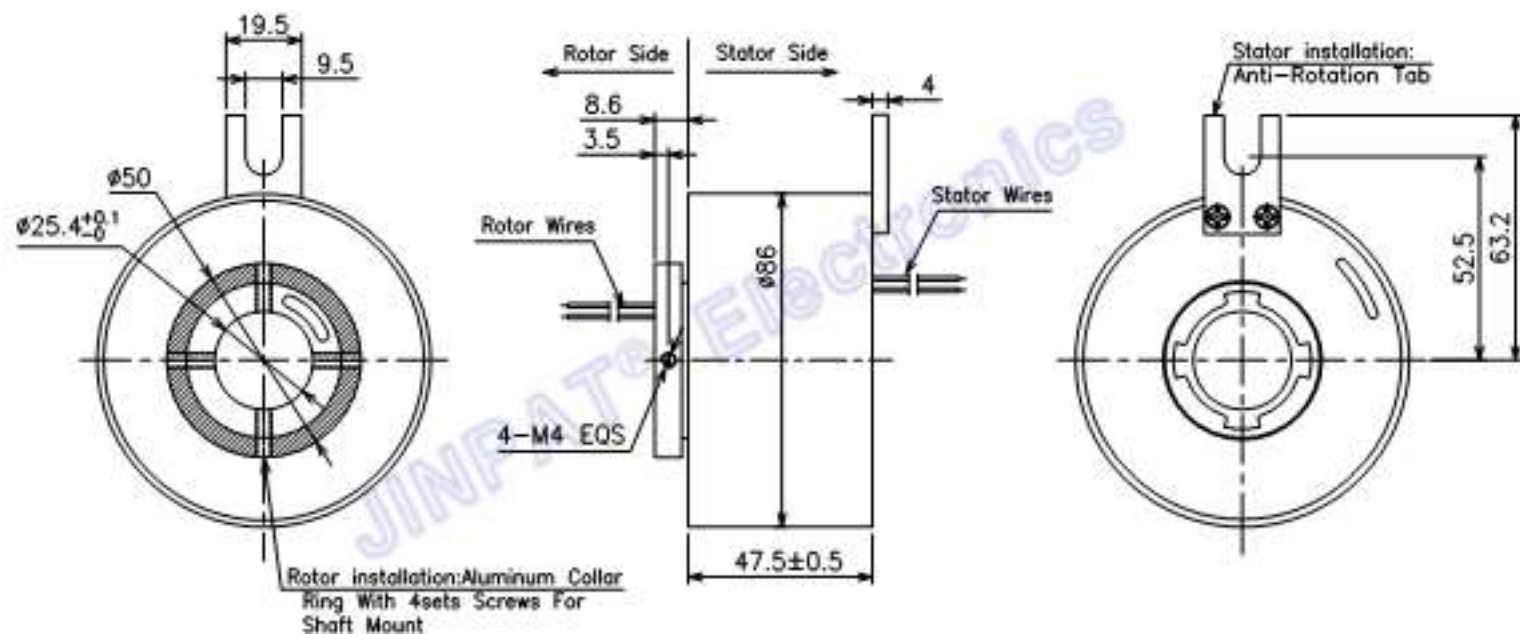
Electronic & Electric		Mechanical		
Circuits	Total	6 CRT	Working Speed	0-300rpm
	Detail	6x6	Inner Diameter	φ25.4mm
Rating Voltage	240V AC/DC	Contact Material	Precious Metal	
Dielectric Strength	1000VAC@50Hz	Housing Material	Aluminum Alloy	
Insulation Resistance	>300MΩ@50VDC	Lead Wire Length	Outer:300mm Inner:300mm	
Environment		Remarks		
Working Temperature	-20°C~+80°C	Other	/	
Working Humidity	40%RH			

  
JINPAT  
www.slipring.cn

MODEL	LPT025-0605					
Customer code	/		TITLE	Wiring Diagram		
UNIT	mm	PL UNITS SPECIFIED	DESIGN	HW	DATE	2018.08.31
SCALE	1:1	5-19 05.1 1-8-02 02.10 1-8-20 02.2 02.2 02.2	CHECKED	LWL	DATE	2018.08.31
PROJ.		02.2	REV.	AG	PAGE	1/2

NO.	CONTENT OF AMENDMENT	DATE	BY

This document is the property of JINPAT Electronics Co., Ltd (Shenzhen) (Hereafter "JINPAT"). It is lent and is to be returned upon request. The contents of this document are confidential and constitute trade secrets proprietary to JINPAT. Its contents document nor its contents shall be disclosed to any unauthorized person copied or published without JINPAT prior written consent.  
COPY RIGHT © 2018 JINPAT ELECTRONICS Co., Ltd (Shenzhen).



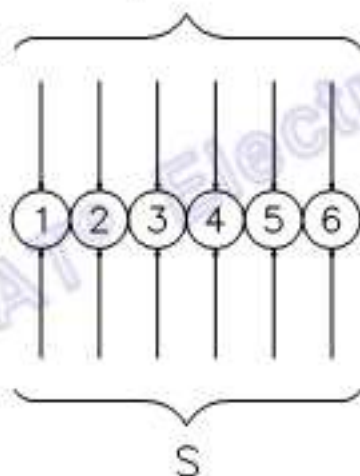
JINPAT  
www.slpring.cn

MODEL	LPT025-0610						
Customer code	/		TITLE	Outline Drawing			
UNIT	mm	PER IMAGE SPECIFIED	DESIGN	HW	DATE	2018.08.31	
SCALE	1:1	LINE 1-10 01.1 11-20 02.0 21-30 03.2 31-40 04.5 41-50 06.0	CHECKED	LWL	DATE	2018.08.31	
PROJ.		REV.	AG	PAGE	1/2		

NO.	CONTENT OF AMENDMENT	DATE	BY

This document is the property of JINPAT Electronics Co., Ltd (ShenZhen) (Hereafter "JINPAT"). It is lent and is to be returned upon request. The contents of this document are confidential and constitute trade secrets proprietary to JINPAT. Its contents document nor its contents shall be disclosed to any unauthorized person copied or published without JINPAT prior written consent.  
COPY RIGHT © 2018 JINPAT ELECTRONICS Co., Ltd (ShenZhen).

6Circuits \*  $\overset{R}{10A(240VAC)}$   
|  
AWG17# Teflon® UL



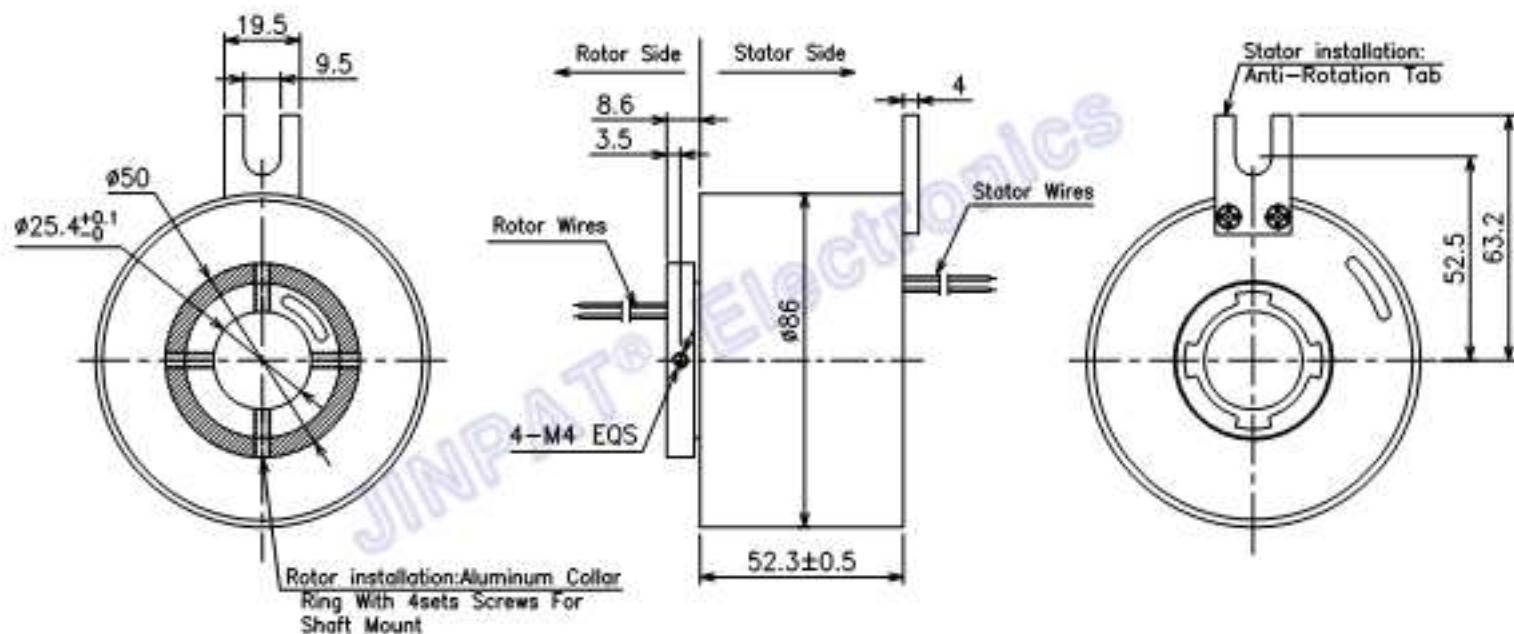
Electronic & Electric		Mechanical		
Circuits	Total	6 CRT	Working Speed	0-300rpm
	Detail	6/10A	Inner Diameter	425.4mm
Rating Voltage	240V AC/DC	Contact Material	Preious Metal	
Dielectric Strength	1000VAC/50Hz	Housing Material	Aluminum Alloy	
Insulation Resistance	>300MΩ/500VDC	Lead Wire Length	Outer:300mm Inner:300mm	
Environment		Remarks		
Working Temperature	-20°C~+80°C	Other	/	
Working Humidity	40%RH			

  
JINPAT  
www.slipring.cn

MODEL	LPT025-0610						
Customer code	/		TITLE	Wiring Diagram			
UNIT	mm	ALL UNITS SPECIFIED IN MM	DESIGN	HW	DATE	2018.08.31	
SCALE	1:1	5-18 55.1 18-25 62.1 26-30 65.2 31-35 68.3	CHECKED	LWL	DATE	2018.08.31	
PROJ.		REV.	AG	PAGE	1/2		

NO.	CONTENT OF AMENDMENT	DATE	BY

This document is the property of JINPAT Electronics Co., Ltd (Shenzhen) (Hereafter "JINPAT"). It is lent and is to be returned upon request. The contents of this document are confidential and constitute trade secrets proprietary to JINPAT. Its contents document nor its contents shall be disclosed to any unauthorized person copied or published without JINPAT prior written consent.  
COPY RIGHT © 2018 JINPAT ELECTRONICS Co., Ltd (Shenzhen).



JINPAT  
www.slipring.cn

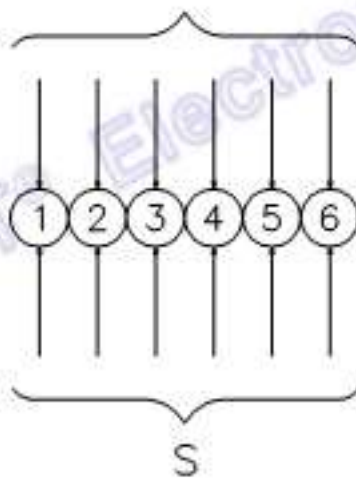
MODEL	LPT025-0615						
Customer code	/		TITLE	Outline Drawing			
UNIT	mm	UNLESS SPECIFIED	DESIGN	HW	DATE	2018.08.31	
SCALE	1:1	UNLESS SPECIFIED	CHECKED	LWL	DATE	2018.08.31	
PROJ.	◆	UNLESS SPECIFIED	REV.	AG	PAGE	1/2	



NO.	CONTENT OF AMENDMENT	DATE	BY

This document is the property of JINPAT Electronics Co., Ltd (Shenzhen) (Hereafter "JINPAT"). It is lent and is to be returned upon request. The contents of this document are confidential and constitute trade secrets proprietary to JINPAT. Its contents document nor its contents shall be disclosed to any unauthorized person copied or published without JINPAT prior written consent.  
COPY RIGHT © 2018 JINPAT ELECTRONICS Co., Ltd (Shenzhen).

R  
6Circuits \* 15A(240VAC)  
|  
AWG14# Teflon® UL



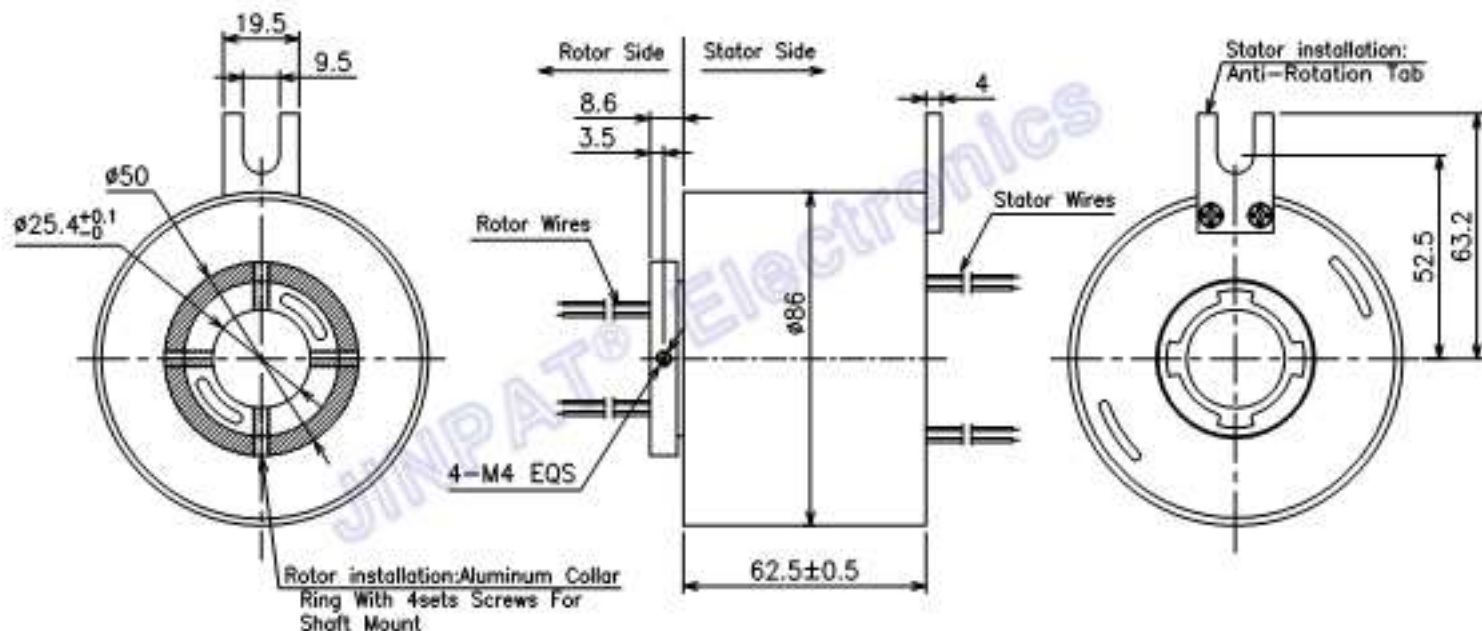
Electronic & Electric		Mechanical		
Circuits	Total	8 CRT	Working Speed	0-300rpm
	Detail	6/15A	Inner Diameter	φ25.4mm
Rating Voltage	240V AC/DC	Contact Material	Preious Metal	
Dielectric Strength	1000VAC@50Hz	Housing Material	Aluminum Alloy	
Insulation Resistance	>300MΩ@50VDC	Lead Wire Length	Outer:300mm Inner:300mm	
Environment		Remarks		
Working Temperature	-20°C~+80°C	Other	/	
Working Humidity	40%RH			

  
JINPAT  
www.slipring.cn

MODEL	LPT025-0615					
Customer code	/		TITLE	Wiring Diagram		
UNIT	mm	ALL UNITS SPECIFIED	DESIGN	HW	DATE	2018.08.31
SCALE	1:1	UNLESS SPECIFIED	CHECKED	LWL	DATE	2018.08.31
PROJ.		REV.	AG	PAGE	1/2	

NO.	CONTENT OF AMENDMENT	DATE	BY

This document is the property of JINPAT Electronics Co., Ltd (Shenzhen) (Hereafter "JINPAT"). It is lent and is to be returned upon request. The contents of this document are confidential and constitute trade secrets proprietary to JINPAT. Its contents document nor its contents shall be disclosed to any unauthorized person copied or published without JINPAT prior written consent.  
COPY RIGHT © 2018 JINPAT ELECTRONICS Co., Ltd (Shenzhen).

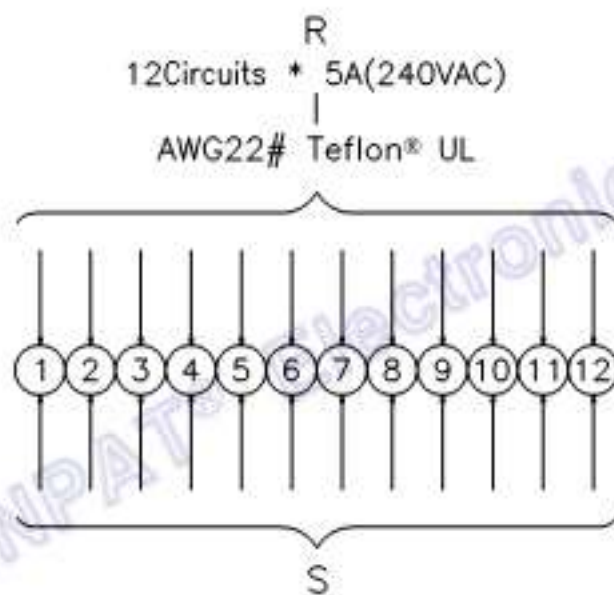


JINPAT  
www.slipring.cn

MODEL	LPT025-1205						
Customer code	/	TITLE	Outline Drawing				
UNIT	mm	DESIGN	HW	DATE	2018.08.31		
SCALE	1:1	CHECKED	LWL	DATE	2018.08.31		
PROJ.	◆	REV.	AG	PAGE	1/2		

REV	CONTENT OF AMENDMENT	DATE	BY

This document is the property of JINPAT Electronics Co., Ltd (ShenZhen) (Hereafter "JINPAT"). It is lent and is to be returned upon request. The contents of this document are confidential and constitute trade secrets proprietary to JINPAT. Its contents document nor its contents shall be disclosed to any unauthorized person copied or published without JINPAT prior written consent.  
COPY RIGHT © 2018 JINPAT ELECTRONICS Co., Ltd (ShenZhen).



Electronic & Electric			Mechanical	
Circuits	Total	12 CIR	Working Speed	0~300rpm
	Detail	12x4	Inner Diameter	φ25.4mm
Rating Voltage	240V AC/DC		Contact Material	Precious Metal
Dielectric Strength	1000VAC@50Hz		Housing Material	Aluminum Alloy
Insulation Resistance	≥300MΩ@50VDC		Lead Wire Length	Outer:300mm Inner:300mm
Environment			Remarks	
Working Temperature	-20°C~+80°C		Other	/
Working Humidity	40%RH			

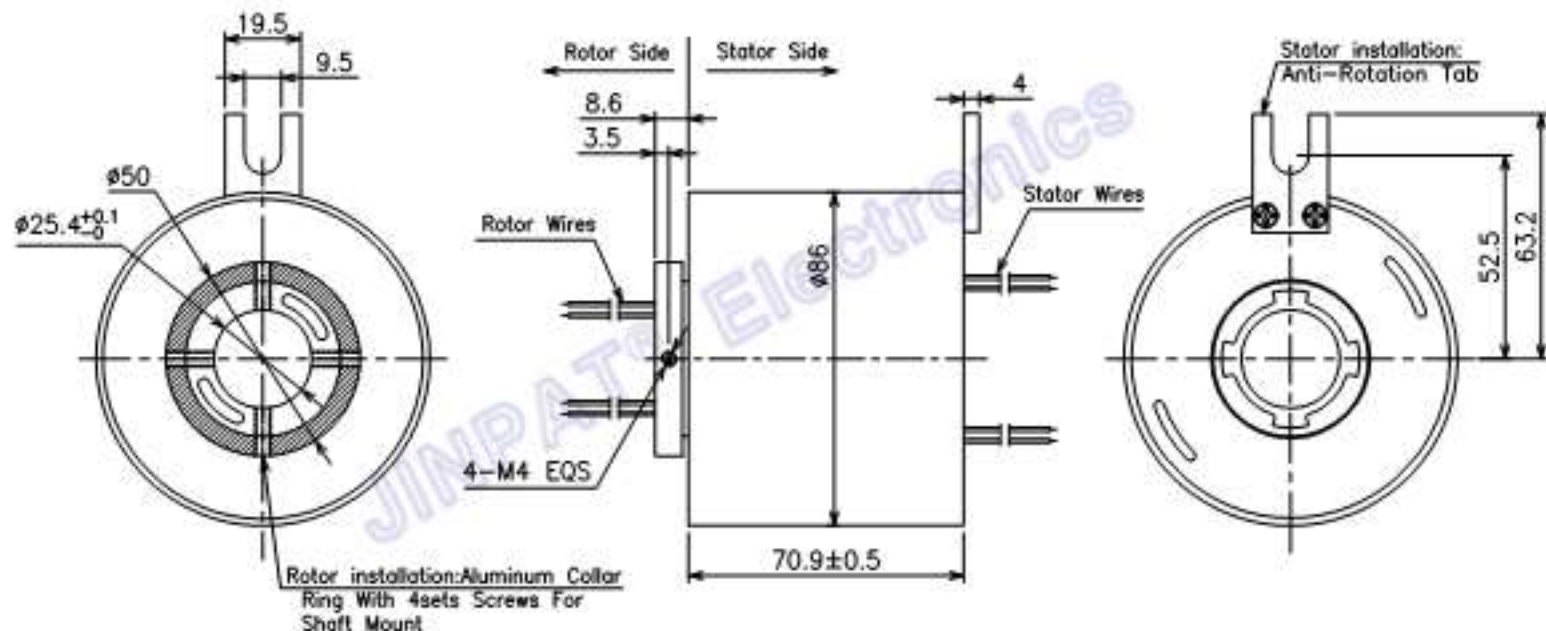
  
**JINPAT**  
[www.slipring.cn](http://www.slipring.cn)

MODEL	LPT025-1205						
Customer code	/		TITLE	Wiring Diagram			
UNIT	mm	ALL UNITS SPECIFIED	DESIGN	HW	DATE	2018.08.31	
SCALE	1:1	5--10 50.1 10--20 50.2 20--30 50.3 30--40 50.4 40--50 50.5 50--60 50.6 60--70 50.7 70--80 50.8 80--90 50.9 90--100 50.10	CHECKED	LWL	DATE	2018.08.31	
PROJ.			REV.	AG	PAGE	1/2	



NO.	CONTENT OF AMENDMENT	DATE	BY

This document is the property of JINPAT Electronics Co., Ltd (Shenzhen) (Hereafter "JINPAT"). It is lent and is to be returned upon request. The contents of this document are confidential and constitute trade secrets proprietary to JINPAT. Its contents document nor its contents shall be disclosed to any unauthorized person copied or published without JINPAT prior written consent.  
COPY RIGHT © 2018 JINPAT ELECTRONICS Co., Ltd (Shenzhen).

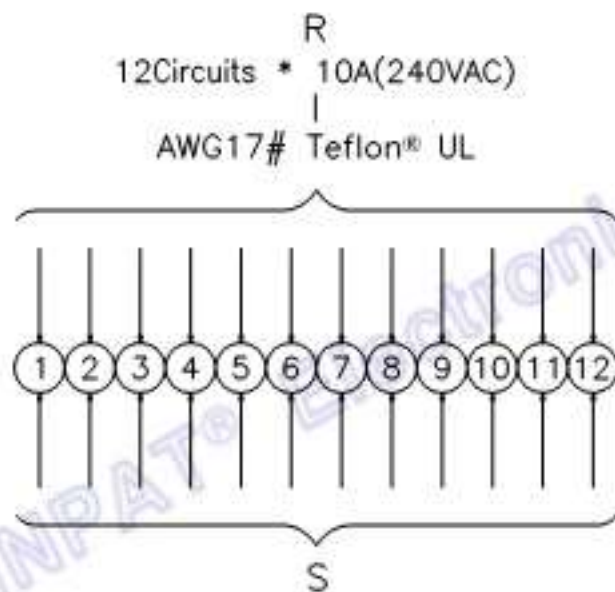


JINPAT  
www.slpring.cn

MODEL	LPT025-1210						
Customer code	/	TITLE	Outline Drawing				
UNIT	mm	DESIGN	HW	DATE	2018.08.31		
SCALE	1:1	CHECKED	LWL	DATE	2018.08.31		
PROJ.		REV.	AG	PAGE	1/2		


NO.	CONTENT OF AMENDMENT	DATE	BY

This document is the property of JINPAT Electronics Co., Ltd (ShenZhen) (Hereafter "JINPAT"). It is lent and is to be returned upon request. The contents of this document are confidential and constitute trade secrets proprietary to JINPAT. Its contents document nor its contents shall be disclosed to any unauthorized person copied or published without JINPAT prior written consent.  
COPY RIGHT © 2018 JINPAT ELECTRONICS Co., Ltd (ShenZhen).



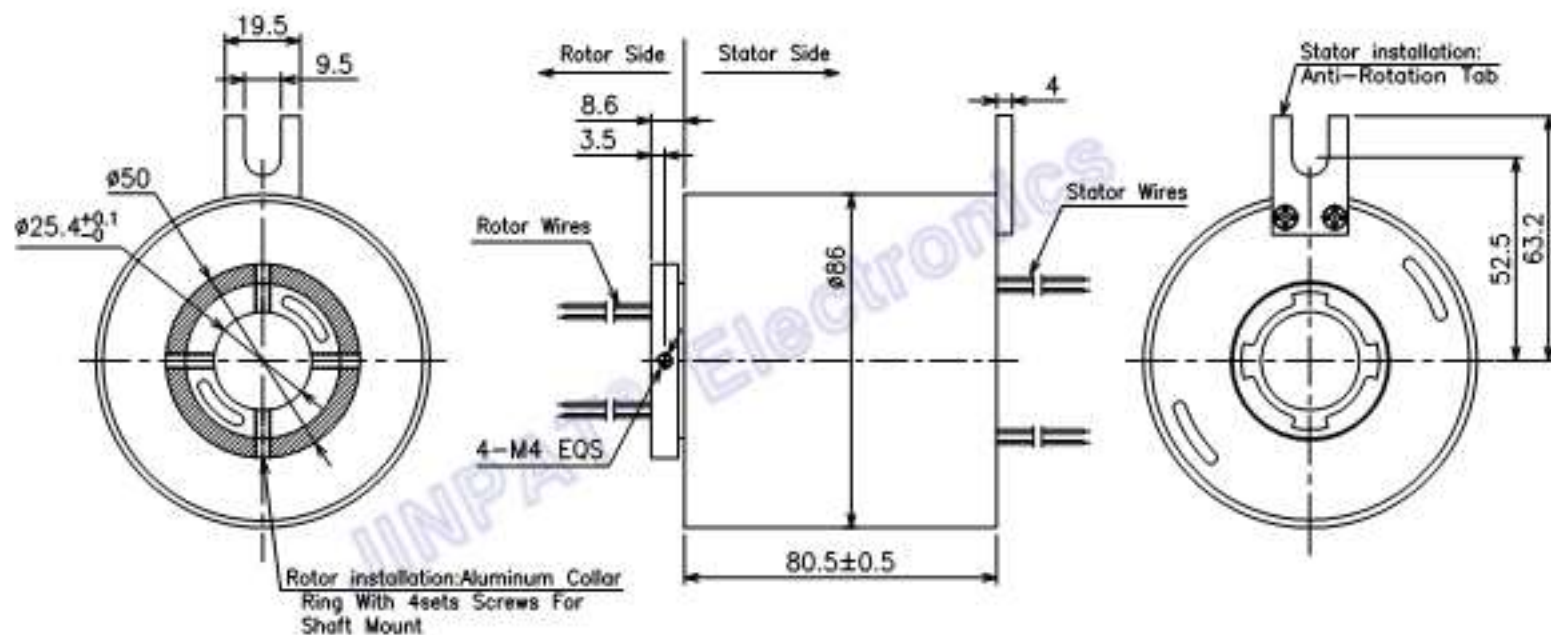
Electronic & Electric			Mechanical	
Circuits	Total	12 CIR	Working Speed	0-300rpm
	Detail	12x10A	Inner Diameter	φ25.4mm
Rating Voltage	240V AC/DC		Contact Material	Precious Metal
Dielectric Strength	1000VAC@50Hz		Housing Material	Aluminum Alloy
Insulation Resistance	≥300MΩ@50VDC		Lead Wire Length	Outer:300mm Inner:300mm
Environment			Remarks	
Working Temperature	-20°C~+80°C		Other	/
Working Humidity	CASRH			

  
**JINPAT**  
[www.slipring.cn](http://www.slipring.cn)

MODEL	LPT025-1210					
Customer code	/		TITLE	Wiring Diagram		
LWT	mm	PL. WIRE SPECIFIED	DESIGN	HW	DATE	2018.08.31
SCALE	1:1	<small>           5-19 AWG            20-22 AWG            24-26 AWG            28-30 AWG         </small>	CHECKED	LWL	DATE	2018.08.31
PROJ.		AWG	REV.	AG	PAGE	1/2

NO.	CONTENT OF AMENDMENT	DATE	BY

This document is the property of JINPAT Electronics Co., Ltd (Shenzhen) (Hereafter "JINPAT"). It is lent and is to be returned upon request. The contents of this document are confidential and constitute trade secrets proprietary to JINPAT. Its contents document nor its contents shall be disclosed to any unauthorized person copied or published without JINPAT prior written consent.  
COPY RIGHT © 2018 JINPAT ELECTRONICS Co., Ltd (Shenzhen).

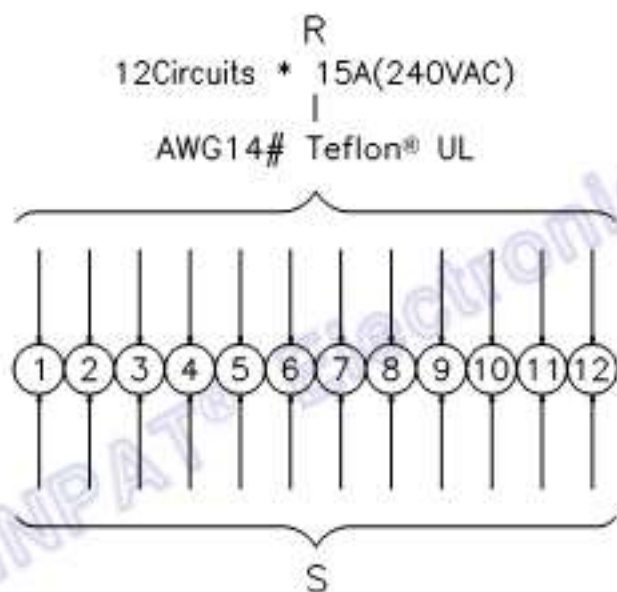


JINPAT  
www.slpring.cn

MODEL	LPT025-1215						
Customer code	/	TITLE	Outline Drawing				
UNIT	mm	UNLESS SPECIFIED	DESIGN	HW	DATE	2018.08.31	
SCALE	1:1	UNLESS SPECIFIED	CHECKED	LWL	DATE	2018.08.31	
PROJ.	◆	UNLESS SPECIFIED	REV.	AG	PAGE	1/2	

REV	CONTENT OF AMENDMENT	DATE	BY

This document is the property of JINPAT Electronics Co., Ltd (ShenZhen) (Hereafter "JINPAT"). It is lent and is to be returned upon request. The contents of this document are confidential and constitute trade secrets proprietary to JINPAT. Its contents document nor its contents shall be disclosed to any unauthorized person copied or published without JINPAT prior written consent.  
COPY RIGHT © 2018 JINPAT ELECTRONICS Co., Ltd (ShenZhen).



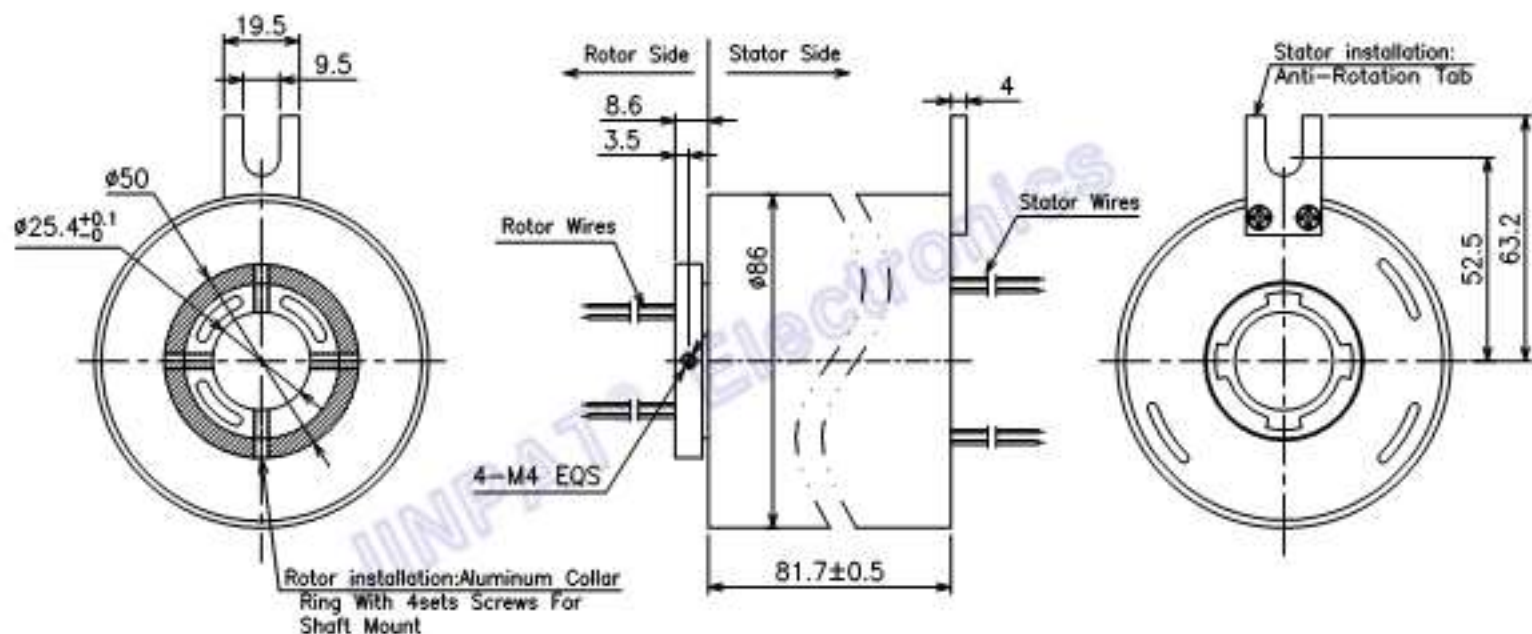
Electronic & Electric		Mechanical		
Circuits	Total	12 CIR	Working Speed	0-300rpm
	Detail	12x15A	Inner Diameter	φ25.4mm
Rating Voltage	240V AC/DC	Contact Material	Precious Metal	
Dielectric Strength	1000VAC@50Hz	Housing Material	Aluminum Alloy	
Insulation Resistance	>300MΩ@50VDC	Lead Wire Length	Outer:300mm Inner:300mm	
Environment		Remarks		
Working Temperature	-20°C~+80°C	Other	/	
Working Humidity	40%RH			

  
**JINPAT**  
 www.slipring.cn

MODEL	LPT025-1215					
Customer code	/		TITLE	Wiring Diagram		
UNIT	mm	PL UNITS SPECIFIED	DESIGN	HW	DATE	2018.08.31
SCALE	1:1	5--10 50.1 10--20 50.2 20--30 50.3 30--40 50.4 40--50 50.5 50--60 50.6 60--70 50.7 70--80 50.8 80--90 50.9 90--100 50.10	CHECKED	LWL	DATE	2018.08.31
PROJ.			REV.	AG	PAGE	1/2

NO.	CONTENT OF AMENDMENT	DATE	BY

This document is the property of JINPAT Electronics Co., Ltd (Shenzhen) (Hereafter "JINPAT"). It is lent and is to be returned upon request. The contents of this document are confidential and constitute trade secrets proprietary to JINPAT. Its contents document nor its contents shall be disclosed to any unauthorized person copied or published without JINPAT prior written consent.  
COPY RIGHT © 2018 JINPAT ELECTRONICS Co., Ltd (Shenzhen).



JINPAT  
www.slpring.cn

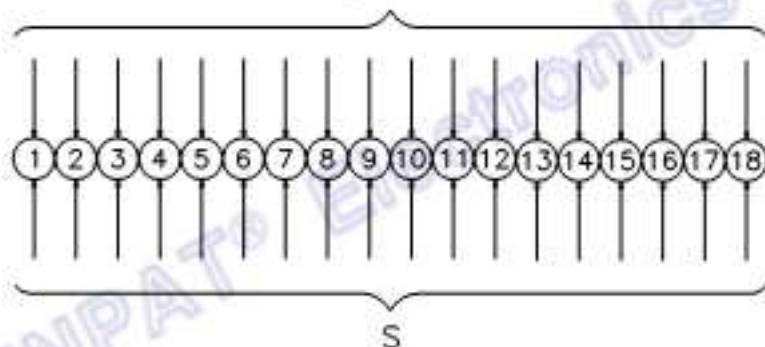
MODEL	LPT025-1805						
Customer code	/	TITLE	Outline Drawing				
UNIT	mm	DESIGN	HW	DATE	2018.08.31		
SCALE	1:1	CHECKED	LWL	DATE	2018.08.31		
PROJ.	◆	REV.	AG	PAGE	1/2		



NO.	CONTENT OF AMENDMENT	DATE	BY

This document is the property of JINPAT Electronics Co., Ltd (ShenZhen) (Hereafter "JINPAT"). It is lent and is to be returned upon request. The contents of this document are confidential and constitute trade secrets proprietary to JINPAT. Its contents document nor its contents shall be disclosed to any unauthorized person copied or published without JINPAT prior written consent.  
COPY RIGHT © 2018 JINPAT ELECTRONICS Co., Ltd (ShenZhen).

R  
18Circuits \* 5A(240VAC)  
|  
AWG22# Teflon® UL



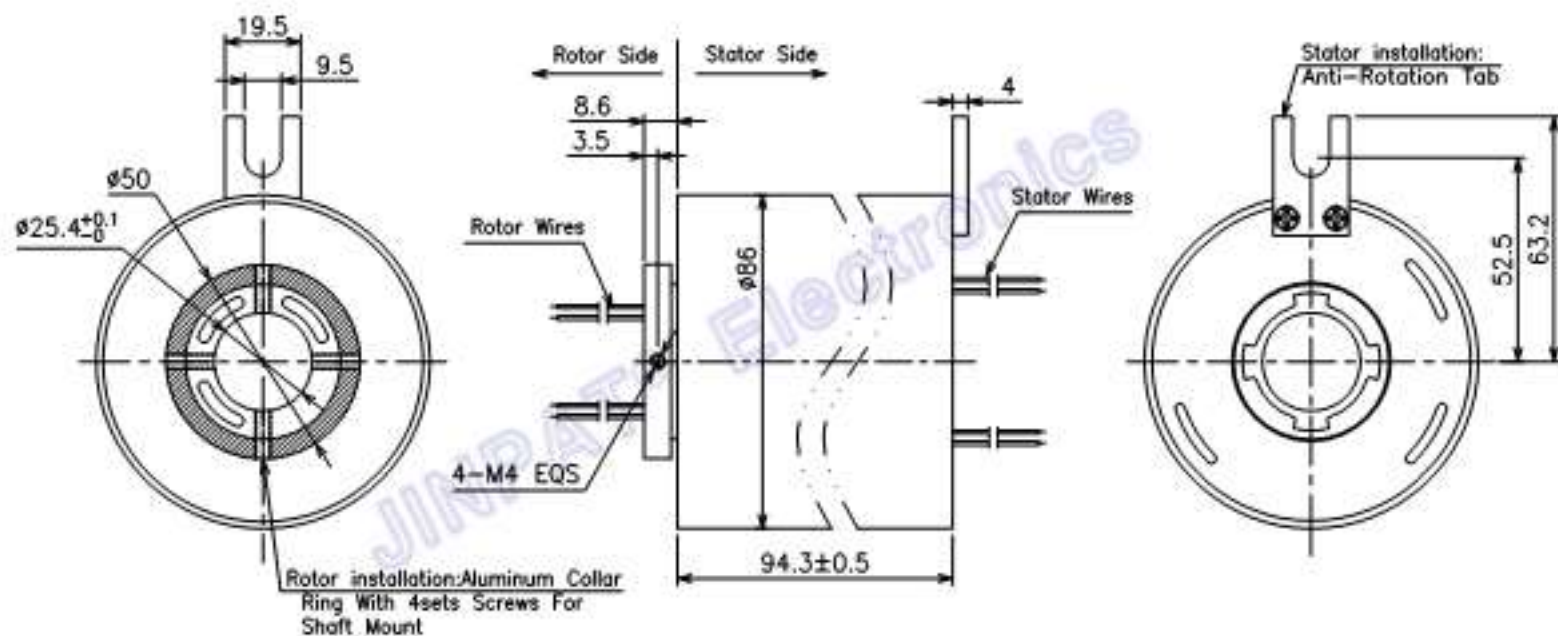
Electronic & Electric		Mechanical		
Circuits	Total	18 CIR	Working Speed	0-300rpm
	Detail	18x1A	Inner Diameter	φ25.4mm
Rating Voltage	240V AC/DC	Contact Material	Precious Metal	
Dielectric Strength	1000VAC@50Hz	Housing Material	Aluminum Alloy	
Insulation Resistance	>300MΩ@50VDC	Lead Wire Length	Station:300mm Reel:300mm	
Environment		Remarks		
Working Temperature	-20°C~+80°C	Other	/	
Working Humidity	40%RH			

  
JINPAT  
www.slipring.cn

MODEL	LPT025-1805						
Customer code	/		TITLE	Wiring Diagram			
UNIT	mm	PL UNITS SPECIFIED	DESIGN	HWM	DATE	2018.08.31	
SCALE	1:1	UNITS 1-10 00.1 11-20 00.15 21-30 00.2 31-40 00.3	CHECKED	LWL	DATE	2018.08.31	
PROJ.		REV.	AG	PAGE	1/2		

NO.	CONTENT OF AMENDMENT	DATE	BY

This document is the property of JINPAT Electronics Co., Ltd (Shenzhen) (Hereafter "JINPAT"). It is lent and is to be returned upon request. The contents of this document are confidential and constitute trade secrets proprietary to JINPAT. Its contents document nor its contents shall be disclosed to any unauthorized person copied or published without JINPAT prior written consent.  
COPY RIGHT © 2018 JINPAT ELECTRONICS Co., Ltd (Shenzhen).



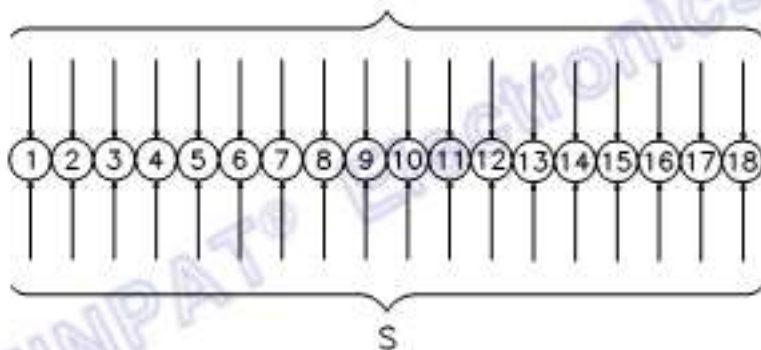
JINPAT  
www.slipring.cn

MODEL	LPT025-1810						
Customer code	/		TITLE	Outline Drawing			
UNIT	mm	PL. UNITS SPECIFIED	DESIGN	HW	DATE	2018.08.31	
SCALE	1:1	0-10 00.1 10-30 00.2 30-50 00.3 50-70 00.4 70-90 00.5 90-100 00.6	CHECKED	LWL	DATE	2018.08.31	
PROJ.		00.7	REV.	AG	PAGE	1/2	

REV	CONTENT OF AMENDMENT	DATE	BY


This document is the property of JINPAT Electronics Co., Ltd (ShenZhen) (Hereafter "JINPAT"). It is lent and is to be returned upon request. The contents of this document are confidential and constitute trade secrets proprietary to JINPAT. Its contents document nor its contents shall be disclosed to any unauthorized person copied or published without JINPAT prior written consent.  
COPY RIGHT © 2018 JINPAT ELECTRONICS Co., Ltd (ShenZhen).

R  
18Circuits \* 10A(240VAC)  
|  
AWG17# Teflon® UL



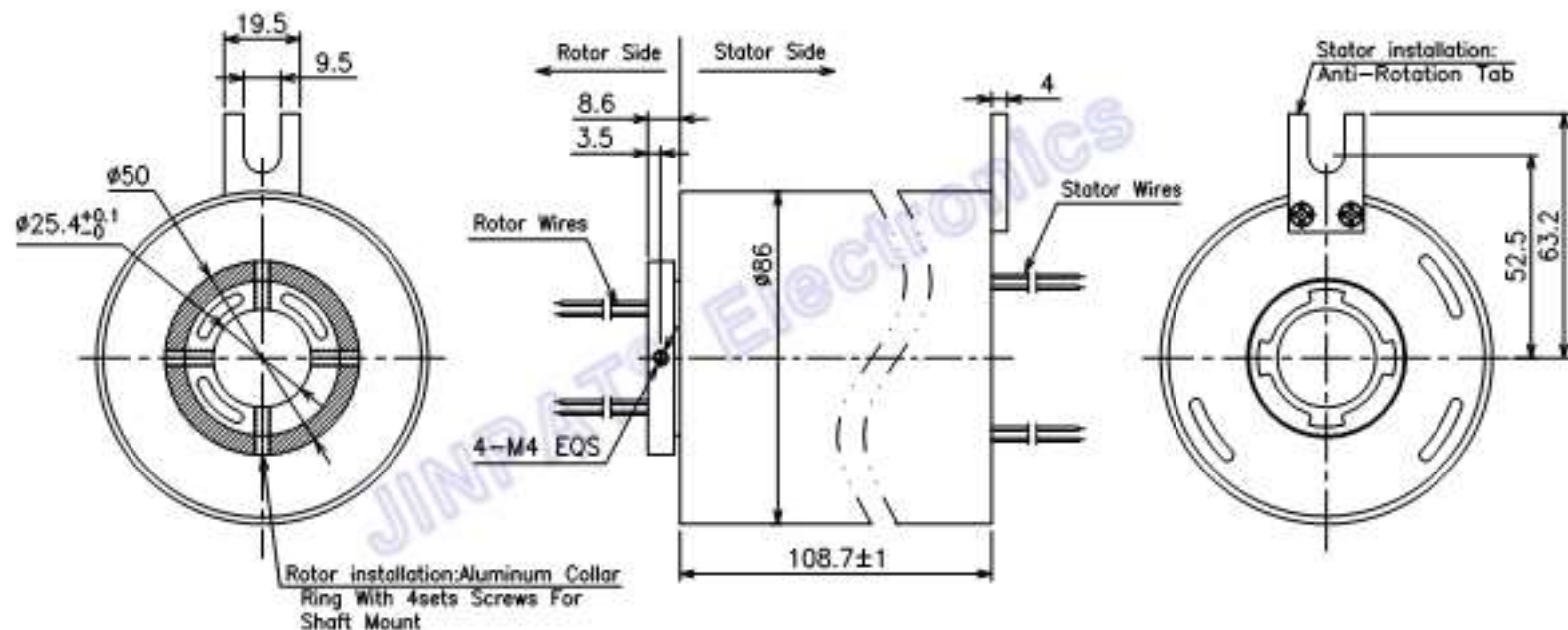
Electronic & Electric		Mechanical		
Circuits	Total	18 Ckt	Working Speed	0-300rpm
	Detail	18x10A	Inner Diameter	425.4mm
Rating Voltage	240V AC/DC	Contact Material	Phenolic Metal	
Dielectric Strength	1000VAC@50Hz	Housing Material	Aluminum Alloy	
Insulation Resistance	>300MΩ@50VDC	Lead Wire Length	Outer:300mm Inner:300mm	
Environment		Remarks		
Working Temperature	-20°C~+80°C	Other	/	
Working Humidity	40%RH			

  
JINPAT  
www.slipring.cn

MODEL	LPT025-1810						
Customer code	/		TITLE	Wiring Diagram			
UNIT	mm	ALL UNITS SPECIFIED	DESIGN	HW	DATE	2018.08.31	
SCALE	1:1	UNLESS SPECIFIED	CHECKED	LWL	DATE	2018.08.31	
PROJ.		1-18 00.1 1-9 00.10 1-8 00.10 1-8 00.1 1-8 00.1	REV.	AG	PAGE	1/2	

NO.	CONTENT OF AMENDMENT	DATE	BY

This document is the property of JINPAT Electronics Co., Ltd (Shenzhen) (Hereafter "JINPAT"). It is lent and is to be returned upon request. The contents of this document are confidential and constitute trade secrets proprietary to JINPAT. Its contents document nor its contents shall be disclosed to any unauthorized person copied or published without JINPAT prior written consent.  
COPY RIGHT © 2018 JINPAT ELECTRONICS Co., Ltd (Shenzhen).



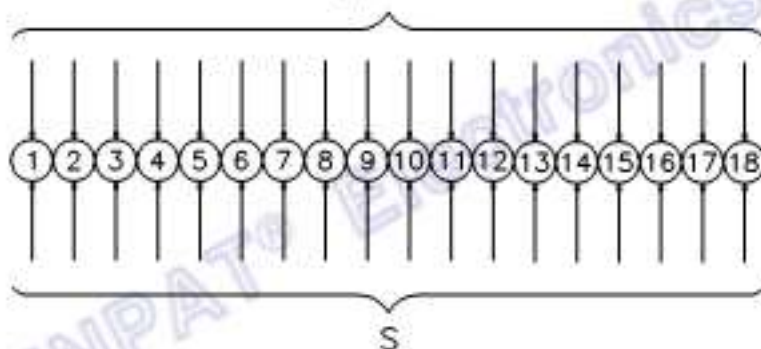
JINPAT  
www.slipring.cn

MODEL	LPT025-1815						
Customer code	/	TITLE	Outline Drawing				
UNIT	mm	DESIGN	HW	DATE	2018.08.31		
SCALE	1:1	CHECKED	LWL	DATE	2018.08.31		
PROJ.		REV.	AG	PAGE	1/2		

REV	CONTENT OF AMENDMENT	DATE	BY


This document is the property of JINPAT Electronics Co., Ltd (ShenZhen) (Hereafter "JINPAT"). It is lent and is to be returned upon request. The contents of this document are confidential and constitute trade secrets proprietary to JINPAT. Its contents document nor its contents shall be disclosed to any unauthorized person copied or published without JINPAT prior written consent.  
COPY RIGHT © 2018 JINPAT ELECTRONICS Co., Ltd (ShenZhen).

R  
18Circuits \* 15A(240VAC)  
|  
AWG14# Teflon® UL



Electronic & Electric		Mechanical		
Circuits	Total	18 CIR	Working Speed	0-300rpm
	Detail	18*15A	Inner Diameter	φ25.4mm
Rating Voltage	240V AC/DC	Contact Material	Phenolic Mtd	
Dielectric Strength	1000VAC@50Hz	Housing Material	Aluminum Alloy	
Insulation Resistance	>300MΩ@50VDC	Lead Wire Length	Outer:300mm Inner:300mm	
Environment		Remarks		
Working Temperature	-20°C~+80°C	Other	/	
Working Humidity	40%RH			

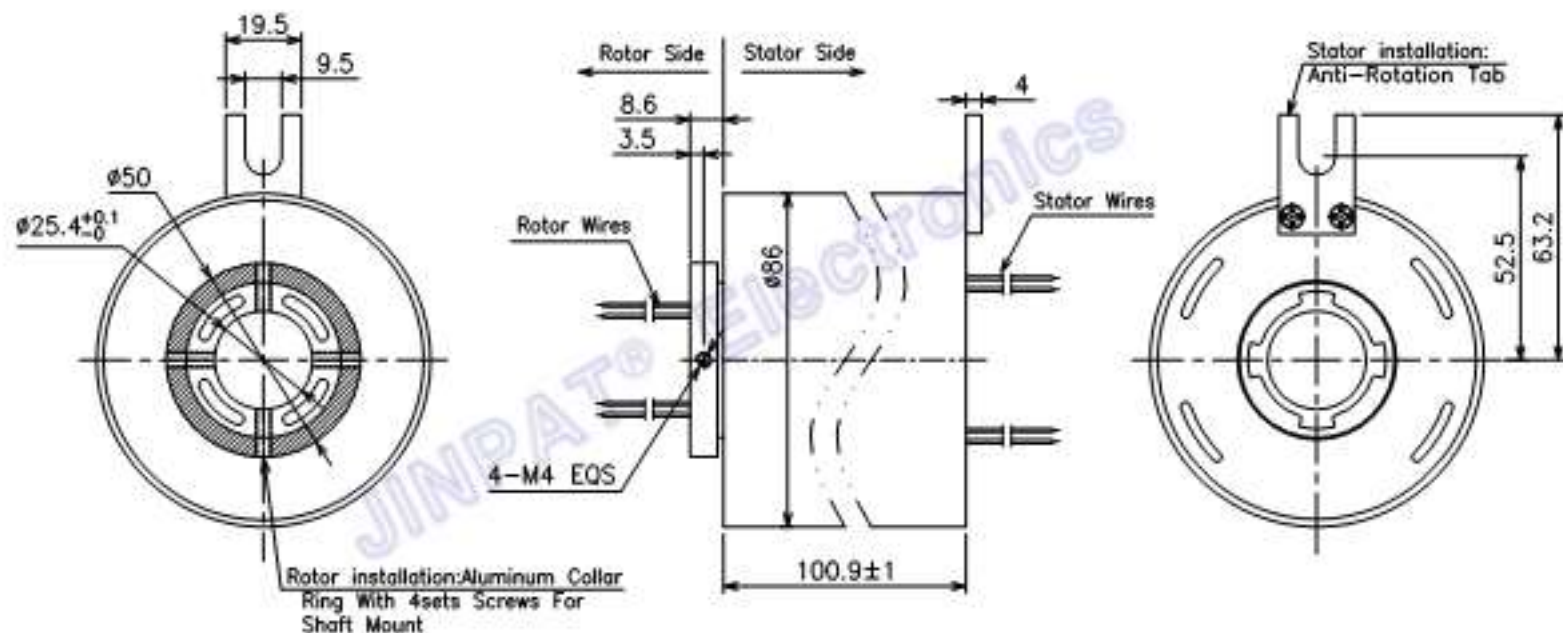
  
JINPAT  
www.slipring.cn

MODEL	LPT025-1815						
Customer code	/		TITLE	Wiring Diagram			
UNIT	mm	PL. UNITS SPECIFIED	DESIGN	HW	DATE	2018.08.31	
SCALE	1:1	5-18 15.1 18-20 22.1 20-22 24.2 22-24 26.2 24-26 28.2 26-28 30.2	CHECKED	LWL	DATE	2018.08.31	
PROJ.		REV.	AG	PAGE	1/2		



NO.	CONTENT OF AMENDMENT	DATE	BY

This document is the property of JINPAT Electronics Co., Ltd (Shenzhen) (Hereafter "JINPAT"). It is lent and is to be returned upon request. The contents of this document are confidential and constitute trade secrets proprietary to JINPAT. Its contents document nor its contents shall be disclosed to any unauthorized person copied or published without JINPAT prior written consent.  
COPY RIGHT © 2018 JINPAT ELECTRONICS Co., Ltd (Shenzhen).



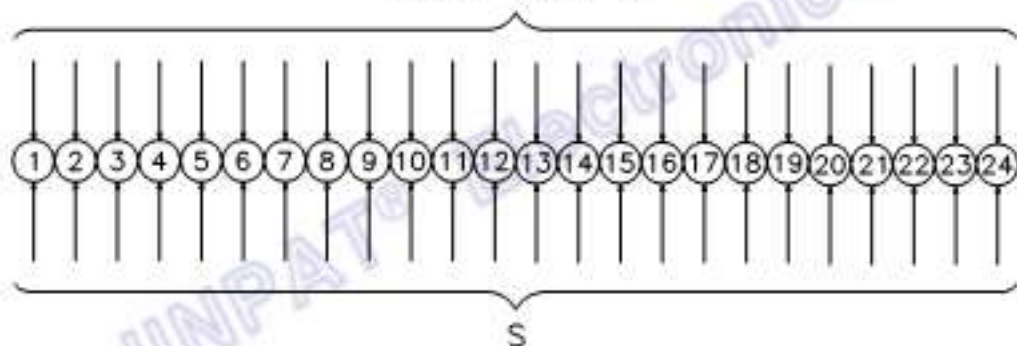
JINPAT  
www.slipring.cn

MODEL	LPT025-2405						
Customer code	/		TITLE	Outline Drawing			
UNIT	mm	NO. SHEETS SPECIFIED	DESIGN	HW	DATE	2018.08.31	
SCALE	1:1	1-10 01.1 11-20 02.2 21-30 03.3 31-40 04.4 41-50 05.5 51-60 06.6 61-70 07.7 71-80 08.8 81-90 09.9 91-100 10.10	CHECKED	LWL	DATE	2018.08.31	
PROJ.		NO. 7	REV.	AG	PAGE	1/2	

NO.	CONTENT OF AMENDMENT	DATE	BY

This document is the property of JINPAT Electronics Co., Ltd (Shenzhen) (Hereafter "JINPAT"). It is lent and is to be returned upon request. The contents of this document are confidential and constitute trade secrets proprietary to JINPAT. Its contents document nor its contents shall be disclosed to any unauthorized person copied or published without JINPAT prior written consent.  
COPY RIGHT © 2018 JINPAT ELECTRONICS Co., Ltd (Shenzhen).

R  
24Circuits \* 5A(240VAC)  
|  
AWG22# Teflon<sup>®</sup> UL



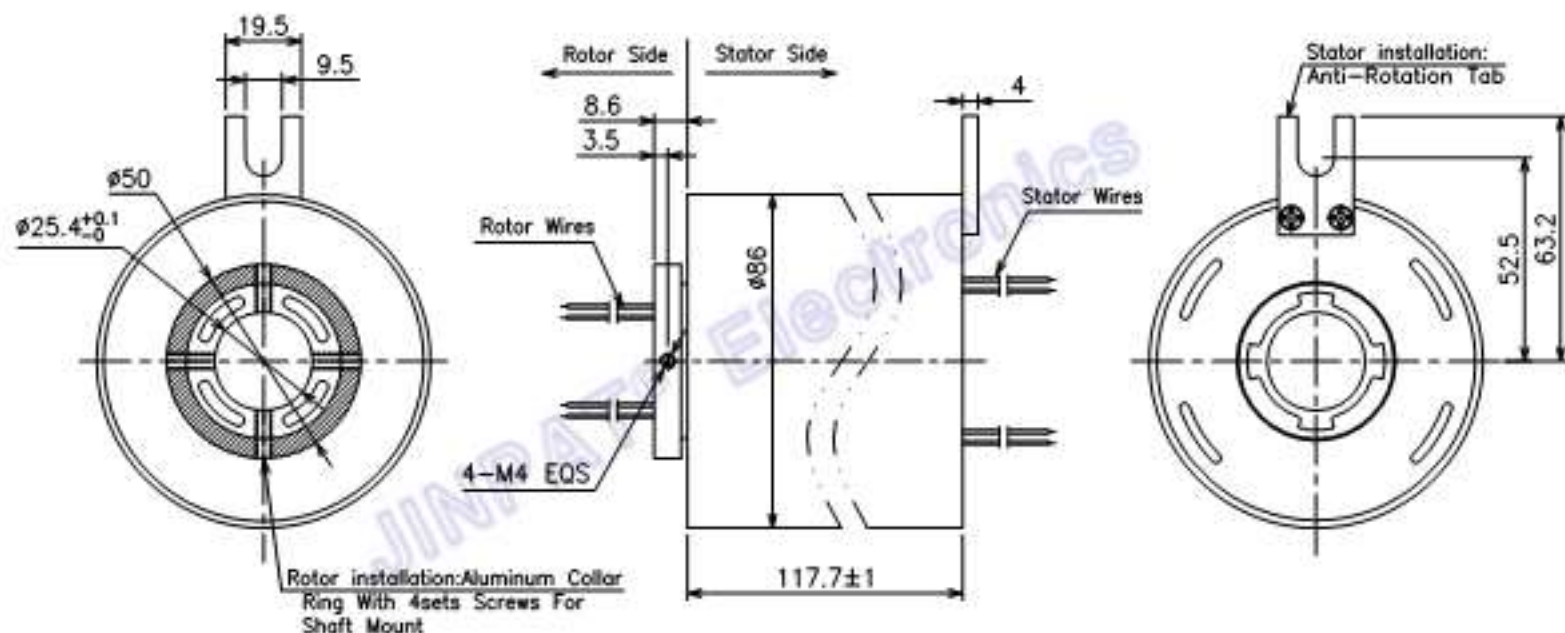
Electronic & Electric		Mechanical		
Circuits	Total	24 DC	Working Speed	0-300rpm
	Detail	24x5A	Inner Diameter	425.4mm
Rating Voltage	240V AC/DC	Contact Material	Precious Metal	
Dielectric Strength	1000VAC@50Hz	Housing Material	Aluminum Alloy	
Insulation Resistance	>300MΩ@50VDC	Lead Wire Length	Outer:300mm Inner:300mm	
Environment		Remarks		
Working Temperature	-20°C~+80°C	Other	/	
Working Humidity	40%RH			

  
JINPAT  
www.slipring.cn

MODEL	LPT025-2405						
Customer code	/	TITLE	Wiring Diagram				
LWT	mm	PL. WIRE SPECIFIED	DESIGN	HW	DATE	2018.08.31	
SCALE	1:1	AWG 24-26 AWG 28-30 AWG 32-34 AWG	CHECKED	LWL	DATE	2018.08.31	
PROJ.		AWG	REV.	AG	PAGE	1/2	

NO.	CONTENT OF AMENDMENT	DATE	BY

This document is the property of JINPAT Electronics Co., Ltd (ShenZhen) (Hereafter "JINPAT"). It is lent and is to be returned upon request. The contents of this document are confidential and constitute trade secrets proprietary to JINPAT. Its contents document nor its contents shall be disclosed to any unauthorized person copied or published without JINPAT prior written consent.  
COPY RIGHT © 2018 JINPAT ELECTRONICS Co., Ltd (ShenZhen).



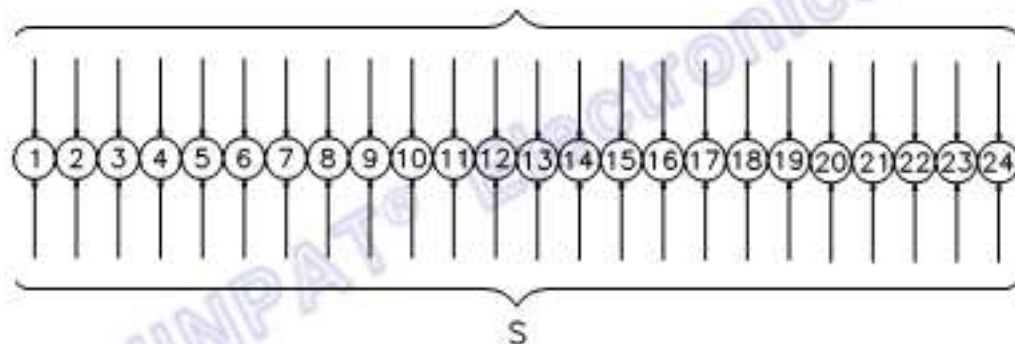
JINPAT  
www.slipring.cn

MODEL	LPT025-2410						
Customer code	/		TITLE	Outline Drawing			
UNIT	mm	UNLESS SPECIFIED	DESIGN	HWM	DATE	2018.08.31	
SCALE	1:1	1:10 1:5 1:20 1:50 1:100	CHECKED	LWL	DATE	2018.08.31	
PROJ.		1:1 1:2 1:5 1:10 1:20 1:50 1:100	REV.	AG	PAGE	1/2	

NO.	CONTENT OF AMENDMENT	DATE	BY


This document is the property of JINPAT Electronics Co., Ltd (ShenZhen) (Hereafter "JINPAT"). It is lent and is to be returned upon request. The contents of this document are confidential and constitute trade secrets proprietary to JINPAT. Its contents document nor its contents shall be disclosed to any unauthorized person copied or published without JINPAT prior written consent.  
COPY RIGHT © 2018 JINPAT ELECTRONICS Co., Ltd (ShenZhen).

R  
24Circuits \* 10A(240VAC)  
|  
AWG17# Teflon® UL



Electronic & Electric		Mechanical		
Circuits	Total	24 DC	Working Speed	0-300rpm
	Detail	24x10A	Inner Diameter	425.4mm
Rating Voltage	240V AC/DC	Contact Material	Preious Metal	
Dielectric Strength	1000VAC@50Hz	Housing Material	Aluminum Alloy	
Insulation Resistance	>300MΩ@50VDC	Lead Wire Length	Outer:300mm Inner:300mm	
Environment		Remarks		
Working Temperature	-20°C~+80°C	Other	/	
Working Humidity	40%RH			

  
JINPAT  
www.slipring.cn

MODEL	LPT025-2410						
Customer code	/		TITLE	Wiring Diagram			
LWT	mm	PL UNITS SPECIFIED	DESIGN	HW	DATE	2018.08.31	
SCALE	1:1	5-19 05.1 7-8-20 02.19 1-6-20 02.2 02.2 02.2	CHECKED	LWL	DATE	2018.08.31	
PROJ		02.2	REV.	AG	PAGE	1/2	

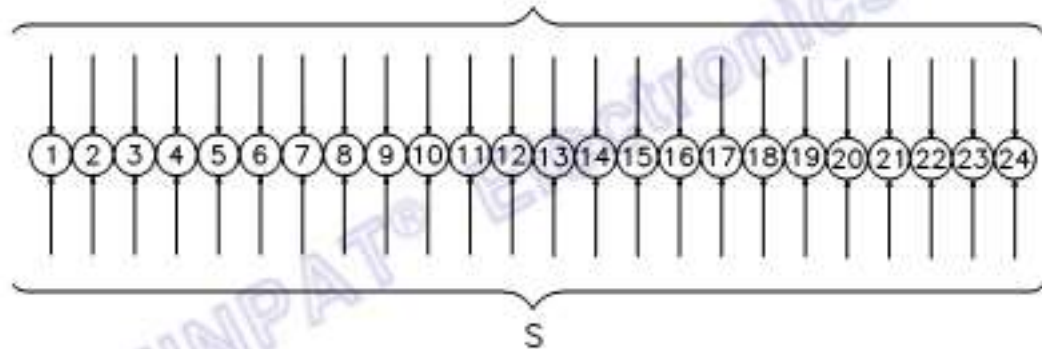




REV	CONTENT OF AMENDMENT	DATE	BY


This document is the property of JINPAT Electronics Co., Ltd (ShenZhen) (Hereafter "JINPAT"). It is lent and is to be returned upon request. The contents of this document are confidential and constitute trade secrets proprietary to JINPAT. Its contents document nor its contents shall be disclosed to any unauthorized person copied or published without JINPAT prior written consent.  
COPY RIGHT © 2018 JINPAT ELECTRONICS Co., Ltd (ShenZhen).

R  
24Circuits \* 15A(240VAC)  
|  
AWG14# Teflon® UL



Electronic & Electric			Mechanical	
Circuits	Total	24 DC	Working Speed	0-300rpm
	Detail	24x15A	Inner Diameter	φ25.4mm
Rating Voltage	240V AC/DC		Contact Material	Phenolic Metal
Dielectric Strength	1000VAC@50Hz		Housing Material	Aluminum Alloy
Insulation Resistance	≥300MΩ@50VDC		Lead Wire Length	Outer:300mm Inner:300mm
Environment			Remarks	
Working Temperature	-20°C~+80°C		Other	/
Working Humidity	40%RH			

  
JINPAT  
www.slipring.cn

MODEL	LPT025-2415					
Customer code	/		TITLE	Wiring Diagram		
LWT	mm	PL WIRE SPECIFIED	DESIGN	HW	DATE	2018.08.31
SCALE	1:1	AWG 18-19 AWG 20-22 AWG 24-26 AWG 30-32 AWG	CHECKED	LWL	DATE	2018.08.31
PROJ.		AWG 30.7	REV.	AG	PAGE	1/2