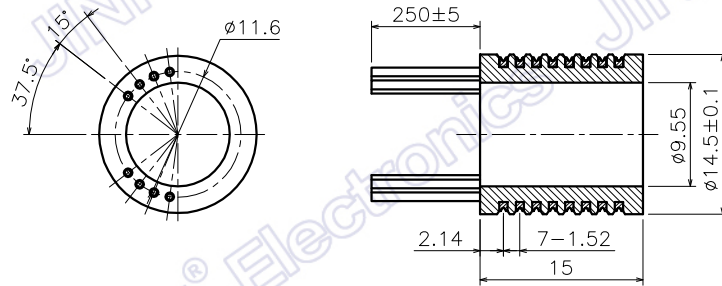


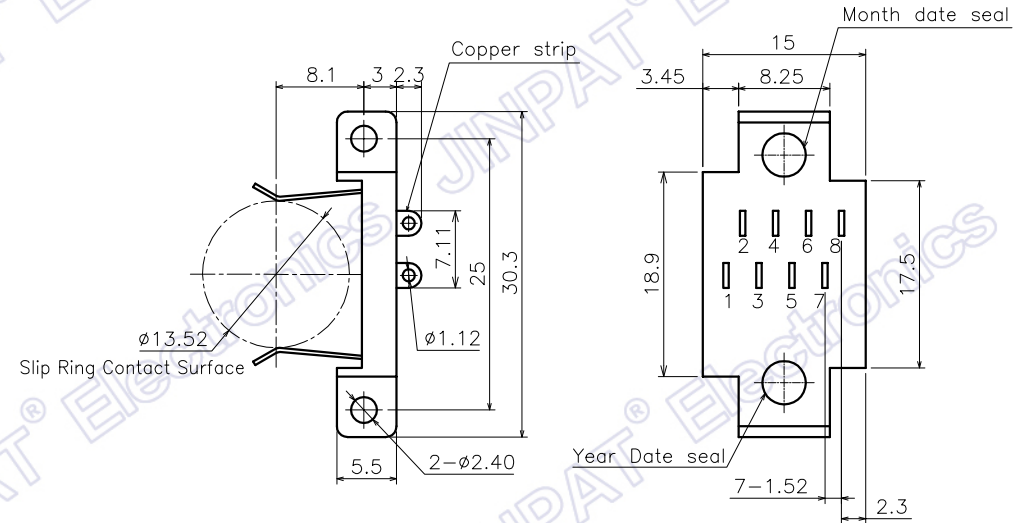
MARK	CONTENT OF AMENDMENT	DATE	DRAW

This document is the property of JINPAT Electronics Co., Ltd (ShenZhen) (Hereafter"JINPAT"). It is lent and is to be returned upon request. The contents of this document are confidential and constitute trade secrets proprietary to JINPAT. Its contents document nor its contents shall be disclosed to any unauthorized person copied or published without JINPAT prior written consent.
COPY RIGHT © 2022 JINPAT ELECTRONICS Co., Ltd (ShenZhen).


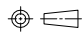
LPS-08C-R Dimensions



LPS-08C-S Dimensions

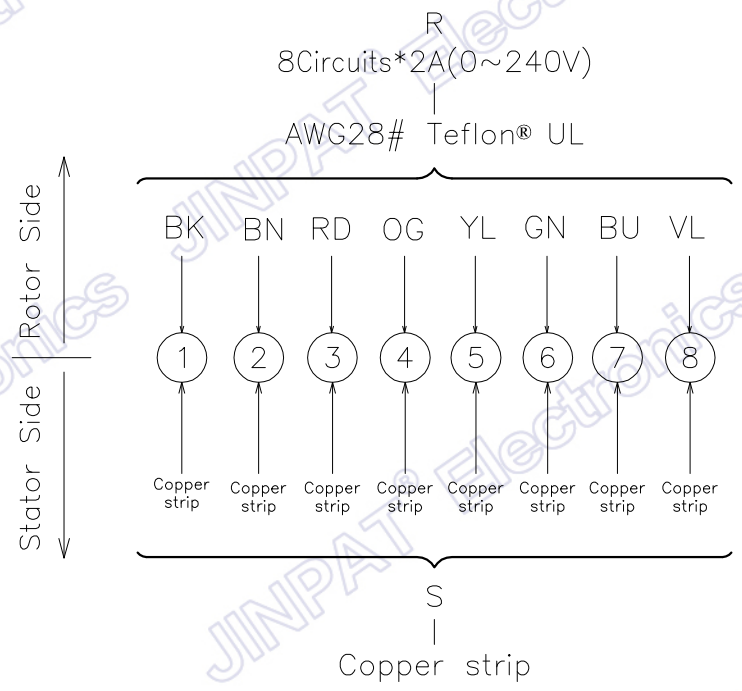


LPS-08C-R	Rotor	$\phi 14.5 \times 15$	1
LPS-08C-S	Stator	$30.3 \times 5.5 \times 15$	1
Model	Name	Specification	Quantity

 JINPAT www.slipring.cn	MODEL	LPS-08C						
	Customer code				TITLE	Outline Drawing		
	UNIT	mm	TOL UNLESS SPECIFIED	DESIGN	LYQ	DATE	2022.12.06	
	SCALE	1:1	LINEAR 0--18 ± 0.1 >18--80 ± 0.15 >80--250 ± 0.2 ANGLE x' $\pm 0.5'$	CHECKED	LML	DATE	2022.12.06	
PROJ.			REV.	AO	PAGE	1/2		

MARK	CONTENT OF AMENDMENT	DATE	DRAW

This document is the property of JINPAT Electronics Co., Ltd (ShenZhen) (Hereafter "JINPAT"). It is lent and is to be returned upon request. The contents of this document are confidential and constitute trade secrets proprietary to JINPAT. Its contents document nor its contents shall be disclosed to any unauthorized person copied or published without JINPAT prior written consent.
 COPY RIGHT © 2022 JINPAT ELECTRONICS Co., Ltd (ShenZhen).



Electronic & Electric		Mechanical		
Circuits	Total	8 CKT	Working Speed	0~100rpm
	Detail	8x2A	Contact Material	Gold to Gold
Rating Voltage		0~240V AC/DC	Housing Material	Engineering plastics (Peacock Blue)
Dielectric Strength		≥500VAC@50Hz	Lead Wire Length	Rotor: 250±5mm Stator: Copper strip
Insulation Resistance		≥100MΩ@500VDC	Electrical Noise	≤35mΩ (Operate at 5 rpm)
Environment		Remarks		
Working Temperature	-20°C~+60°C	Application	/	
Working Humidity	≤60%RH	Other	/	
IP	IP00			

JINPAT
www.slipring.cn

MODEL	LPS-08C						
Customer code				TITLE	Wiring Diagram		
UNIT	mm	TOL UNLESS SPECIFIED		DESIGN	LYQ	DATE	2022.12.06
SCALE	1:1	LINEAR 0--18 ±0.1 >18--80 ±0.15 >80--250 ±0.2 ANGLE x° ±0.5°		CHECKED	LML	DATE	2022.12.06
PROJ.				REV.	AO	PAGE	2/2