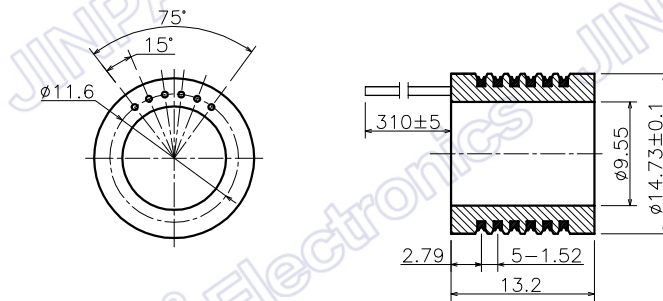


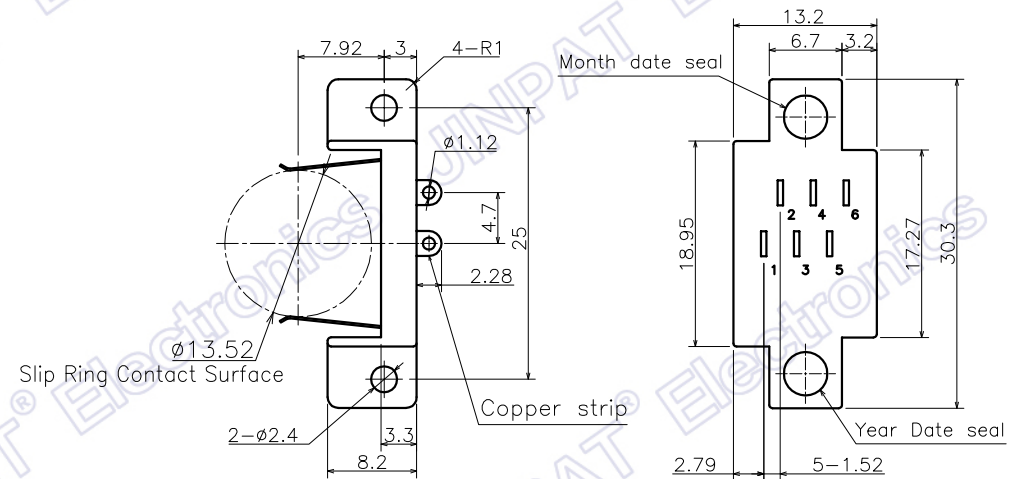
标记	变更内容	时间	修改

此文件属深圳市晶沛电子有限公司（以下简称“晶沛”）所有，它借出去后必须应要求及时归还，此文件内容是保密的，属晶沛公司商业机密的一部份，此文件不管是形式还是内容都不得在未经晶沛提前书面许可的前提下由任何单位或个人抄袭或出版。
深圳市晶沛电子有限公司2022版权所有

LPS-06C-R Dimensions

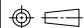


LPS-06C-S Dimensions



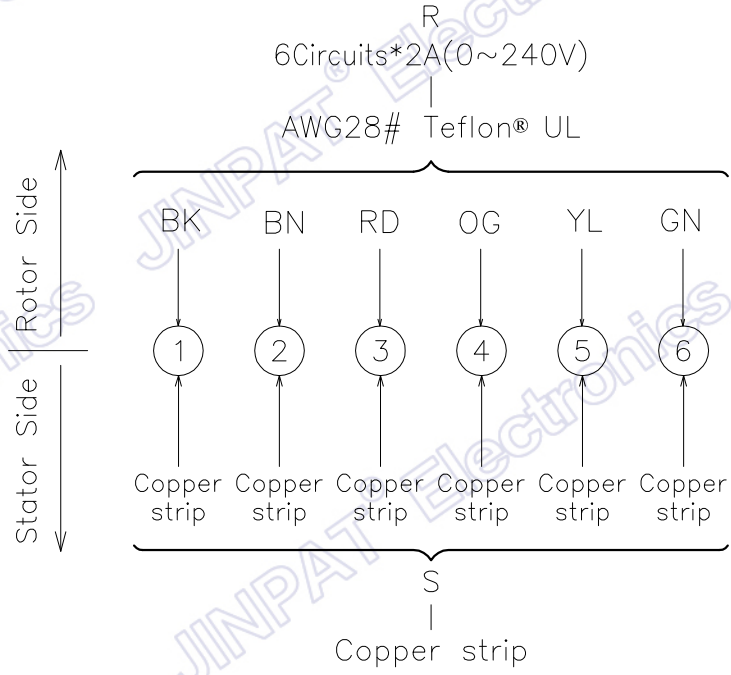
LPS-06C-R	Rotor	$\phi 14.73 \times 13.2$	1
LPS-06C-S	Stator	$30.3 \times 8.2 \times 13.2$	1
Model	Name	Specification	Quantity


JINPAT
www.slipring.cn

MODEL	LPS-06C						
Customer code				TITLE	Outline Drawing		
UNIT	mm	TOL UNLESS SPECIFIED		DESIGN	LYQ	DATE	2022.12.06
SCALE	1:1	LINEAR 0--18 ± 0.1 >18--80 ± 0.15 >80--250 ± 0.2		CHECKED	LML	DATE	2022.12.06
PROJ.		ANGLE x' $\pm 0.5'$		REV.	AO	PAGE	1/2

MARK	CONTENT OF AMENDMENT	DATE	DRAW

This document is the property of JINPAT Electronics Co., Ltd (ShenZhen) (Hereafter "JINPAT"). It is lent and is to be returned upon request. The contents of this document are confidential and constitute trade secrets proprietary to JINPAT. Its contents document nor its contents shall be disclosed to any unauthorized person copied or published without JINPAT prior written consent.
 COPY RIGHT © 2022 JINPAT ELECTRONICS Co., Ltd (ShenZhen).



Electronic & Electric		Mechanical		
Circuits	Total	6 CKT	Working Speed	0~100rpm
	Detail	6x2A	Contact Material	Gold to Gold
Rating Voltage		0~240V AC/DC	Housing Material	Engineering plastics (Peacock Blue)
Dielectric Strength		≥500VAC@50Hz	Lead Wire Length	Rotor: 310±5mm Stator: Copper strip
Insulation Resistance		≥100MΩ@500VDC	Electrical Noise	≤35mΩ (Operate at 5 rpm)
Environment		Remarks		
Working Temperature	-20°C~+60°C	Application	/	
Working Humidity	≤60%RH	Other	/	
IP	IP00			

JINPAT
www.slipring.cn

MODEL	LPS-06C						
Customer code	TITLE			Wiring Diagram			
UNIT	mm	TOL UNLESS SPECIFIED		DESIGN	LYQ	DATE	2022.12.06
SCALE	1:1	LINEAR 0-18 ±0.1 >18-80 ±0.15 >80-250 ±0.2 ANGLE x° ±0.5°		CHECKED	LML	DATE	2022.12.06
PROJ.		REV.	AO	PAGE	2/2		