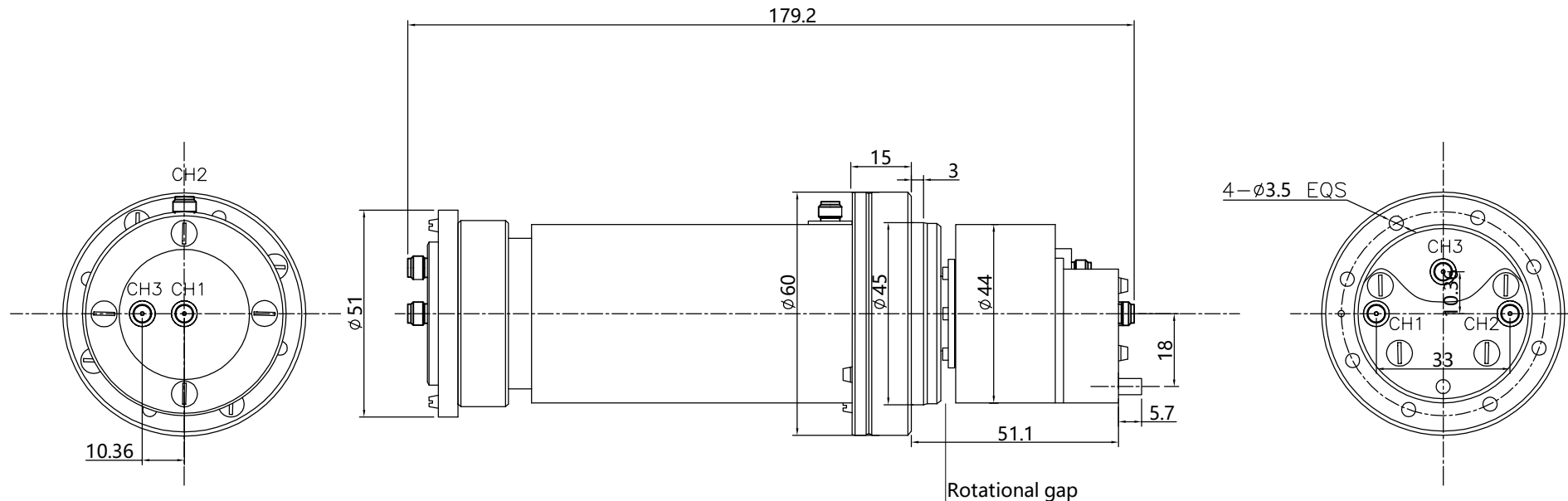



MARK	CONTENT OF MENDMENT	DATE	DRAW

This document is the property of JINPAT Electronics Co., Ltd (ShenZhen) (Hereafter"JINPAT"). It is lent and is to be returned upon request. The contents of this document are confidential and constitute trade secrets propriety to JINPAT. Its contents document nor its contents shall be disclosed to any unauthorized person copied or published without JINPAT prior written consent.
COPY RIGHT @ 2019 JINPAT ELECTRONICS Co.,Ltd (ShenZhen)

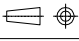


Specifications

Channel	CH1	CH2	CH3	Starting Torque	10Ncm@room temperature
Interface Type	SMA-K (50欧姆)	SMA-K (50欧姆)	SMA-K (50欧姆)	Continuous Rotational Torque	2Ncm@room temperature
Type	I	I	I	Rotating Speed, Max.	60rpm
Frequency Range	DC-3GHz	DC-3GHz	DC-3GHz	Life Time, Min.	10 million Revolutions
Peak Power, Max.	1000W	1000W	1000W	Body Material	Aluminum alloy
Average Power, Max.	50W	50W	50W	Case surface finish	Chromate conversion coat
VSWR, Max.	1.3	2.0	2.0	Weight, approx	700g
VSWR WOW	0.18	0.18	0.1	IP Protection Level	IP50
Insertion Loss, Max.	0.75dB	0.75dB	0.75dB	Operation Temperature	-30 ~ +55°C
Insertion Loss WOW	0.15dB	0.15dB	0.15dB	Storage Temperature	-40 ~ +70°C
Isolation, min.		60dB		Humidity (Operation)	95%
Phase WOW		/		Humidity (Storage)	95%



JINPAT Electronics Co.,Ltd(ShenZhen)
晶沛电子有限公司 (深圳)

单位 UNIT	mm	TOL UNLESS SPECIFIED 非特殊公差如下		型号 MODEL	LPHF-03A	
比例 SCALE	1:1	LINEAR(线性) 0-18 ±0.1 >18-80 ±0.15 >80-250 ±0.2		名称 TITLE	Coaxial Rotary Joint	
视角 PROJ.		ANGLE(角度) * ±0.5°		编号 PART NO.	IHFM030301	
设计 DESIGN	XHH	日期 DATE	2019.11.13	材料 MATERIAL	/	
审核 CHECKED	CRJ	日期 DATE	2019.11.13	表面要求 FINISHED	/	
工艺 TECHNICIS	PXF	日期 DATE	2019.11.13	版本 VERSION	A0	页数 PAGES 1/1
标准化 STANDARD	GMH	日期 DATE	2019.11.13			