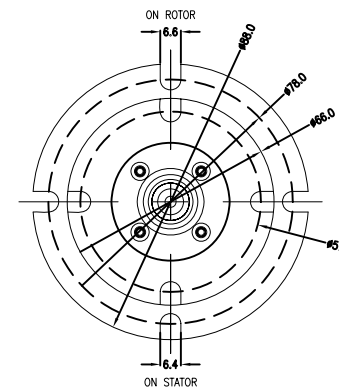
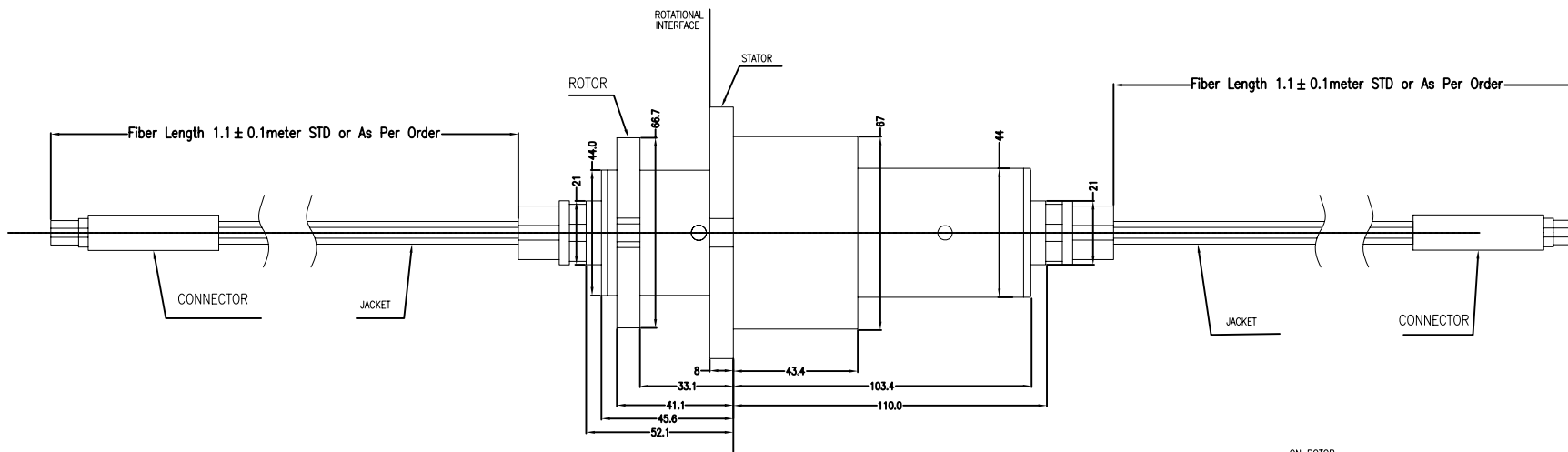


MARK	CONTENT OF AMENDMENT	DATE	DRAW

This document is the property of JINPAT Electronics Co., Ltd (ShenZhen) (Hereafter "JINPAT"). It is lent and is to be returned upon request. The contents of this document are confidential and constitute trade secrets propriety to JINPAT. Its contents document nor its contents shall be disclosed to any unauthorized person copied or published without JINPAT prior written consent.
COPY RIGHT © 2018 JINPAT ELECTRONICS Co., Ltd (ShenZhen).



Specifications

Fiber types	Single or multimode	Fiber types	MM : 50/125um, 62.5/125um SM : 9/125um
Channel number	8	Connector types	FC/SC/ST/LC(PC or APC)
Wavelength range	SM:1310-1550nm MM:850-1300nm	Estimated life cycle	200 million revolutions
Insertion loss	< 4dB	Vibration	MIL-STD-167-1A
Insertion loss ripple	< 2dB	Mechanical shock	MIL-STD-810G
Return loss	≥ 55dB	IP	IP65
Max Optical power	23dBm		
Maximum speed	400rpm		
Working temperature	-20 ~ 60°C (-40 ~ +75°C Can be customized)		
Storage temperature	-50 ~ +85°C		
Package style	Pigtails on both ends		
Weight, approx	1400g (No tail cable and connection included)		
Jacket types	0.9/2/3mm(PVC or Kevlar)		



JINPAT
www.slipring.cn

MODEL	LPFO-08N-A						
Customer code	/	TITLE	Outline Drawing				
UNIT	mm	TOL UNLESS SPECIFIED LINEAR 0--18 ?1 >18--80 ?1.5 >80--250 ?2 ANGLE ?5'	DESIGN	HY	DATE	2018.9.17	
SCALE	1:1		CHECKED	CRJ	DATE	2018.9.17	
PROJ.		REV.	A0	PAGE	1/1		