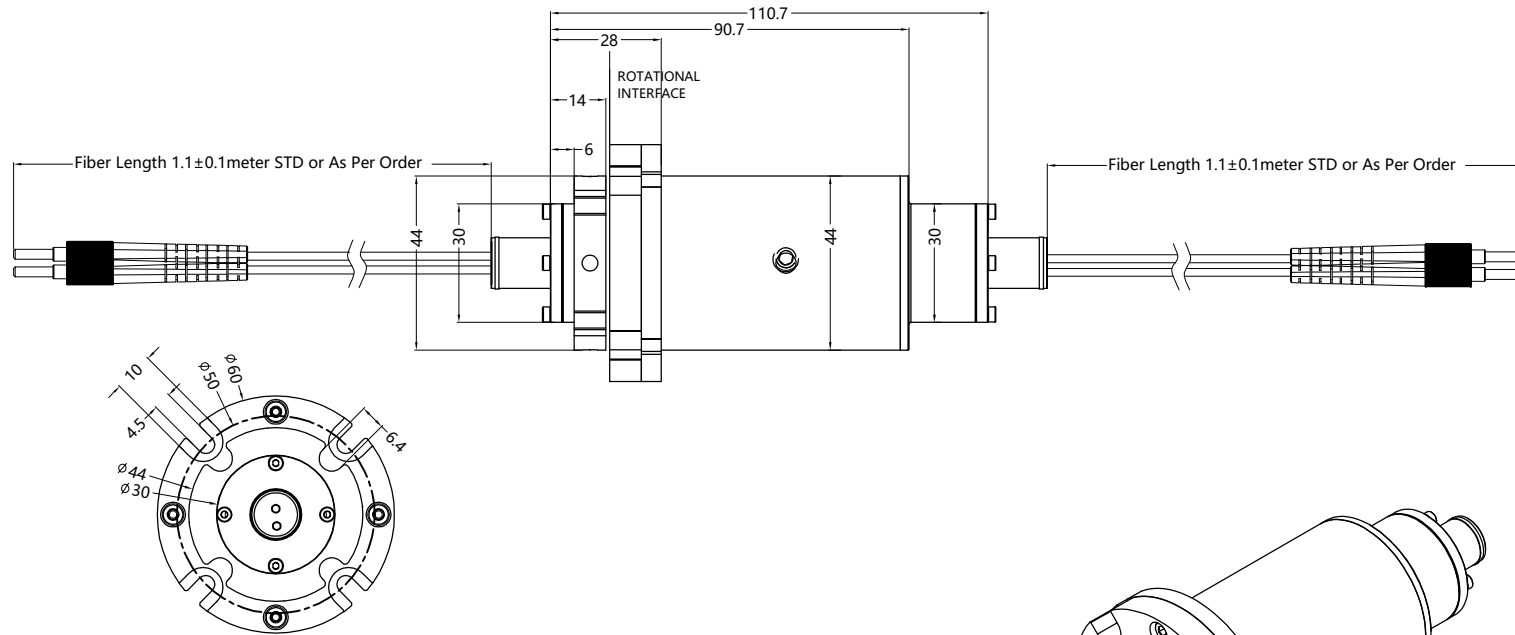


MARK	CONTENT OF AMENDMENT	DATE	DRAW

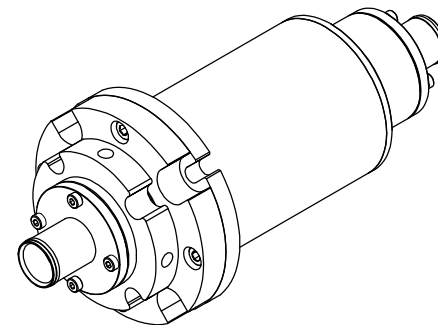
This document is the property of JINPAT Electronics Co., Ltd (ShenZhen) (Hereafter "JINPAT"). It is lent and is to be returned upon request. The contents of this document are confidential and constitute trade secrets proprietary to JINPAT. Its contents document nor its contents shall be disclosed to any unauthorized person copied or published without JINPAT prior written consent.
COPY RIGHT @ 2019 JINPAT ELECTRONICS Co., Ltd (ShenZhen).

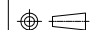


Specifications

Fiber types	SM or MM	Maximum speed	200rpm
Channel number	3	Package style	Pigtails on both ends
Wavelength range	SM:1310-1550nm MM:850/1300nm	Weight, approx	200g (No tail cable and connection included)
Insertion loss	< 5dB	Jacket types	2.0mm (Kevlar/TPU or armor)
Insertion loss ripple	< 2dB	Connector types	FC/SC/ST/LC(PC or APC)
Return loss	SM:≥45dB MM:≥30dB	Estimated life cycle	> 100 million revolutions
Crosstalk	≥50dB	Vibration	/
Max Optical power	23dBm	Mechanical shock	/
Working temperature	-20~+65°C	IP rating	IP65 or IP68
Storage temperature	-55~+85°C		


JINPAT
www.slipring.cn



MODEL	LPFO-03A					
Customer code	/		TITLE	Outline Drawing		
UNIT	mm	TOL UNLESS SPECIFIED LINEAR 0-18 ±0.5 >18-80 ±1 >80-250 ±1.5 ANGLE x° ±0.5°	DESIGN	HY	DATE	2019.11.17
SCALE	1:1		CHECKED	CRJ	DATE	2019.11.17
PROJ.			REV.	A0	PAGE	1/1